



Chipsmall Limited consists of a professional team with an average of over 10 year of expertise in the distribution of electronic components. Based in Hongkong, we have already established firm and mutual-benefit business relationships with customers from,Europe,America and south Asia,supplying obsolete and hard-to-find components to meet their specific needs.

With the principle of “Quality Parts,Customers Priority,Honest Operation,and Considerate Service”,our business mainly focus on the distribution of electronic components. Line cards we deal with include Microchip,ALPS,ROHM,Xilinx,Pulse,ON,Everlight and Freescale. Main products comprise IC,Modules,Potentiometer,IC Socket,Relay,Connector.Our parts cover such applications as commercial,industrial, and automotives areas.

We are looking forward to setting up business relationship with you and hope to provide you with the best service and solution. Let us make a better world for our industry!



Contact us

Tel: +86-755-8981 8866 Fax: +86-755-8427 6832

Email & Skype: info@chipsmall.com Web: www.chipsmall.com

Address: A1208, Overseas Decoration Building, #122 Zhenhua RD., Futian, Shenzhen, China



USB 2.0 Hub and 10/100 Ethernet Controller

Highlights

- Four downstream ports, one upstream port
 - Four integrated downstream USB 2.0 PHYs
 - One integrated upstream USB 2.0 PHY
- Integrated 10/100 Ethernet MAC with full-duplex support
- Integrated 10/100 Ethernet PHY with HP Auto-MDIX
- Implements Reduced Power Operating Modes
- Minimized BOM Cost
 - Single 25 MHz crystal (Eliminates cost of separate crystals for USB and Ethernet)
 - Built-in Power-On-Reset (POR) circuit (Eliminates requirement for external passive or active reset)

Target Applications

- Desktop PCs
- Notebook PCs
- Printers
- Game Consoles
- Embedded Systems
- Docking Stations

Key Features

- USB Hub
 - Fully compliant with Universal Serial Bus Specification Revision 2.0
 - HS (480 Mbps), FS (12 Mbps), and LS (1.5 Mbps) compatible
 - Four downstream ports, one upstream port
 - Port mapping and disable support
 - Port Swap: Programmable USB diff-pair pin location
 - PHY Boost: Programmable USB signal drive strength
 - Select presence of a permanently hardwired USB peripheral device on a port by port basis
 - Advanced power saving features
 - Downstream PHY goes into low power mode when port power to the port is disabled
 - Full Power Management with individual or ganged power control of each downstream port.
 - Integrated USB termination Pull-up/Pull-down resistors
 - Internal short circuit protection of USB differential signal pins

Key Features (continued)

- High-Performance 10/100 Ethernet Controller
 - Fully compliant with IEEE802.3/802.3u
 - Integrated Ethernet MAC and PHY
 - 10BASE-T and 100BASE-TX support
 - Full- and half-duplex support with flow control
 - Preamble generation and removal
 - Automatic 32-bit CRC generation and checking
 - Automatic payload padding and pad removal
 - Loop-back modes
 - TCP/UDP checksum offload support
 - Flexible address filtering modes
 - One 48-bit perfect address
 - 64 hash-filtered multicast addresses
 - Pass all multicast
 - Promiscuous mode
 - Inverse filtering
 - Pass all incoming with status report
 - Wakeup packet support
 - Integrated Ethernet PHY
 - Auto-negotiation, HP Auto-MDIX
 - Automatic polarity detection and correction
 - Energy Detect
- Power and I/Os
 - Three PHY LEDs
 - Eight GPIOs
 - Supports bus-powered and self-powered operation
 - Internal 1.8v core supply regulator
 - External 3.3v I/O supply
- Miscellaneous features
 - Optional EEPROM
 - Optional 24MHz reference clock output for partner hub
 - IEEE 1149.1 (JTAG) Boundary Scan
- Software
 - Windows 2000/XP/Vista Driver
 - Linux Driver
 - Win CE Driver
 - MAC OS Driver
 - EEPROM Utility
- Packaging
 - 64-pin QFN, lead-free RoHS compliant
- Environmental
 - Commercial Temperature Range (0°C to +70°C)
 - Industrial Temperature Range (-40°C to +85°C)
 - ±8 kV HBM without External Protection Devices
 - ±8 kV contact mode (IEC61000-4-2)
 - ±15 kV air-gap discharge mode (IEC61000-4-2)

TO OUR VALUED CUSTOMERS

It is our intention to provide our valued customers with the best documentation possible to ensure successful use of your Microchip products. To this end, we will continue to improve our publications to better suit your needs. Our publications will be refined and enhanced as new volumes and updates are introduced.

If you have any questions or comments regarding this publication, please contact the Marketing Communications Department via E-mail at docerrors@microchip.com. We welcome your feedback.

Most Current Data Sheet

To obtain the most up-to-date version of this data sheet, please register at our Worldwide Web site at:

<http://www.microchip.com>

You can determine the version of a data sheet by examining its literature number found on the bottom outside corner of any page. The last character of the literature number is the version number, (e.g., DS30000000A is version A of document DS30000000).

Errata

An errata sheet, describing minor operational differences from the data sheet and recommended workarounds, may exist for current devices. As device/documentation issues become known to us, we will publish an errata sheet. The errata will specify the revision of silicon and revision of document to which it applies.

To determine if an errata sheet exists for a particular device, please check with one of the following:

- Microchip's Worldwide Web site; <http://www.microchip.com>
- Your local Microchip sales office (see last page)

When contacting a sales office, please specify which device, revision of silicon and data sheet (include -literature number) you are using.

Customer Notification System

Register on our web site at www.microchip.com to receive the most current information on all of our products.

Table of Contents

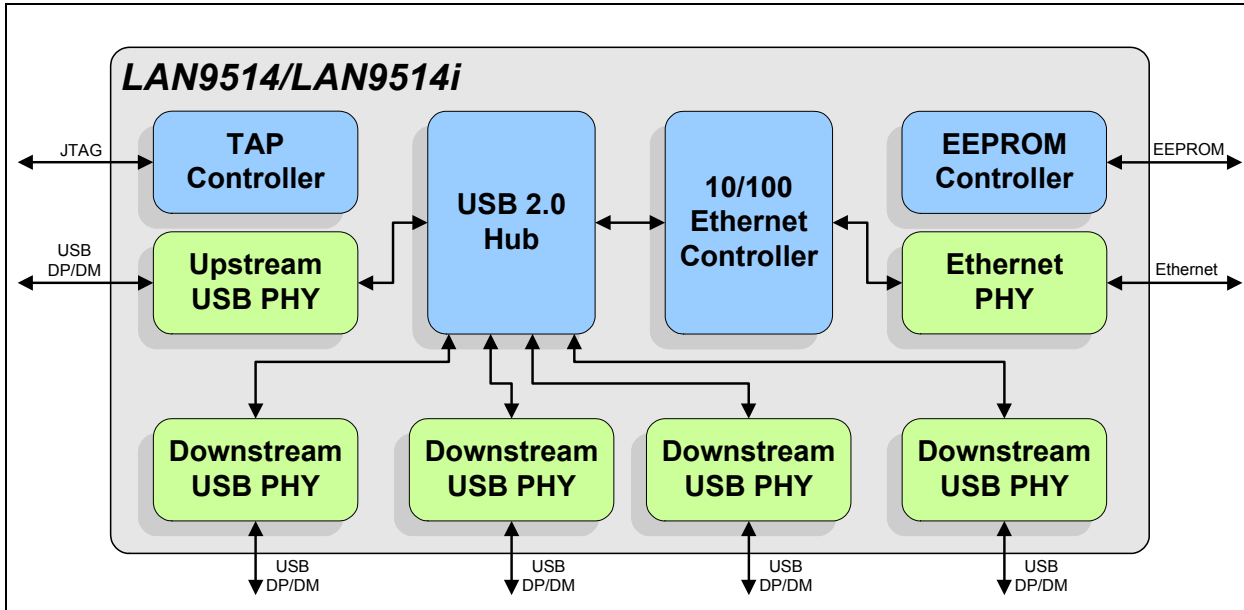
| | |
|--|----|
| 1.0 Introduction | 4 |
| 2.0 Pin Description and Configuration | 6 |
| 3.0 EEPROM Controller (EPC) | 19 |
| 4.0 Operational Characteristics | 38 |
| 5.0 Package Outline | 47 |
| Appendix A: Datasheet Revision History | 49 |
| The Microchip Web Site | 51 |
| Customer Change Notification Service | 51 |
| Customer Support | 51 |
| Product Identification System | 52 |

LAN9514/LAN9514i

1.0 INTRODUCTION

1.1 Block Diagram

FIGURE 1-1: INTERNAL BLOCK DIAGRAM



1.1.1 OVERVIEW

The LAN9514/LAN9514i is a high performance Hi-Speed USB 2.0 hub with a 10/100 Ethernet controller. With applications ranging from embedded systems, desktop PCs, notebook PCs, printers, game consoles, and docking stations, the LAN9514/LAN9514i is targeted as a high performance, low cost USB/Ethernet and USB/USB connectivity solution.

The LAN9514/LAN9514i contains an integrated USB 2.0 hub, four integrated downstream USB 2.0 PHYs, an integrated upstream USB 2.0 PHY, a 10/100 Ethernet PHY, a 10/100 Ethernet Controller, a TAP controller, and a EEPROM controller. A block diagram of the LAN9514/LAN9514i is provided in [Figure 1-1](#).

The LAN9514/LAN9514i hub provides over 30 programmable features, including:

- **PortMap** (also referred to as port remap) which provides flexible port mapping and disabling sequences. The downstream ports of the LAN9514/LAN9514i hub can be reordered or disabled in any sequence to support multiple platform designs' with minimum effort. For any port that is disabled, the LAN9514/LAN9514i automatically reorders the remaining ports to match the USB host controller's port numbering scheme.
- **PortSwap** which adds per-port programmability to USB differential pair pin locations. PortSwap allows direct alignment of USB signals (D+/D-) to connectors avoiding uneven trace length or crossing of the USB differential signals on the PCB.
- **PHYBoost** which enables four programmable levels of USB signal drive strength in USB port transceivers. PHY-Boost attempts to restore USB signal integrity that has been compromised by system level variables such as poor PCB layout, long cables, etc.

1.1.2 USB HUB

The integrated USB hub is fully compliant with the USB 2.0 Specification and will attach to a USB host as a Full-Speed Hub or as a Full-/High-Speed Hub. The hub supports Low-Speed, Full-Speed, and High-Speed (if operating as a High-Speed hub) downstream devices on all of the enabled downstream ports.

A dedicated Transaction Translator (TT) is available for each downstream facing port. This architecture ensures maximum USB throughput for each connected device when operating with mixed-speed peripherals.

The hub works with an external USB power distributed switch device to control V_{BUS} switching to downstream ports, and to limit current and sense over-current conditions.

All required resistors on the USB ports are integrated into the hub. This includes all series termination resistors on D+ and D- pins and all required pull-down and pull-up resistors on D+ and D- pins. The over-current sense inputs for the downstream facing ports have internal pull-up resistors.

Four external ports are available for general USB device connectivity.

1.1.3 ETHERNET CONTROLLER

The 10/100 Ethernet controller provides an integrated Ethernet MAC and PHY which are fully IEEE 802.3 10BASE-T and 802.3u 100BASE-TX compliant. The 10/100 Ethernet controller also supports numerous power management wakeup features, including “Magic Packet”, “Wake on LAN” and “Link Status Change”. These wakeup events can be programmed to initiate a USB remote wakeup.

The 10/100 Ethernet PHY integrates an IEEE 802.3 physical layer for twisted pair Ethernet applications. The PHY block includes support for auto-negotiation, full or half-duplex configuration, auto-polarity correction and Auto-MDIX. Minimal external components are required for the utilization of the integrated PHY.

The Ethernet controller implements four USB endpoints: Control, Interrupt, Bulk-in, and Bulk-out. The Bulk-in and Bulk-out Endpoints allow for Ethernet reception and transmission respectively. Implementation of vendor-specific commands allows for efficient statistics gathering and access to the Ethernet controller’s system control and status registers.

1.1.4 EEPROM CONTROLLER

The LAN9514/LAN9514i contains an EEPROM controller for connection to an external EEPROM. This allows for the automatic loading of static configuration data upon power-on reset, pin reset, or software reset. The EEPROM can be configured to load USB descriptors, USB device configuration, and the MAC address.

1.1.5 PERIPHERALS

The LAN9514/LAN9514i also contains a TAP controller, and provides three PHY LED indicators, as well as eight general purpose I/O pins. All GPIOs can serve as remote wakeup events when LAN9514/LAN9514i is in a suspended state.

The integrated IEEE 1149.1 compliant TAP controller provides boundary scan via JTAG.

1.1.6 POWER MANAGEMENT

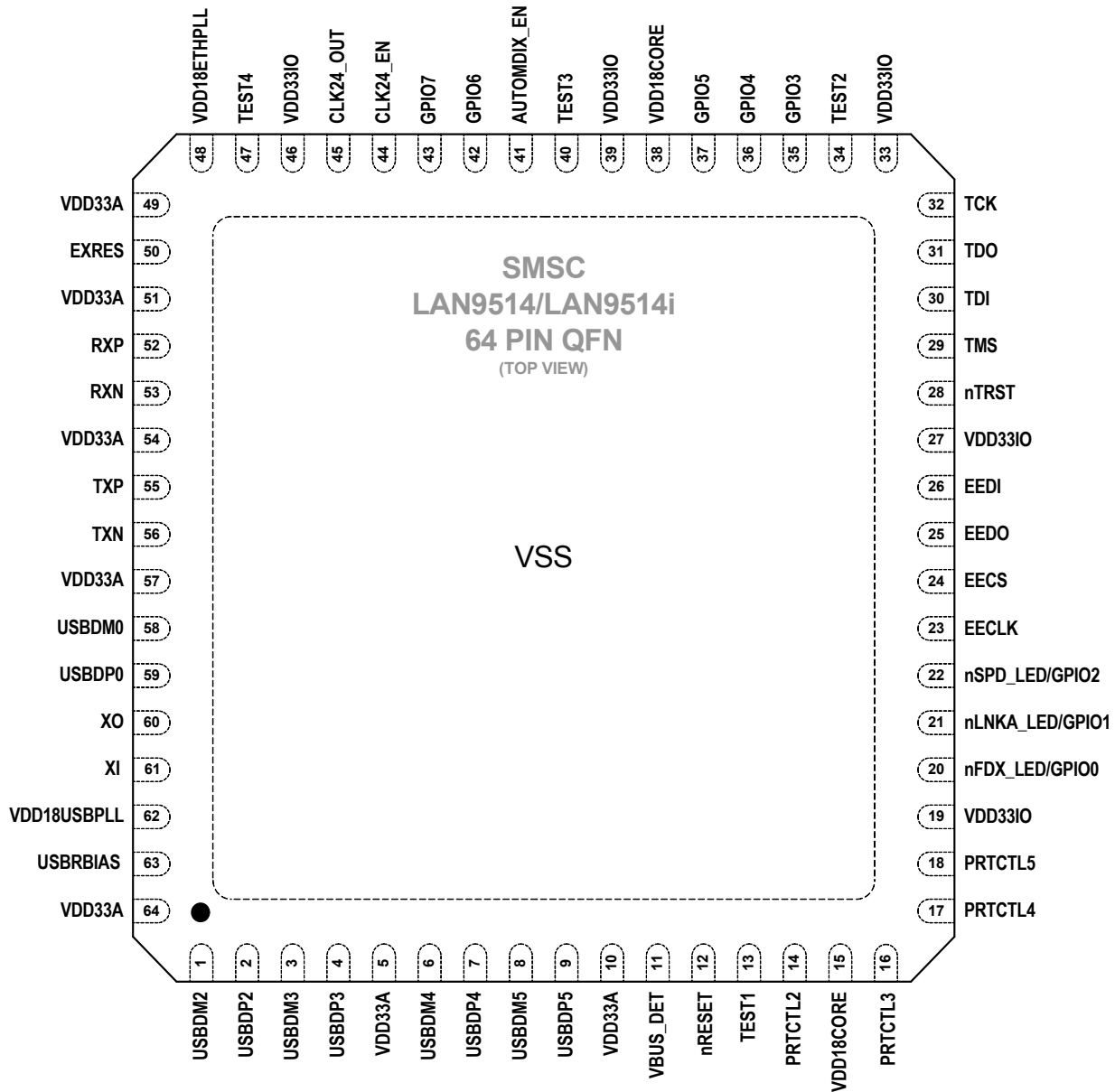
The LAN9514/LAN9514i features three variations of USB suspend: SUSPEND0, SUSPEND1, and SUSPEND2. These modes allow the application to select the ideal balance of remote wakeup functionality and power consumption.

- **SUSPEND0:** Supports GPIO, “Wake On LAN”, and “Magic Packet” remote wakeup events. This suspend state reduces power by stopping the clocks of the MAC and other internal modules.
- **SUSPEND1:** Supports GPIO and “Link Status Change” for remote wakeup events. This suspend state consumes less power than SUSPEND0.
- **SUSPEND2:** Supports only GPIO assertion for a remote wakeup event. This is the default suspend mode for the LAN9514/LAN9514i.

LAN9514/LAN9514I

2.0 PIN DESCRIPTION AND CONFIGURATION

FIGURE 2-1: LAN9514/LAN9514I 64-QFN PIN ASSIGNMENTS (TOP VIEW)



NOTE: When HP Auto-MDIX is activated, the TXN/TXP pins can function as RXN/RXP and vice-versa

NOTE: Exposed pad (VSS) on bottom of package must be connected to ground

TABLE 2-1: EEPROM PINS

| Num PINS | Name | Symbol | Buffer Type | Description |
|----------|--------------------|--------|-------------|--|
| 1 | EEPROM Data In | EEDI | IS (PD) | This pin is driven by the EEDO output of the external EEPROM. |
| 1 | EEPROM Data Out | EEDO | O8 | This pin drives the EEDI input of the external EEPROM. |
| 1 | EEPROM Chip Select | EECS | O8 | This pin drives the chip select output of the external EEPROM. |
| 1 | EEPROM Clock | EECLK | O8 | This pin drives the EEPROM clock of the external EEPROM. |

TABLE 2-2: JTAG PINS

| Num PINS | Name | Symbol | Buffer Type | Description |
|----------|-----------------------|--------|-------------|--|
| 1 | JTAG Test Port Reset | nTRST | IS | This active low pin functions as the JTAG test port reset input. Note: This pin should be tied high if it is not used. |
| 1 | JTAG Test Mode Select | TMS | IS | This pin functions as the JTAG test mode select. |
| 1 | JTAG Test Data Input | TDI | IS | This pin functions as the JTAG data input. |
| 1 | JTAG Test Data Out | TDO | O12 | This pin functions as the JTAG data output. |
| 1 | JTAG Test Clock | TCK | IS | This pin functions as the JTAG test clock. This pin should be tied high through a 10 kΩ resistor. |

LAN9514/LAN9514I

TABLE 2-3: MISCELLANEOUS PINS

| Num PINS | Name | Symbol | Buffer Type | Description |
|----------|--------------------------------------|-----------|------------------|--|
| 1 | System Reset | nRESET | IS | This active low pin allows external hardware to reset the device. Note: This pin should be tied high if it is not used. |
| 1 | Ethernet Full-Duplex Indicator LED | nFDX_LED | OD12 (PU) | This pin is driven low (LED on) when the Ethernet link is operating in full-duplex mode. |
| | General Purpose I/O 0 | GPIO0 | IS/O12/OD12 (PU) | This General Purpose I/O pin is fully programmable as either a push-pull output, an open-drain output, or a Schmitt-triggered input. |
| 1 | Ethernet Link Activity Indicator LED | nLNKA_LED | OD12 (PU) | This pin is driven low (LED on) when a valid link is detected. This pin is pulsed high (LED off) for 80 mS whenever transmit or receive activity is detected. This pin is then driven low again for a minimum of 80 mS, after which time it will repeat the process if TX or RX activity is detected. Effectively, LED2 is activated solid for a link. When transmit or receive activity is sensed, LED2 will function as an activity indicator. |
| | General Purpose I/O 1 | GPIO1 | IS/O12/OD12 (PU) | This General Purpose I/O pin is fully programmable as either a push-pull output, an open-drain output, or a Schmitt-triggered input. |
| 1 | Ethernet Speed Indicator LED | nSPD_LED | OD12 (PU) | This pin is driven low (LED on) when the Ethernet operating speed is 100 Mbs, or during auto-negotiation. This pin is driven high during 10Mbs operation, or during line isolation. |
| | General Purpose I/O 2 | GPIO2 | IS/O12/OD12 (PU) | This General Purpose I/O pin is fully programmable as either a push-pull output, an open-drain output, or a Schmitt-triggered input. |
| 1 | General Purpose I/O 3 | GPIO3 | IS/O8/OD8 (PU) | This General Purpose I/O pin is fully programmable as either a push-pull output, an open-drain output, or a Schmitt-triggered input. |
| 1 | General Purpose I/O 4 | GPIO4 | IS/O8/OD8 (PU) | This General Purpose I/O pin is fully programmable as either a push-pull output, an open-drain output, or a Schmitt-triggered input. |
| 1 | General Purpose I/O 5 | GPIO5 | IS/O8/OD8 (PU) | This General Purpose I/O pin is fully programmable as either a push-pull output, an open-drain output, or a Schmitt-triggered input. |
| 1 | General Purpose I/O 6 | GPIO6 | IS/O8/OD8 (PU) | This General Purpose I/O pin is fully programmable as either a push-pull output, an open-drain output, or a Schmitt-triggered input. |
| 1 | General Purpose I/O 7 | GPIO7 | IS/O8/OD8 (PU) | This General Purpose I/O pin is fully programmable as either a push-pull output, an open-drain output, or a Schmitt-triggered input. |

TABLE 2-3: MISCELLANEOUS PINS (CONTINUED)

| Num PINS | Name | Symbol | Buffer Type | Description |
|----------|----------------------------|--------------------|-------------|--|
| 1 | Detect Upstream VBUS Power | VBUS_DET | IS_5V | <p>This pin detects the state of the upstream bus power. The Hub monitors VBUS_DET to determine when to assert the USBDP0 pin's internal pull-up resistor (signaling a connect event).</p> <p>For bus-powered hubs, this pin must be tied to VDD33IO.</p> <p>For self-powered hubs where the device is permanently attached to a host, VBUS_DET should be pulled to VDD33IO. For other self-powered applications, refer to the device reference schematic for additional connection information.</p> |
| 1 | Auto-MDIX Enable | AUTOMDIX_EN | IS | <p>Determines the default Auto-MDIX setting.</p> <p>0 = Auto-MDIX is disabled. 1 = Auto-MDIX is enabled.</p> |
| 1 | Test 1 | TEST1 | — | Used for factory testing, this pin must always be left unconnected. |
| 1 | Test 2 | TEST2 | — | Used for factory testing, this pin must always be connected to VSS for proper operation. |
| 1 | Test 3 | TEST3 | — | Used for factory testing, this pin must always be connected to VDD33IO for proper operation. |
| 1 | 24 MHz Clock Enable | CLK24_EN | IS | This pin enables the generation of the 24 MHz clock on the CLK_24_OUT pin. |
| 1 | 24 MHz Clock | CLK24_OUT | 08 | This pin outputs a 24 MHz clock that can be used a reference clock for a partner hub. |
| 1 | Test 4 | TEST4 | — | Used for factory testing, this pin must always be left unconnected. |

TABLE 2-4: USB PINS

| Num PINS | Name | Symbol | Buffer Type | Description |
|----------|-------------------------|--------|-------------|--|
| 1 | Upstream USB DMINUS 0 | USBDM0 | AIO | Upstream USB DMINUS signal. |
| 1 | Upstream USB DPLUS 0 | USBDP0 | AIO | Upstream USB DPLUS signal. |
| 1 | Downstream USB DMINUS 2 | USBDM2 | AIO | Downstream USB peripheral 2 DMINUS signal. |
| 1 | Downstream USB DPLUS 2 | USBDP2 | AIO | Downstream USB peripheral 2 DPLUS signal. |

LAN9514/LAN9514I

TABLE 2-4: USB PINS (CONTINUED)

| Num PINS | Name | Symbol | Buffer Type | Description |
|----------|----------------------------|----------|--------------|--|
| 1 | Downstream USB DMINUS 3 | USBDM3 | AIO | Downstream USB peripheral 3 DMINUS signal. |
| 1 | Downstream USB DPLUS 3 | USBDP3 | AIO | Downstream USB peripheral 3 DPLUS signal. |
| 1 | Downstream USB DMINUS 4 | USBDM4 | AIO | Downstream USB peripheral 4 DMINUS signal. |
| 1 | Downstream USB DPLUS 4 | USBDP4 | AIO | Downstream USB peripheral 4 DPLUS signal. |
| 1 | Downstream USB DMINUS 5 | USBDM5 | AIO | Downstream USB peripheral 5 DMINUS signal. |
| 1 | Downstream USB DPLUS 5 | USBDP5 | AIO | Downstream USB peripheral 5 DPLUS signal. |
| 1 | USB Port Power Control 2 | PRTCTL2 | IS/OD12 (PU) | <p>When used as an output, this pin enables power to downstream USB peripheral 2.</p> <p>When used as an input, this pin is used to sample the output signal from an external current monitor for downstream USB peripheral 2. An overcurrent condition is indicated when the signal is low.</p> <p>Refer to Section 2.2 for additional information.</p> |
| 1 | USB Port Power Control 3 | PRTCTL3 | IS/OD12 (PU) | <p>When used as an output, this pin enables power to downstream USB peripheral 3.</p> <p>When used as an input, this pin is used to sample the output signal from an external current monitor for downstream USB peripheral 3. An overcurrent condition is indicated when the signal is low.</p> <p>Refer to Section 2.2 for additional information.</p> |
| 1 | USB Port Power Control 4 | PRTCTL4 | IS/OD12 (PU) | <p>When used as an output, this pin enables power to downstream USB peripheral 4.</p> <p>When used as an input, this pin is used to sample the output signal from an external current monitor for downstream USB peripheral 4. An overcurrent condition is indicated when the signal is low.</p> <p>Refer to Section 2.2 for additional information.</p> |
| 1 | USB Port Power Control 5 | PRTCTL5 | IS/OD12 (PU) | <p>When used as an output, this pin enables power to downstream USB peripheral 5.</p> <p>When used as an input, this pin is used to sample the output signal from an external current monitor for downstream USB peripheral 5. An overcurrent condition is indicated when the signal is low.</p> <p>Refer to Section 2.2 for additional information.</p> |
| 1 | External USB Bias Resistor | USBRBIAS | AI | Used for setting HS transmit current level and on-chip termination impedance. Connect to an external 12K 1.0% resistor to ground. |

LAN9514/LAN9514I

TABLE 2-4: USB PINS (CONTINUED)

| Num PINS | Name | Symbol | Buffer Type | Description |
|----------|----------------------------|-------------|-------------|--|
| 1 | USB PLL +1.8V Power Supply | VDD18USBPLL | P | Refer to the LAN9514/LAN9514i reference schematics for additional connection information. |
| 1 | Crystal Input | XI | ICLK | External 25 MHz crystal input. Note: This pin can also be driven by a single-ended clock oscillator. When this method is used, XO should be left unconnected |
| 1 | Crystal Output | XO | OCLK | External 25 MHz crystal output. |

TABLE 2-5: ETHERNET PHY PINS

| Num PINS | Name | Symbol | Buffer Type | Description |
|----------|---------------------------------|-------------|-------------|--|
| 1 | Ethernet TX Data Out Negative | TXN | AIO | Negative output of the Ethernet transmitter. The transmit data outputs may be swapped internally with receive data inputs when Auto-MDIX is enabled. |
| 1 | Ethernet TX Data Out Positive | TXP | AIO | Positive output of the Ethernet transmitter. The transmit data outputs may be swapped internally with receive data inputs when Auto-MDIX is enabled. |
| 1 | Ethernet RX Data In Negative | RXN | AIO | Negative input of the Ethernet receiver. The receive data inputs may be swapped internally with transmit data outputs when Auto-MDIX is enabled. |
| 1 | Ethernet RX Data In Positive | RXP | AIO | Positive input of the Ethernet receiver. The receive data inputs may be swapped internally with transmit data outputs when Auto-MDIX is enabled. |
| 7 | +3.3V Analog Power Supply | VDD33A | P | Refer to the LAN9514/LAN9514i reference schematics for connection information. |
| 1 | External PHY Bias Resistor | EXRES | AI | Used for the internal bias circuits. Connect to an external 12.4K 1.0% resistor to ground. |
| 1 | Ethernet PLL +1.8V Power Supply | VDD18ETHPLL | P | Refer to the LAN9514/LAN9514i reference schematics for additional connection information. |

LAN9514/LAN9514I

TABLE 2-6: I/O POWER PINS, CORE POWER PINS, AND GROUND PAD

| Num PINS | Name | Symbol | Buffer Type | Description |
|-------------------------------|--|-----------|-------------|--|
| 5 | +3.3V I/O Power | VDD33IO | P | +3.3V Power Supply for I/O Pins. Refer to the LAN9514/LAN9514i reference schematics for connection information. |
| 2 | Digital Core +1.8V Power Supply Output | VDD18CORE | P | +1.8V power from the internal core voltage regulator. All VDD18CORE pins must be tied together for proper operation. Refer to the LAN9514/LAN9514i reference schematics for connection information. |
| 1 Note 2-1 | Ground | VSS | P | Ground |

Note 2-1 Exposed pad on package bottom ([Figure 2-1](#)).

TABLE 2-7: 64-QFN PACKAGE PIN ASSIGNMENTS

| Pin Num | Pin Name | Pin Num | Pin Name | Pin Num | Pin Name | Pin Num | Pin Name |
|---------|----------|---------|---------------------|---------|-------------|---------|-------------|
| 1 | USBDM2 | 17 | PRTCTL4 | 33 | VDD33IO | 49 | VDD33A |
| 2 | USBDP2 | 18 | PRTCTL5 | 34 | TEST2 | 50 | EXRES |
| 3 | USBDM3 | 19 | VDD33IO | 35 | GPIO3 | 51 | VDD33A |
| 4 | USBDP3 | 20 | nFDX_LED/ GPIO0 | 36 | GPIO4 | 52 | RXP |
| 5 | VDD33A | 21 | nLNKA_LED/ GPIO1 | 37 | GPIO5 | 53 | RXN |
| 6 | USBDM4 | 22 | nSPD_LED/ GPIO2 | 38 | VDD18CORE | 54 | VDD33A |
| 7 | USBDP4 | 23 | EECLK | 39 | VDD33IO | 55 | TXP |
| 8 | USBDM5 | 24 | EECS | 40 | TEST3 | 56 | TXN |
| 9 | USBDP5 | 25 | EEDO | 41 | AUTOMDIX_EN | 57 | VDD33A |
| 10 | VDD33A | 26 | EEDI | 42 | GPIO6 | 58 | USBDM0 |
| 11 | VBUS_DET | 27 | VDD33IO | 43 | GPIO7 | 59 | USBDP0 |
| 12 | nRESET | 28 | nTRST | 44 | CLK24_EN | 60 | XO |
| 13 | TEST1 | 29 | TMS | 45 | CLK24_OUT | 61 | XI |
| 14 | PRTCTL2 | 30 | TDI | 46 | VDD33IO | 62 | VDD18USBPLL |

LAN9514/LAN9514I

TABLE 2-7: 64-QFN PACKAGE PIN ASSIGNMENTS (CONTINUED)

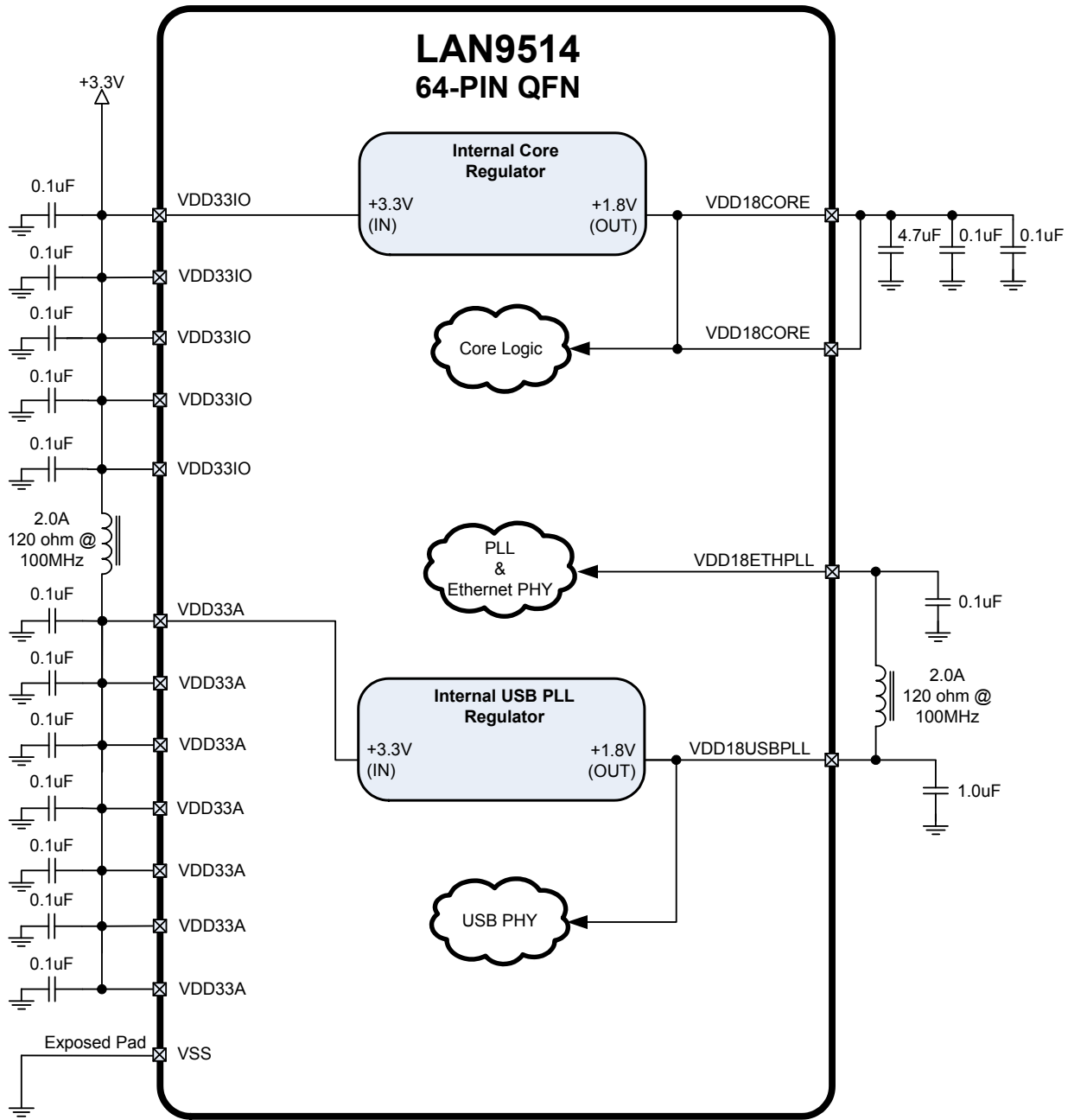
| Pin Num | Pin Name | Pin Num | Pin Name | Pin Num | Pin Name | Pin Num | Pin Name |
|---|-----------|---------|----------|---------|-------------|---------|----------|
| 15 | VDD18CORE | 31 | TDO | 47 | TEST4 | 63 | USBRBIAS |
| 16 | PRTCTL3 | 32 | TCK | 48 | VDD18ETHPLL | 64 | VDD33A |
| EXPOSED PAD MUST BE CONNECTED TO VSS | | | | | | | |

2.1 Power Connections

[Figure 2-2](#) illustrates the power connections for LAN9514/LAN9514i.

LAN9514/LAN9514I

FIGURE 2-2: POWER CONNECTIONS



2.2 Port Power Control

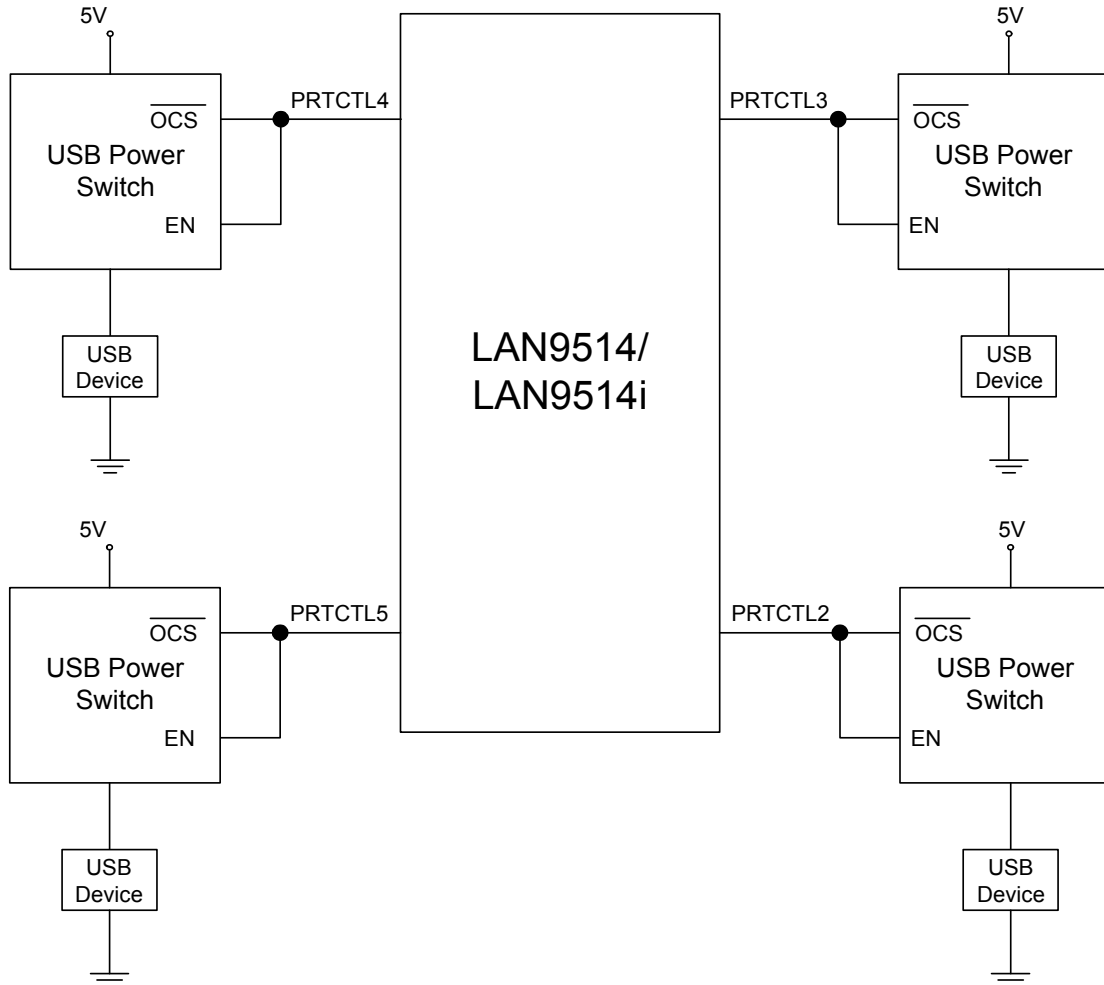
This section details the usage of the port power control pins PRTCTL[5:2].

2.2.1 PORT POWER CONTROL USING A USB POWER SWITCH

The LAN9514/LAN9514i has a single port power control and over-current sense signal for each downstream port. When disabling port power, the driver will actively drive a '0'. To avoid unnecessary power dissipation, the internal pull-up resistor will be disabled at that time. When port power is enabled, the output driver is disabled and the pull-up resistor is

enabled, creating an open drain output. If there is an over-current situation, the USB Power Switch will assert the open drain OCS signal. The Schmitt trigger input will recognize this situation as a low. The open drain output does not interfere. The overcurrent sense filter handles the transient conditions, such as low voltage, while the device is powering up.

FIGURE 2-3: PORT POWER CONTROL WITH USB POWER SWITCH



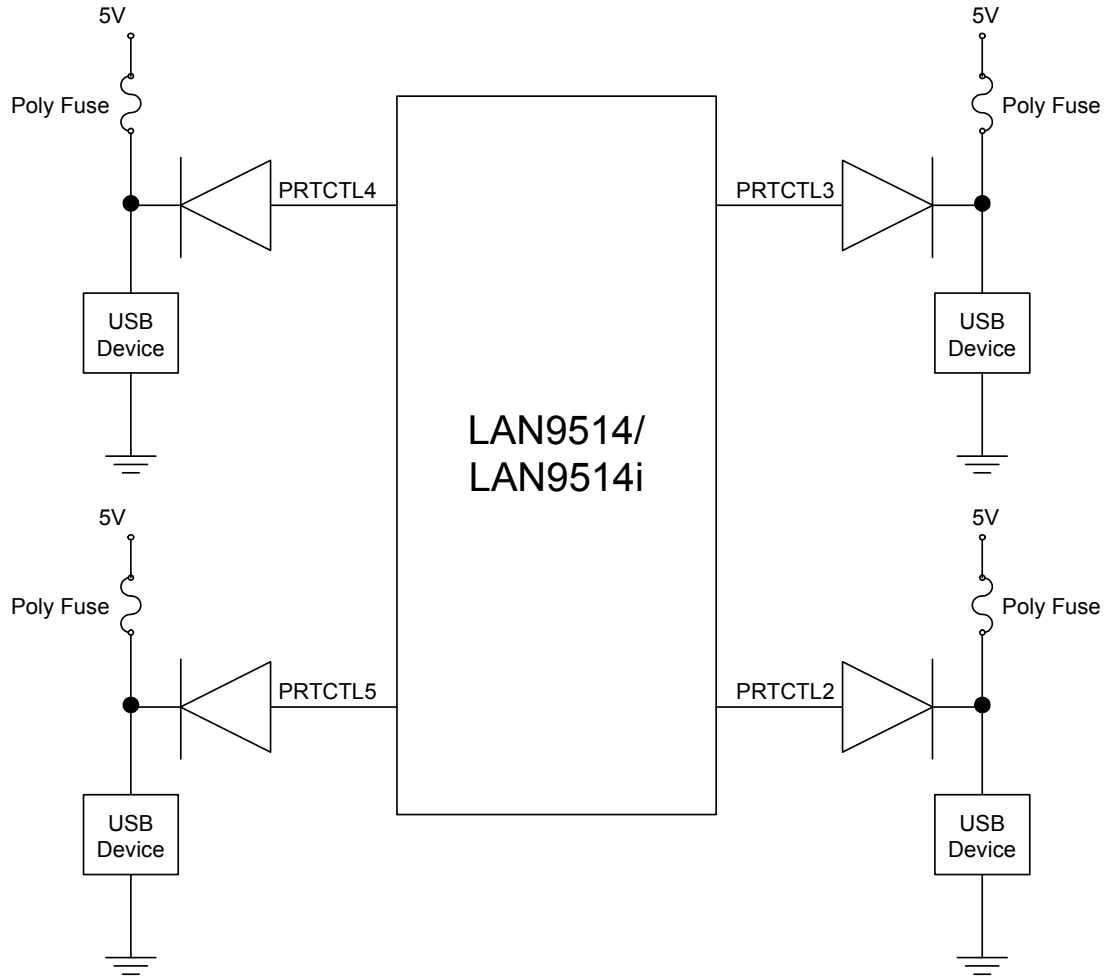
2.2.2 PORT POWER CONTROL USING A POLY FUSE

When using the LAN9514/LAN9514i with a poly fuse, an external diode must be used (See [Figure 2-4](#)). When disabling port power, the driver will drive a '0'. This procedure will have no effect since the external diode will isolate the pin from the load. When port power is enabled, the output driver is disabled and the pull-up resistor is enabled, which creates an open drain output. This means that the pull-up resistor is providing 3.3 volts to the anode of the diode. If there is an over-

LAN9514/LAN9514I

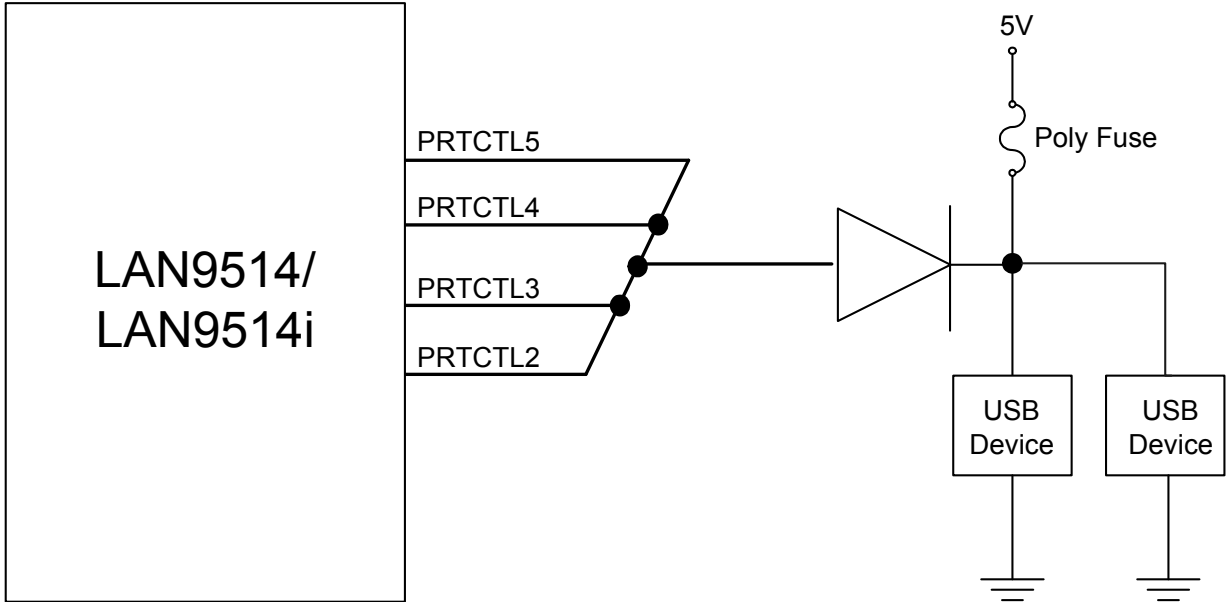
current situation, the poly fuse will open. This will cause the cathode of the diode to go to 0_volts. The anode of the diode will be at 0.7_volts, and the Schmidt trigger input will register this as a low, resulting in an overcurrent detection. The open drain output does not interfere.

FIGURE 2-4: PORT POWER CONTROL WITH POLY FUSE



Many customers use a single poly fuse to power all their devices. For the ganged situation, all power control pins must be tied together.

FIGURE 2-5: PORT POWER WITH GANGED CONTROL WITH POLY FUSE



2.3 Buffer Types

TABLE 2-8: BUFFER TYPES

| Buffer Type | Description |
|-------------|--|
| IS | Schmitt-triggered Input |
| IS_5V | 5V Tolerant Schmitt-triggered Input |
| O8 | Output with 8 mA sink and 8 mA source |
| OD8 | Open-drain output with 8 mA sink |
| O12 | Output with 12 mA sink and 12 mA source |
| OD12 | Open-drain output with 12 mA sink |
| PU | 50 μ A (typical) internal pull-up. Unless otherwise noted in the pin description, internal pull-ups are always enabled. Note: Internal pull-up resistors prevent unconnected inputs from floating. Do not rely on internal resistors to drive signals external to LAN9514/LAN9514i. When connected to a load that must be pulled high, an external resistor must be added. |

LAN9514/LAN9514I

TABLE 2-8: BUFFER TYPES (CONTINUED)

| Buffer Type | Description |
|-------------|---|
| PD | 50 μ A (typical) internal pull-down. Unless otherwise noted in the pin description, internal pull-downs are always enabled. Note: Internal pull-down resistors prevent unconnected inputs from floating. Do not rely on internal resistors to drive signals external to LAN9514/LAN9514i. When connected to a load that must be pulled low, an external resistor must be added. |
| AI | Analog input |
| AIO | Analog bidirectional |
| ICLK | Crystal oscillator input pin |
| OCLK | Crystal oscillator output pin |
| P | Power pin |

3.0 EEPROM CONTROLLER (EPC)

LAN9514/LAN9514i may use an external EEPROM to store the default values for the USB descriptors and the MAC address. The EEPROM controller supports most “93C46” type EEPROMs. A total of nine address bits are used to support 256/512 byte EEPROMs.

A 3-wire style 2K/4K EEPROM that is organized for 256/512 x 8-bit operation must be used.

The MAC address is used as the default Ethernet MAC address and is loaded into the MAC’s ADDRH and ADDRL registers. If a properly configured EEPROM is not detected, it is the responsibility of the Host LAN Driver to set the IEEE addresses.

After a system-level reset occurs, the device will load the default values from a properly configured EEPROM. The device will not accept USB transactions from the Host until this process is completed.

The EEPROM controller also allows the Host system to read, write and erase the contents of the Serial EEPROM.

3.1 EEPROM Format

Table 3-1 illustrates the format in which data is stored inside of the EEPROM.

Note the EEPROM offsets are given in units of 16-bit word offsets. A length field with a value of zero indicates that the field does not exist in the EEPROM. The device will use the field’s HW default value in this case.

Note: For Device Descriptors, the only valid values for the length are 0 and 18.

Note: For Configuration and Interface Descriptors, the only valid values for the length are 0 and 18.

Note: The EEPROM programmer must ensure that if a String Descriptor does not exist in the EEPROM, the referencing descriptor must contain 00h for the respective string index field.

Note: If no Configuration Descriptor is present in the EEPROM, then the Configuration Flags affect the values of bmAttributes and bMaxPower in the Ethernet Controller Configuration Descriptor.

Note: If all String Descriptor lengths are zero, then a Language ID will not be supported.

TABLE 3-1: EEPROM FORMAT

| EEPROM Address | EEPROM Contents |
|----------------|--|
| 00h | 0xA5 |
| 01h | MAC Address [7:0] |
| 02h | MAC Address [15:8] |
| 03h | MAC Address [23:16] |
| 04h | MAC Address [31:24] |
| 05h | MAC Address [39:32] |
| 06h | MAC Address [47:40] |
| 07h | Full-Speed Polling Interval for Interrupt Endpoint |
| 08h | Hi-Speed Polling Interval for Interrupt Endpoint |
| 09h | Configuration Flags |
| 0Ah | Language ID Descriptor [7:0] |
| 0Bh | Language ID Descriptor [15:8] |
| 0Ch | Manufacturer ID String Descriptor Length (bytes) |
| 0Dh | Manufacturer ID String Descriptor EEPROM Word Offset |

LAN9514/LAN9514I

TABLE 3-1: EEPROM FORMAT (CONTINUED)

| EEPROM Address | EEPROM Contents |
|----------------|--|
| 0Eh | Product Name String Descriptor Length (bytes) |
| 0Fh | Product Name String Descriptor EEPROM Word Offset |
| 10h | Serial Number String Descriptor Length (bytes) |
| 11h | Serial Number String Descriptor EEPROM Word Offset |
| 12h | Configuration String Descriptor Length (bytes) |
| 13h | Configuration String Descriptor Word Offset |
| 14h | Interface String Descriptor Length (bytes) |
| 15h | Interface String Descriptor Word Offset |
| 16h | Hi-Speed Device Descriptor Length (bytes) |
| 17h | Hi-Speed Device Descriptor Word Offset |
| 18h | Hi-Speed Configuration and Interface Descriptor Length (bytes) |
| 19h | Hi-Speed Configuration and Interface Descriptor Word Offset |
| 1Ah | Full-Speed Device Descriptor Length (bytes) |
| 1Bh | Full-Speed Device Descriptor Word Offset |
| 1Ch | Full-Speed Configuration and Interface Descriptor Length (bytes) |
| 1Dh | Full-Speed Configuration and Interface Descriptor Word Offset |
| 1Eh-1Fh | RESERVED |
| 20h | Vendor ID LSB Register (VIDL) |
| 21h | Vendor ID MSB Register (VIDM) |
| 22h | Product ID LSB Register (PIDL) |
| 23h | Product ID MSB Register (PIDM) |
| 24h | Device ID LSB Register (DIDL) |
| 25h | Device ID MSB Register (DIDM) |
| 26h | Config Data Byte 1 Register (CFG1) |
| 27h | Config Data Byte 2 Register (CFG2) |
| 28h | Config Data Byte 3 Register (CFG3) |
| 29h | Non-Removable Devices Register (NRD) |
| 2Ah | Port Disable (Self) Register (PDS) |
| 2Bh | Port Disable (Bus) Register (PDB) |
| 2Ch | Max Power (Self) Register (MAXPS) |
| 2Dh | Max Power (Bus) Register (MAXPB) |
| 2Eh | Hub Controller Max Current (Self) Register (HCMCS) |

TABLE 3-1: EEPROM FORMAT (CONTINUED)

| EEPROM Address | EEPROM Contents |
|----------------|---|
| 2Fh | Hub Controller Max Current (Bus) Register (HCMCB) |
| 30h | Power-on Time Register (PWRT) |
| 31h | Boost_Up Register (BOOSTUP) |
| 32h | Boost_5 Register (BOOST5) |
| 33h | Boost_4:2 Register (BOOST42) |
| 34h | RESERVED |
| 35h | Port Swap Register (PRTSP) |
| 36h | Port Remap 12 Register (PRTR12) |
| 37h | Port Remap 34 Register (PRTR34) |
| 38h | Port Remap 5 Register (PRTR5) |
| 39h | Status/Command Register (STCD) |

Note: EEPROM byte addresses past 39h can be used to store data for any purpose.

Table 3-2 describes the Configuration Flags

TABLE 3-2: CONFIGURATION FLAGS DESCRIPTION

| Bit | Name | Description |
|-----|-----------------------|--|
| 7:3 | RESERVED | 00000b |
| 2 | Remote Wakeup Support | 0 = The device does not support remote wakeup. 1 = The device supports remote wakeup. |
| 1 | RESERVED | 0b |
| 0 | Power Method | 0 = The device Controller is bus-powered. 1 = The device Controller is self-powered. |

3.1.1 HUB CONFIGURATION

EEPROM offsets 20h through 39h comprise the Hub Configuration parameters. Table 3-3 describes these parameters and their default ROM values (Values assumed if no valid EEPROM present).

TABLE 3-3: HUB CONFIGURATION

| EEPROM Offset | Description | Default |
|---------------|---|---------|
| 20h | Vendor ID LSB Register (VIDL) Least Significant Byte of the Vendor ID. This is a 16-bit value that uniquely identifies the Vendor of the user device (assigned by USB-Interface Forum). | 24h |

LAN9514/LAN9514I

TABLE 3-3: HUB CONFIGURATION (CONTINUED)

| EEPROM Offset | Description | Default |
|---------------|---|----------|
| 21h | Vendor ID MSB (VIDM) Most Significant Byte of the Vendor ID. This is a 16-bit value that uniquely identifies the Vendor of the user device (assigned by USB-Interface Forum). | 04h |
| 22h | Product ID LSB Register (PIDL) Least Significant Byte of the Product ID. This is a 16-bit value that the Vendor can assign that uniquely identifies this particular product (assigned by the OEM). | 14h |
| 23h | Product ID MSB Register (PIDM) Most Significant Byte of the Product ID. This is a 16-bit value that the Vendor can assign that uniquely identifies this particular product (assigned by the OEM). | 95h |
| 24h | Device ID LSB Register (DIDL) Least Significant Byte of the Device ID. This is a 16-bit device release number in BCD format (assigned by the OEM). | 00h |
| 25h | Device ID MSB Register (DIDM) Most Significant Byte of the Device ID. This is a 16-bit device release number in BCD format (assigned by the OEM). | Note 3-1 |
| 26h | Config Data Byte 1 Register (CFG1) Refer to Table 3-4, "Config Data Byte 1 Register (CFG1) Format," on page 28 for details. | 9Bh |
| 27h | Config Data Byte 2 Register (CFG2) Refer to Table 3-5, "Config Data Byte 2 Register (CFG2) Format," on page 29 for details. | 18h |
| 28h | Config Data Byte 3 Register (CFG3) Refer to Table 3-6, "Config Data Byte 3 Register (CFG3) Format," on page 29 for details. | 00h |
| 29h | Non-Removable Devices Register (NRD) Indicates which port(s) include non-removable devices. 0 = Port is removable 1 = Port is non-removable Informs the host if one of the active ports has a permanent device that is not detachable from the Hub. Note: The device must provide its own descriptor data. Bit 7 = RESERVED Bit 6 = RESERVED Bit 5 = 1; Port 5 non-removable Bit 4 = 1; Port 4 non-removable Bit 3 = 1; Port 3 non-removable Bit 2 = 1; Port 2 non-removable Bit 1 = 1; Port 1 non-removable Bit 0 is RESERVED, always = 0b Note: Bit 1 must be set to 1 by firmware for proper identification of the Ethernet Controller as a non-removable device. | 02h |

TABLE 3-3: HUB CONFIGURATION (CONTINUED)

| EEPROM Offset | Description | Default |
|---------------|--|---------|
| 2Ah | <p>Port Disable (Self) Register (PDS) Disables 1 or more ports.</p> <p>0 = Port is available 1 = Port is disabled</p> <p>During Self-Powered operation, this selects the ports which will be permanently disabled, and are not available to be enabled or enumerated by a host controller. The ports can be disabled in any order, the internal logic will automatically report the correct number of enabled ports to the USB host, and will reorder the active ports in order to ensure proper function.</p> <p>Bit 7 = RESERVED Bit 6 = RESERVED Bit 5 = 1; Port 5 disabled Bit 4 = 1; Port 4 disabled Bit 3 = 1; Port 3 disabled Bit 2 = 1; Port 2 disabled Bit 1 = 1; Port 1 disabled Bit 0 is RESERVED, always = 0b</p> | 00h |
| 2Bh | <p>Port Disable (Bus) Register (PDB) Disables 1 or more ports.</p> <p>0 = Port is available 1 = Port is disabled</p> <p>During Bus-Powered operation, this selects the ports which will be permanently disabled, and are not available to be enabled or enumerated by a host controller. The ports can be disabled in any order, the internal logic will automatically report the correct number of enabled ports to the USB host, and will reorder the active ports in order to ensure proper function.</p> <p>Bit 7 = RESERVED Bit 6 = RESERVED Bit 5 = 1; Port 5 disabled Bit 4 = 1; Port 4 disabled Bit 3 = 1; Port 3 disabled Bit 2 = 1; Port 2 disabled Bit 1 = 1; Port 1 disabled Bit 0 is RESERVED, always = 0b</p> | 00h |
| 2Ch | <p>Max Power (Self) Register (MAXPS) Value in 2 mA increments that the Hub consumes from an upstream port (VBUS) when operating as a self-powered hub. This value includes the hub silicon along with the combined power consumption (from VBUS) of all associated circuitry on the board. This value also includes the power consumption of a permanently attached peripheral if the hub is configured as a compound device, and the embedded peripheral reports 0 mA in its descriptors.</p> <p>Note: The USB 2.0 Specification does not permit this value to exceed 100 mA.</p> | 01h |
| 2Dh | <p>Max Power (Bus) Register (MAXPB) Value in 2 mA increments that the Hub consumes from an upstream port (VBUS) when operating as a bus-powered hub. This value includes the hub silicon along with the combined power consumption (from VBUS) of all associated circuitry on the board. This value also includes the power consumption of a permanently attached peripheral if the hub is configured as a compound device, and the embedded peripheral reports 0 mA in its descriptors.</p> | 00h |

LAN9514/LAN9514I

TABLE 3-3: HUB CONFIGURATION (CONTINUED)

| EEPROM Offset | Description | Default |
|---------------|--|---------|
| 2Eh | <p>Hub Controller Max Current (Self) Register (HCMCS) Value in 2 mA increments that the Hub consumes from an upstream port (VBUS) when operating as a self-powered hub. This value includes the hub silicon along with the combined power consumption (from VBUS) of all associated circuitry on the board. This value does NOT include the power consumption of a permanently attached peripheral if the hub is configured as a compound device.</p> <p>Note: The USB 2.0 Specification does not permit this value to exceed 100mA.</p> | 01h |
| 2Fh | <p>Hub Controller Max Current (Bus) Register (HCMCB) Value in 2 mA increments that the Hub consumes from an upstream port (VBUS) when operating as a bus-powered hub. This value includes the hub silicon along with the combined power consumption (from VBUS) of all associated circuitry on the board. This value does NOT include the power consumption of a permanently attached peripheral if the hub is configured as a compound device.</p> | 00h |
| 30h | <p>Power-on Time Register (PWRT) The length of time that it takes (in 2 mS intervals) from the time the host initiated power-on sequence begins on a port until power is good on that port. System software uses this value to determine how long to wait before accessing a powered-on port.</p> | 32h |
| 31h | <p>Boost_Up Register (BOOSTUP) Refer to Table 3-7, "Boost_Up Register (BOOSTUP) Format," on page 30 for details.</p> | 00h |
| 32h | <p>Boost_5 Register (BOOST5) Refer to Table 3-8, "Boost_3:2 Register (BOOST32) Format," on page 30 for details.</p> | 00h |
| 33h | <p>Boost_4:2 Register (BOOST42) Refer to Table 3-9, "Boost_4:2 Register (BOOST42) Format," on page 31 for details.</p> | 00h |
| 34h | RESERVED | 00h |
| 35h | <p>Port Swap Register (PRTSP) Swaps the Upstream and Downstream USB DP and DM pins for ease of board routing to devices and connectors.</p> <p>0 = USB D+ functionality is associated with the DP pin and D- functionality is associated with the DM pin.</p> <p>1 = USB D+ functionality is associated with the DM pin and D- functionality is associated with the DP pin.</p> <p>Bit 7 = RESERVED Bit 6 = RESERVED Bit 5 = 1; Port 5 DP/DM is swapped Bit 4 = 1; Port 4 DP/DM is swapped Bit 3 = 1; Port 3 DP/DM is swapped Bit 2 = 1; Port 2 DP/DM is swapped Bit 1 = RESERVED Bit 0 = 1; Upstream Port DP/DM is swapped</p> | 00h |

TABLE 3-3: HUB CONFIGURATION (CONTINUED)

| EEPROM Offset | Description | Default | | | | | | | | | | | | | | | | | | | | | | | | | | | | | | | | | | | | | | | | | | |
|---------------|--|---|------|-----------------------------|--|------|---|--|------|---|--|------|---|--|------|---|--|------|---|--|--|---------------------|-------------|------|-----------------------------|--|------|---|--|------|---|--|------|---|--|------|---|--|------|---|--|--|---------------------|-----|
| 36h | <p>Port Remap 12 Register (PRTR12) When a hub is enumerated by a USB Host Controller, the hub is only permitted to report how many ports it has. The hub is not permitted to select a numerical range or assignment. The Host Controller will number the downstream ports of the hub starting with the number 1, up to the number of ports that the hub reported having.</p> <p>The host's port number is referred to as "Logical Port Number" and the physical port on the hub is the "Physical Port Number". When remapping mode is enabled, (see Port Re-Mapping Enable (PRTMAP_EN) bit in Config Data Byte 3 Register (CFG3 Format)) the hub's downstream port numbers can be remapped to different logical port numbers (assigned by the host).</p> <p>Note: The OEM must ensure that Contiguous Logical Port Numbers are used, starting from #1 up to the maximum number of enabled ports. This ensures that the hub's ports are numbered in accordance with the way a Host will communicate with the ports.</p> <table border="1" data-bbox="365 766 1175 1472"> <tbody> <tr> <td>Bit [7:4] =</td> <td>0000</td> <td>Physical Port 2 is Disabled</td> </tr> <tr> <td></td> <td>0001</td> <td>Physical Port 2 is mapped to Logical Port 1</td> </tr> <tr> <td></td> <td>0010</td> <td>Physical Port 2 is mapped to Logical Port 2</td> </tr> <tr> <td></td> <td>0011</td> <td>Physical Port 2 is mapped to Logical Port 3</td> </tr> <tr> <td></td> <td>0100</td> <td>Physical Port 2 is mapped to Logical Port 4</td> </tr> <tr> <td></td> <td>0101</td> <td>Physical Port 2 is mapped to Logical Port 5</td> </tr> <tr> <td></td> <td></td> <td>All others RESERVED</td> </tr> <tr> <td>Bit [3:0] =</td> <td>0000</td> <td>Physical Port 1 is Disabled</td> </tr> <tr> <td></td> <td>0001</td> <td>Physical Port 1 is mapped to Logical Port 1</td> </tr> <tr> <td></td> <td>0010</td> <td>Physical Port 1 is mapped to Logical Port 2</td> </tr> <tr> <td></td> <td>0011</td> <td>Physical Port 1 is mapped to Logical Port 3</td> </tr> <tr> <td></td> <td>0100</td> <td>Physical Port 1 is mapped to Logical Port 4</td> </tr> <tr> <td></td> <td>0101</td> <td>Physical Port 1 is mapped to Logical Port 5</td> </tr> <tr> <td></td> <td></td> <td>All others RESERVED</td> </tr> </tbody> </table> | Bit [7:4] = | 0000 | Physical Port 2 is Disabled | | 0001 | Physical Port 2 is mapped to Logical Port 1 | | 0010 | Physical Port 2 is mapped to Logical Port 2 | | 0011 | Physical Port 2 is mapped to Logical Port 3 | | 0100 | Physical Port 2 is mapped to Logical Port 4 | | 0101 | Physical Port 2 is mapped to Logical Port 5 | | | All others RESERVED | Bit [3:0] = | 0000 | Physical Port 1 is Disabled | | 0001 | Physical Port 1 is mapped to Logical Port 1 | | 0010 | Physical Port 1 is mapped to Logical Port 2 | | 0011 | Physical Port 1 is mapped to Logical Port 3 | | 0100 | Physical Port 1 is mapped to Logical Port 4 | | 0101 | Physical Port 1 is mapped to Logical Port 5 | | | All others RESERVED | 21h |
| Bit [7:4] = | 0000 | Physical Port 2 is Disabled | | | | | | | | | | | | | | | | | | | | | | | | | | | | | | | | | | | | | | | | | | |
| | 0001 | Physical Port 2 is mapped to Logical Port 1 | | | | | | | | | | | | | | | | | | | | | | | | | | | | | | | | | | | | | | | | | | |
| | 0010 | Physical Port 2 is mapped to Logical Port 2 | | | | | | | | | | | | | | | | | | | | | | | | | | | | | | | | | | | | | | | | | | |
| | 0011 | Physical Port 2 is mapped to Logical Port 3 | | | | | | | | | | | | | | | | | | | | | | | | | | | | | | | | | | | | | | | | | | |
| | 0100 | Physical Port 2 is mapped to Logical Port 4 | | | | | | | | | | | | | | | | | | | | | | | | | | | | | | | | | | | | | | | | | | |
| | 0101 | Physical Port 2 is mapped to Logical Port 5 | | | | | | | | | | | | | | | | | | | | | | | | | | | | | | | | | | | | | | | | | | |
| | | All others RESERVED | | | | | | | | | | | | | | | | | | | | | | | | | | | | | | | | | | | | | | | | | | |
| Bit [3:0] = | 0000 | Physical Port 1 is Disabled | | | | | | | | | | | | | | | | | | | | | | | | | | | | | | | | | | | | | | | | | | |
| | 0001 | Physical Port 1 is mapped to Logical Port 1 | | | | | | | | | | | | | | | | | | | | | | | | | | | | | | | | | | | | | | | | | | |
| | 0010 | Physical Port 1 is mapped to Logical Port 2 | | | | | | | | | | | | | | | | | | | | | | | | | | | | | | | | | | | | | | | | | | |
| | 0011 | Physical Port 1 is mapped to Logical Port 3 | | | | | | | | | | | | | | | | | | | | | | | | | | | | | | | | | | | | | | | | | | |
| | 0100 | Physical Port 1 is mapped to Logical Port 4 | | | | | | | | | | | | | | | | | | | | | | | | | | | | | | | | | | | | | | | | | | |
| | 0101 | Physical Port 1 is mapped to Logical Port 5 | | | | | | | | | | | | | | | | | | | | | | | | | | | | | | | | | | | | | | | | | | |
| | | All others RESERVED | | | | | | | | | | | | | | | | | | | | | | | | | | | | | | | | | | | | | | | | | | |