



Chipsmall Limited consists of a professional team with an average of over 10 year of expertise in the distribution of electronic components. Based in Hongkong, we have already established firm and mutual-benefit business relationships with customers from,Europe,America and south Asia,supplying obsolete and hard-to-find components to meet their specific needs.

With the principle of "Quality Parts,Customers Priority,Honest Operation,and Considerate Service",our business mainly focus on the distribution of electronic components. Line cards we deal with include Microchip,ALPS,ROHM,Xilinx,Pulse,ON,Everlight and Freescale. Main products comprise IC,Modules,Potentiometer,IC Socket,Relay,Connector.Our parts cover such applications as commercial,industrial, and automotives areas.

We are looking forward to setting up business relationship with you and hope to provide you with the best service and solution. Let us make a better world for our industry!



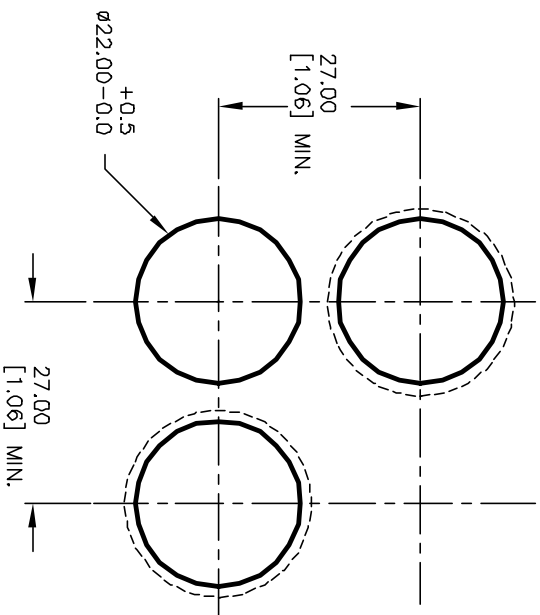
## Contact us

Tel: +86-755-8981 8866 Fax: +86-755-8427 6832

Email & Skype: info@chipsmall.com Web: www.chipsmall.com

Address: A1208, Overseas Decoration Building, #122 Zhenhua RD., Futian, Shenzhen, China





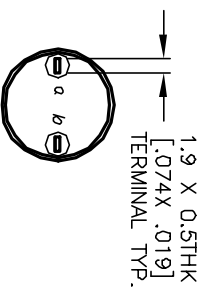
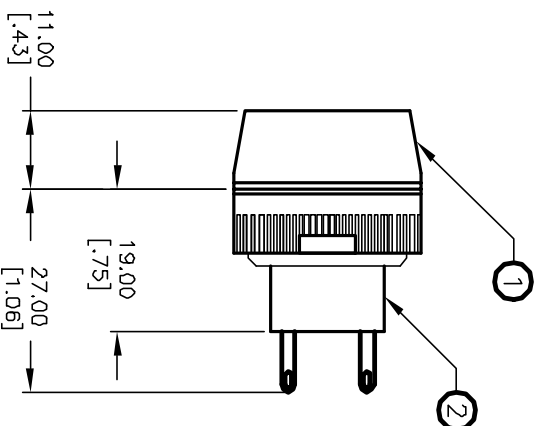
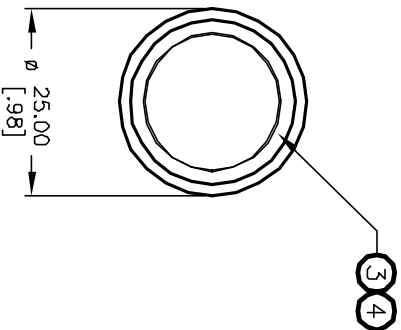
RECOMMENDED PANEL MOUNTING

a-L-b (+)

PILOT INDICATOR

NOTES:

1. ALL DIMENSIONS IN MM [INCH]
2. GENERAL TOLERANCE: X.X=±0.4  
X.XX=±0.25
3. RATINGS: 5A@250V AC,  
8A@125V AC
4. CONTACT MATERIAL: COPPER ALLOY W/Gold Plating
5. MECHANICAL LIFE: >100,000 Cycles
6. ELECTRICAL LIFE: >50,000 Cycles
7. INSULATION RESISTANCE: >1000 MΩ
8. OPERATING TEMP: -20°C to 55°C
9. LAMP VOLTAGE: 6VDC (L.E.D.)



REAR VIEW  
ROTATED FOR  
CLARITY  
ONLY

PARTS LIST		Part No.
Item	Qty.	Dwg. No.
1	1	F051702 25mm RING FOR LA SERIES
2	1	F060600 LAMPLV10
3	1	F050416 50-004-16 GRN L.E.D.
4	1	F061254 25mm GRN LENS (TRANSPARENT)

**E-SWITCH®**

LAP PLV10 H GRN GRN (TRANSPARENT LENS)

REV.	ECN No.	DESCRIPTION	DATE	CHKD
A	12488	RELEASED FOR PRODUCTION	10/16/02	CJB

TITLE	SCALE	DATE	DR	DWG	REV
LAP PLV10 H GRN GRN (TRANSPARENT LENS)	1:1	10/16/02	CJB	XF0521P	A

THE INFORMATION CONTAINED IN THIS DOCUMENT IS PROPRIETARY TO E-SWITCH AND IS NOT TO BE COPIED OR TRANSMITTED