



Chipsmall Limited consists of a professional team with an average of over 10 year of expertise in the distribution of electronic components. Based in Hongkong, we have already established firm and mutual-benefit business relationships with customers from,Europe,America and south Asia,supplying obsolete and hard-to-find components to meet their specific needs.

With the principle of “Quality Parts,Customers Priority,Honest Operation,and Considerate Service”,our business mainly focus on the distribution of electronic components. Line cards we deal with include Microchip,ALPS,ROHM,Xilinx,Pulse,ON,Everlight and Freescale. Main products comprise IC,Modules,Potentiometer,IC Socket,Relay,Connector.Our parts cover such applications as commercial,industrial, and automotives areas.

We are looking forward to setting up business relationship with you and hope to provide you with the best service and solution. Let us make a better world for our industry!



## Contact us

Tel: +86-755-8981 8866 Fax: +86-755-8427 6832

Email & Skype: info@chipsmall.com Web: www.chipsmall.com

Address: A1208, Overseas Decoration Building, #122 Zhenhua RD., Futian, Shenzhen, China



## Product Overview

### LB11620GP: Three-Phase Direct PWM Brushless Motor Driver

For complete documentation, see the data sheet

The LB11620GP is a direct PWM drive pre-driver IC that is optimal for three-phase power brushless motors. A motor driver circuit with the desired output capability (voltage and current) can be implemented by adding discrete transistors or other power devices to the outputs of this IC. Since the LB11620GP is provided in a miniature package, it is also appropriate for use with miniature motors as well.

### Features

- Three-phase bipolar drive
- Direct PWM drive (input of either a control voltage or a variable-duty PWM signal)
- Built-in forward/reverse switching circuit
- 5V regulator output (VREG pin)
- Built-in current limiter circuit (0.25V (typical) reference voltage)
- Built-in under voltage protection circuit
- Built-in automatic recovery type constraint protection circuit (ON: OFF=1 : 18) with protection operating state discrimination output (RD pin)
- Hall signal pulse outputs

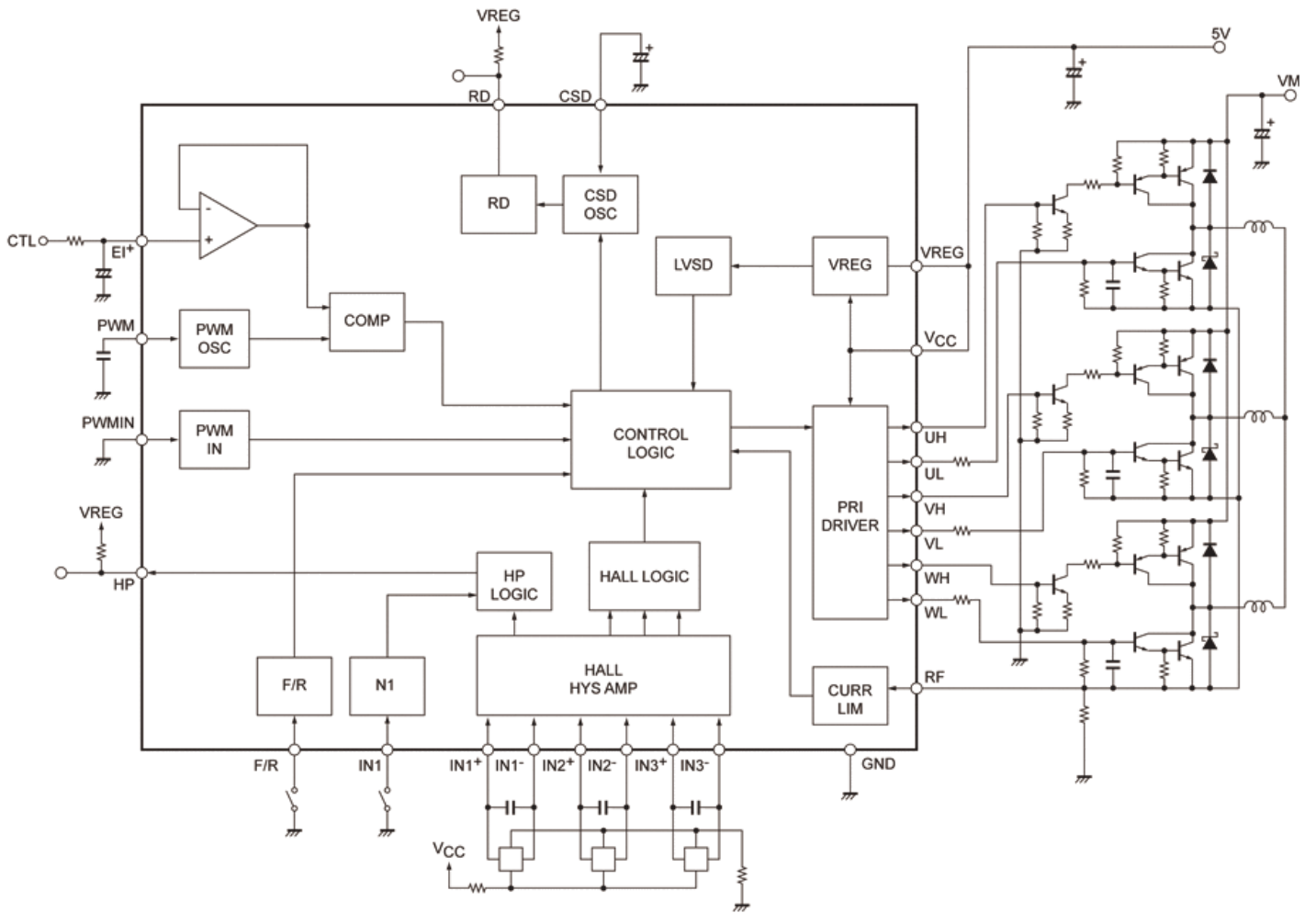
### Part Electrical Specifications

Product	Compliance	Status	Phase	V <sub>M</sub> Min (V)	V <sub>M</sub> Max (V)	V <sub>CC</sub> Min (V)	V <sub>CC</sub> Max (V)	I <sub>O</sub> Max (A)	I <sub>O</sub> Peak Max (A)	Control Type	Current Sense	Regulator Output	Fault Detection	Package Type
LB11620GP-TE-L-H	Pb-free Halide free	Active	3			8	18	0.03		PWM	External Resistor	Yes	Over-Current	VCT-24

# Application Diagram

## Block Diagram and Application Example

Case) Bipolar transistor drive (high side PWM)  
Using a 5V power supply



For more information please contact your local sales support at [www.onsemi.com](http://www.onsemi.com)

Created on: 4/29/2017