



Chipsmall Limited consists of a professional team with an average of over 10 year of expertise in the distribution of electronic components. Based in Hongkong, we have already established firm and mutual-benefit business relationships with customers from,Europe,America and south Asia,supplying obsolete and hard-to-find components to meet their specific needs.

With the principle of "Quality Parts,Customers Priority,Honest Operation,and Considerate Service",our business mainly focus on the distribution of electronic components. Line cards we deal with include Microchip,ALPS,ROHM,Xilinx,Pulse,ON,Everlight and Freescale. Main products comprise IC,Modules,Potentiometer,IC Socket,Relay,Connector.Our parts cover such applications as commercial,industrial, and automotives areas.

We are looking forward to setting up business relationship with you and hope to provide you with the best service and solution. Let us make a better world for our industry!



Contact us

Tel: +86-755-8981 8866 Fax: +86-755-8427 6832

Email & Skype: info@chipsmall.com Web: www.chipsmall.com

Address: A1208, Overseas Decoration Building, #122 Zhenhua RD., Futian, Shenzhen, China





ON Semiconductor®

<http://onsemi.com>

LB11683H

Monolithic Digital IC Three-Phase Sensorless Motor Driver

Overview

The LB11683H is a three-phase full-wave current-linear-drive motor driver IC. It adopts a sensorless control system without the use of a Hall effect device. For quieter operation, the LB11683H features a current soft switching circuit and is optimal for driving the cooling fan motors used in refrigerators, etc.

Functions

- Current linear drive
- Built-in current limiter circuit
- Output stage oversaturation prevention circuit
- Coil counter-electromotive FG output
- Built-in thermal shutdown circuit
- Beat lock prevention circuit
- Lock protection circuit
- Lock detection output

Specifications

Absolute Maximum Ratings at $T_a = 25^\circ\text{C}$

Parameter	Symbol	Conditions	Ratings	Unit
Supply voltage	V_{CC} max		14.5	V
Output applied voltage	V_O max		14.5	V
Input applied voltage	V_I max		-0.3 to $V_{CC}+0.3$	V
Output current	I_O max		1.5	A
Allowable power dissipation	P_d max1	Independent IC	0.8	W
	P_d max2	Mounted on a board *	1.85	W
Operating temperature	T_{opr}		-30 to +85	$^\circ\text{C}$
Storage temperature	T_{stg}		-55 to +150	$^\circ\text{C}$

* Specified board: 114.3mm × 76.1mm × 1.6mm, glass epoxy board.

Stresses exceeding Maximum Ratings may damage the device. Maximum Ratings are stress ratings only. Functional operation above the Recommended Operating Conditions is not implied. Extended exposure to stresses above the Recommended Operating Conditions may affect device reliability.

LB11683H

Allowable Operating Conditions at Ta = 25°C

Parameter	Symbol	Conditions	Ratings	Unit
Supply voltage 1	V _{CC}	All operating circuits other than internal 5V Reg.	5.5 to 7.0	V
Supply voltage 2	V _{CC}	All operating circuits.	7.0 to 13.8	V

Electrical Characteristics at Ta = 25°C, V_{CC} = 12V

Parameter	Symbol	Conditions	Ratings			Unit
			min	typ	max	
Supply current	I _{CC}	V _C =V _{CC} V _F C=0V		10	15	mA
Output saturation voltage 1	V _O SAT1	I _O =0.4A, Source+Sink		1.4	2.0	V
Output saturation voltage 2	V _O SAT2	I _O =0.8A, Source+Sink, R _F =0Ω		1.8	2.6	V
MCOM pin common-phase input voltage range	V _{IC}		0		V _{CC} -2	V
PCOUT output current 1	IPCOU	Source side		-90		μA
PCOUT output current 2	IPCOD	Sink side		90		μA
VCOIN input current	IVCOIN	VCOIN=5V		0.1	0.2	μA
VCO minimum frequency	fVCOMIN	VCOIN=open CX=0.022μF	330	400	500	Hz
VCO maximum frequency	fVCOMAX	VCOIN=5V CX=0.022μF	14.8	18.5	22.3	kHz
C1, C2 source current ratio	RSOURCE	1-(IC1SOURCE/IC2SOURCE)	-12		+12	%
C1, C2 sink current ratio	RSINK	1-(IC1SINK/IC2SINK)	-12		+12	%
C1 source, sink current ratio	RC1	IC1SOURCE/IC1SINK		50		%
C2 source, sink current ratio	RC2	IC2SOURCE/IC2SINK		50		%
Counter-electromotive FG output ON voltage	VOL	IFGO=1mA			0.4	V
CT pin charge current	ICT1	Source current	1.2	1.6		μA
CT pin discharge current	ICT2	Sink current	50	77		nA
Lock protection detection voltage	VRD1		2.3	2.45	2.6	V
Lock protection reset voltage	VRD2		1.13	1.26	1.39	V
RD pin leak current	IRDLEAK				10	μA
RD pin output L _O voltage	VRDL	I _O =1mA		100	400	mV
Current limiter setting voltage			0.45	0.5	0.55	V
Thermal shutdown operating temperature	TTSD	Design target *	150	180	210	°C
Thermal shutdown hysteresis	ΔTTSD	Design target *		15		°C

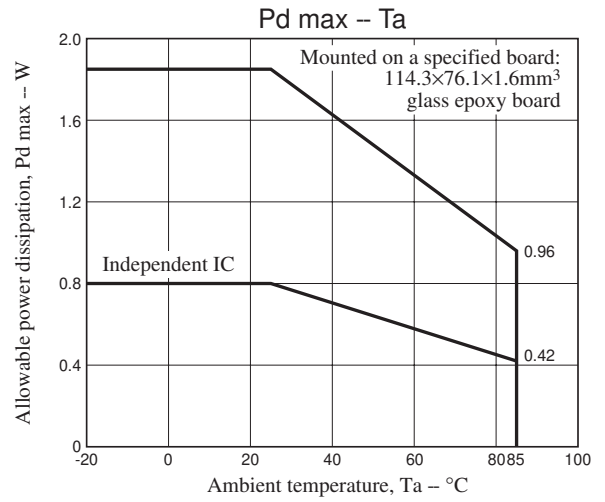
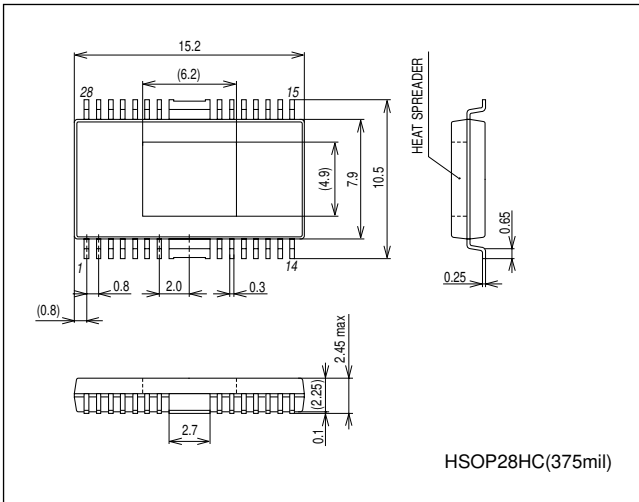
*: Design target value and no measurement is made.

LB11683H

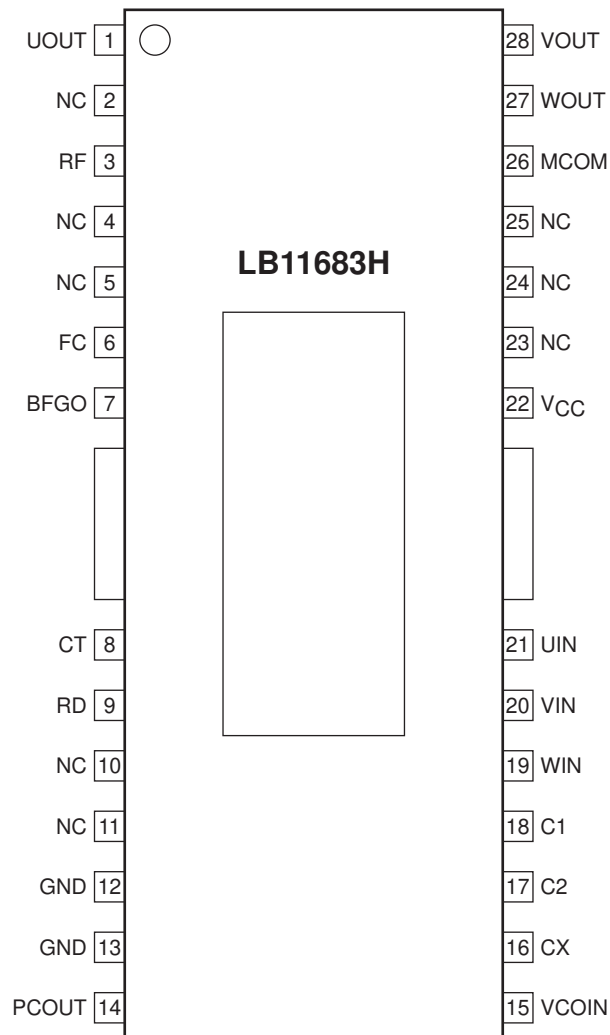
Package Dimensions

unit : mm (typ)

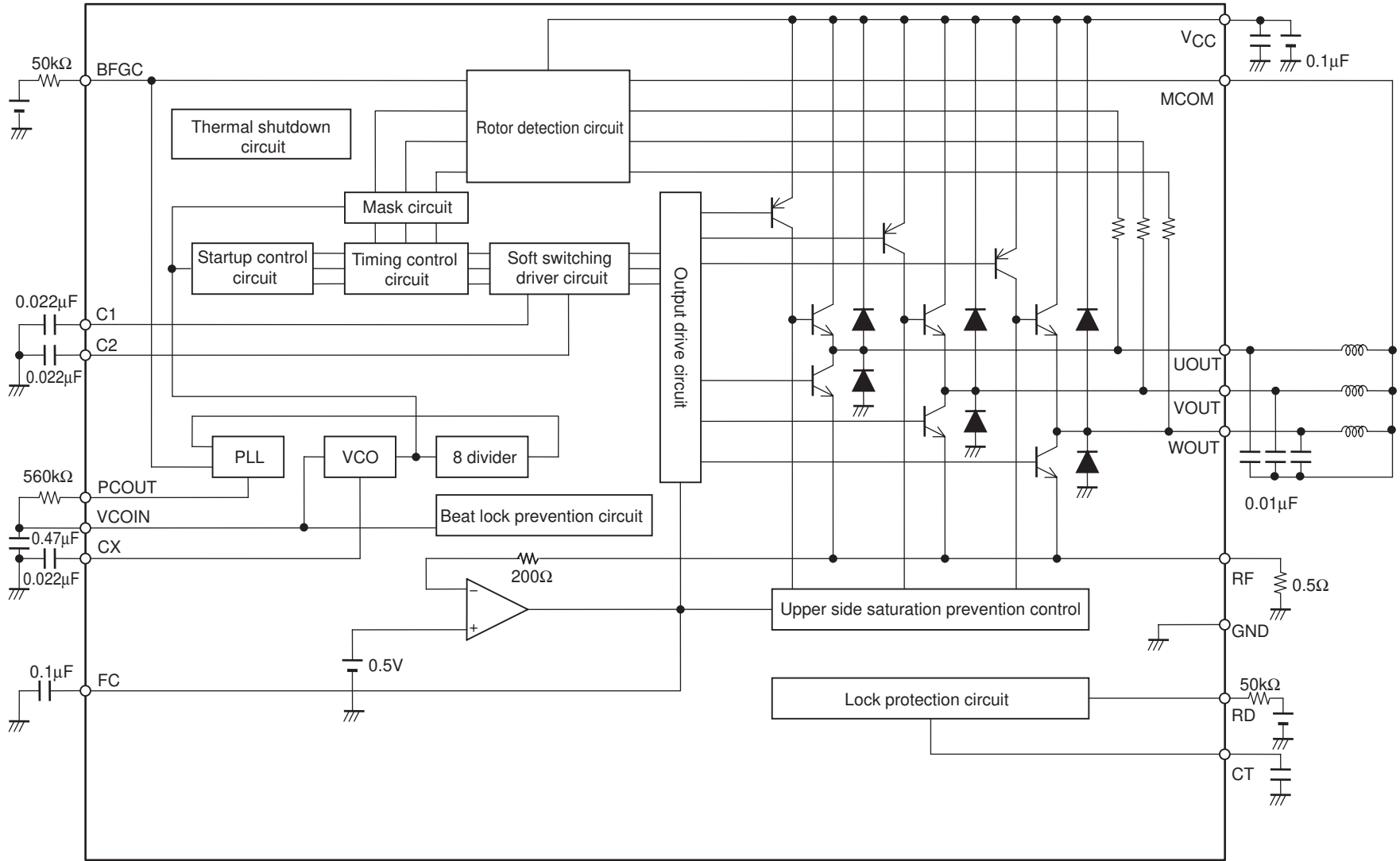
3315



Pin Assignment



Top view



ILB01810

LB11683H

Pin Functions

Pin No.	Symbol	Description	Pin Voltage	Equivalent Circuit
1	UOUT	3-phase motor driver output		
28	VOUT			
27	WOUT			
3	RF	Minimum potential of 3-phase motor driver output transistor. Constant current control is made through detection of this voltage. The current limiter also functions by detecting this potential.		
22	VCC	Power supply	8 to 13.8V	
26	MCOM	Motor coil neutral point input pin. The coil voltage waveform is detected with reference to this voltage.		
21	UIN	Coil waveform detection comparator input pin. This pin is connected to each phase output through the internal 10kΩ resistor.		
20	VIN			
19	WIN			
18	C1	Triangular wave generating capacitor connection pin. This triangular wave performs soft-switching of the coil output waveforms.		
17	C2			
16	CX	In the VCO circuit, the operation frequency range and minimum operation frequency are determined by means of the capacitor value connected this pin and ground.		
15	VCOIN	VCO circuit voltage input pin. The PCOUT pin voltage is input via CR filter.		

Continued on next page.

LB11683H

Continued from preceding page.

Pin No.	Symbol	Description	Pin Voltage	Equivalent Circuit
14	PCOUT	VCO circuit PLL output		
12 13	GND	Ground for all other than the output transistor		
7	BFGO	Motor counter-electromotive voltage detection FG output (single-phase only). Open collector output		
6	FC	Frequency characteristics compensation pin. Insertion of a capacitor between this pin and ground stops oscillation of the closed loop of current control system.		
9	RD	Lock detection output. When motor is running: low-level When motor is locked: high-level Open collector output		
8	CT	Lock protection ON/OFF time setting capacitor connection pin. The capacitor connected between this pin and ground determines the driver ON/OFF time when the motor is locked.		

ON Semiconductor and the ON logo are registered trademarks of Semiconductor Components Industries, LLC (SCILLC). SCILLC owns the rights to a number of patents, trademarks, copyrights, trade secrets, and other intellectual property. A listing of SCILLC's product/patent coverage may be accessed at www.onsemi.com/site/pdf/Patent-Marking.pdf. SCILLC reserves the right to make changes without further notice to any products herein. SCILLC makes no warranty, representation or guarantee regarding the suitability of its products for any particular purpose, nor does SCILLC assume any liability arising out of the application or use of any product or circuit, and specifically disclaims any and all liability, including without limitation special, consequential or incidental damages. "Typical" parameters which may be provided in SCILLC data sheets and/or specifications can and do vary in different applications and actual performance may vary over time. All operating parameters, including "Typicals" must be validated for each customer application by customer's technical experts. SCILLC does not convey any license under its patent rights nor the rights of others. SCILLC products are not designed, intended, or authorized for use as components in systems intended for surgical implant into the body, or other applications intended to support or sustain life, or for any other application in which the failure of the SCILLC product could create a situation where personal injury or death may occur. Should Buyer purchase or use SCILLC products for any such unintended or unauthorized application, Buyer shall indemnify and hold SCILLC and its officers, employees, subsidiaries, affiliates, and distributors harmless against all claims, costs, damages, and expenses, and reasonable attorney fees arising out of, directly or indirectly, any claim of personal injury or death associated with such unintended or unauthorized use, even if such claim alleges that SCILLC was negligent regarding the design or manufacture of the part. SCILLC is an Equal Opportunity/Affirmative Action Employer. This literature is subject to all applicable copyright laws and is not for resale in any manner.