



Chipsmall Limited consists of a professional team with an average of over 10 year of expertise in the distribution of electronic components. Based in Hongkong, we have already established firm and mutual-benefit business relationships with customers from,Europe,America and south Asia,supplying obsolete and hard-to-find components to meet their specific needs.

With the principle of "Quality Parts,Customers Priority,Honest Operation,and Considerate Service",our business mainly focus on the distribution of electronic components. Line cards we deal with include Microchip,ALPS,ROHM,Xilinx,Pulse,ON,Everlight and Freescale. Main products comprise IC,Modules,Potentiometer,IC Socket,Relay,Connector.Our parts cover such applications as commercial,industrial, and automotives areas.

We are looking forward to setting up business relationship with you and hope to provide you with the best service and solution. Let us make a better world for our industry!



## Contact us

Tel: +86-755-8981 8866 Fax: +86-755-8427 6832

Email & Skype: info@chipsmall.com Web: www.chipsmall.com

Address: A1208, Overseas Decoration Building, #122 Zhenhua RD., Futian, Shenzhen, China





**ON Semiconductor®**

<http://onsemi.com>

# LB11850VA

---

Monolithic Digital IC

**For Fan Motor**

**Single-Phase Full-Wave Pre-Driver  
with Speed Control Function**

## Overview

The LB11850VA is a single-phase bipolar fan motor driver with speed control function that works with a speed feedback signal. A highly efficient, quiet and low power consumption motor driver circuit, with a high speed accuracy and large variable speed can be implemented by adding a small number of external components. This pre-driver is optimal for driving large scale fan motors (with large air volume and large current) such as those used in servers and consumer products.

## Functions and features

- Pre-driver for single-phase full-wave drive
  - PMOS-NMOS is used as an external power TR, enabling high-efficiency and low-power-consumption drive by means of the low-saturation output and single-phase full-wave drive.
- On-chip speed control circuit
  - The speed control (closed loop control) using a speed feedback signal makes it possible to achieve higher speed accuracy and lower speed fluctuations when supply voltage fluctuates or load fluctuates, compared with an open-loop control system. Separately excited upper direct PWM control method is used as the variable-speed control system.
- External PWM input or analog voltage input enabling variable speed control
  - The speed control input signal is compatible with PWM duty ratio or analog voltages.
- On-chip soft start circuit
- Lowest speed setting pin
  - The lowest speed can be set with the external resistor.
- Current limiter circuit incorporated
  - Chopper type current limit at start or lock.
- Reactive current cut circuit incorporated
  - Reactive current before phase change is cut to enable silent and low-consumption drive.
- Constraint protection and automatic reset functions incorporated
- FG (speed detection), RD (lock detection) output
- Constant-voltage output pin for hall bias

# LB11850VA

## Specifications

### Absolute Maximum Ratings at $T_a = 25^\circ\text{C}$

Parameter	Symbol	Conditions	Ratings	Unit
$V_{CC}$ maximum supply voltage	$V_{CC}$ max		18	V
OUTN pin maximum output current	$I_{OUTN}$ max		20	mA
OUTP pin maximum sink current	$I_{OUTP}$ max		20	mA
OUT pin output withstand voltage	$V_{OUT}$ max		18	V
HB maximum output current	HB		10	mA
CTL, C pin withstand voltage	CTL, C max		7	V
CVI, LIM pin withstand voltage	CVI, LIM max		7	V
RD/FD output pin output withstand voltage	FG max		19	V
RD/FG output current	FG max		10	mA
5VREG pin maximum output current	$I_{5VREG}$ max		10	mA
Allowable power dissipation	$P_d$ max	Mounted on a specified board *	0.9	W
Operating temperature range	$T_{opr}$		-30 to +95	$^\circ\text{C}$
Storage temperature range	$T_{stg}$		-55 to +150	$^\circ\text{C}$

Note \*1: Mounted on a specified board: 114.3mm×76.1mm×1.6mm, glass epoxy.

Note \*2:  $T_j$  max =  $150^\circ\text{C}$ . Use the device in a condition that the chip temperature does not exceed  $T_j = 150^\circ\text{C}$  during operation.

Stresses exceeding Maximum Ratings may damage the device. Maximum Ratings are stress ratings only. Functional operation above the Recommended Operating Conditions is not implied. Extended exposure to stresses above the Recommended Operating Conditions may affect device reliability.

### Recommended Operating Ranges at $T_a = 25^\circ\text{C}$

Parameter	Symbol	Conditions	Ratings	Unit
$V_{CC}$ supply voltage 1	$V_{CC1}$	$V_{CC}$ pin	5.5 to 16	V
$V_{CC}$ supply voltage 2	$V_{CC2}$	When $V_{CC}$ -5VREG shorted	4.5 to 5.5	V
CTL input voltage range	VCTL		0 to 5VREG	V
LIM input voltage range	VLIM		0 to 5VREG	V
VCI input voltage range	VCVI		0 to 5VREG	V
Hall input common phase input voltage range	VICM		0.2 to 3	V

### Electrical Characteristics at $T_a = 25^\circ\text{C}$ , $V_{CC} = 12\text{V}$ , unless otherwise specified

Parameter	Symbol	Conditions	Ratings			unit
			min	typ	max	
Circuit current	$I_{CC1}$	During drive		12	15	mA
	$I_{CC2}$	During lock protection		12	15	mA
5VREG voltage	5VREG	$I_{5VREG} = 5\text{mA}$	4.8	5.0	5.2	V
HB voltage	VHB	$I_{HB} = 5\text{mA}$	1.05	1.20	1.35	V
Current limiter voltage	VLIM		190	210	230	mV
CPWM pin H level voltage	VCRH		2.8	3.0	3.2	V
CPWM pin L level voltage	VCRL		0.9	1.1	1.3	V
CPWM pin charge current	ICPWM1	$V_{CPWM} = 0.5\text{V}$	24	30	36	$\mu\text{A}$
CPWM pin discharge current	ICPWM2	$V_{CPWM} = 3.5\text{V}$	21	27	33	$\mu\text{A}$
CPWM oscillation frequency	FPWM	$C = 220\text{pF}$		30		kHz
CT pin H level voltage	VCTH		2.8	3.0	3.2	V
CT pin L level voltage	VCTL		0.9	1.1	1.3	V
CT pin charge current	ICT1	$V_{CT} = 2\text{V}$	1.6	2.0	2.5	$\mu\text{A}$
CT pin discharge current	ICT2	$V_{CT} = 2\text{V}$	0.16	0.20	0.25	$\mu\text{A}$
CT pin charge/discharge current ratio	RCT	$ICT1/ICT2$	8	10	12	times
OUTN pin output H voltage	VONH	$I_O = 10\text{mA}$		$V_{CC}-0.85$	$V_{CC}-1.0$	V
OUTN pin output L voltage	VONL	$I_O = 10\text{mA}$		0.9	1.0	V
OUTP pin output L voltage	VOPL	$I_O = 10\text{mA}$		0.5	0.65	V

Continued on next page.

# LB11850VA

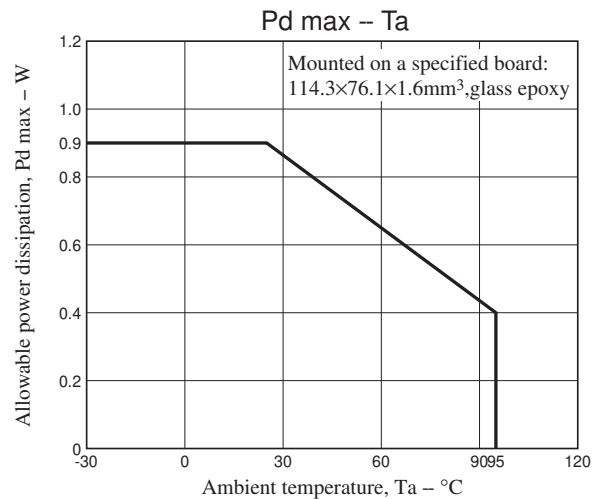
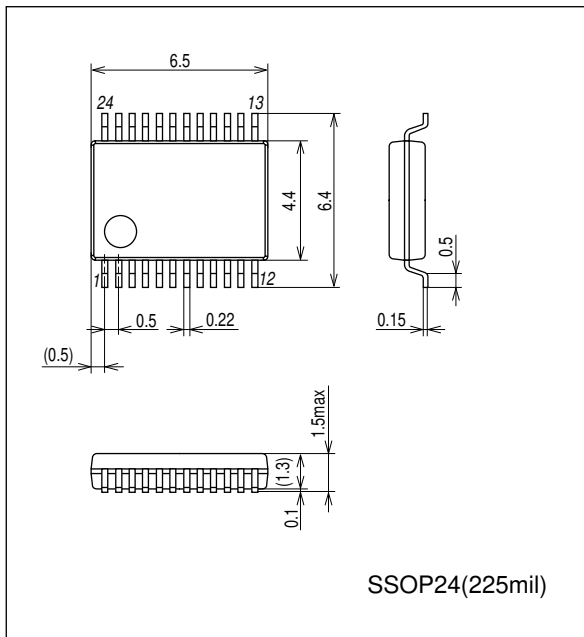
Continued from preceding page.

Parameter	Symbol	Conditions	Ratings			unit
			min	typ	max	
Hall input sensitivity	VHN	IN <sup>+</sup> , IN <sup>-</sup> difference voltage (including offset and hysteresis)		±15	±25	mV
FG output L voltage	VFGL	IFG = 5mA		0.15	0.30	μA
FG pin leak current	IFGL	VFG = 19V			30	μA
RD output L voltage	VRDL	IRD = 5mA		0.15	0.30	V
RD pin leak current	IRDL	VRD = 19V			30	μA
EO pin output H voltage	VEOH	IEO1 = -0.2mA	VREG-1.2	VREG-0.8		V
EO pin output L voltage	VEOL	IEO1 = 0.2mA		0.8	1.1	V
RC pin output H voltage	VRCH		3.2	3.45	3.7	V
RC pin output L voltage	VRCL		0.7	0.8	1.05	V
RC pin clamp voltage	VRCCLP		1.3	1.5	1.7	V
CTL pin input H voltage	VCTLH		2.0		VREG	V
CTL pin input L voltage	VCTLL		0		1.0	V
CTL pin input open voltage	VCTLO		VREG-0.5		VREG	V
CTL pin H input H current	ICTLH	VFGIN = 5VREG	-10	0	10	μA
CTL pin L input L current	ICTLL	VFGIN = 0V	-120	-90		μA
C pin output H voltage	VCH		VREG-0.3	VREG-0.1		V
C pin output L voltage	VCL		1.8	2.0	2.2	V
LIM pin input bias current	IBLIM		-1		1	μA
LIM pin common phase input voltage range	VILIM		2.0		VREG	V
SOFT pin charge current	ICSOFT		1.0	1.3	1.6	μA
SOFT pin operating voltage range	VISOFT		2.0		VREG	V
CVI pin input bias current	IB(VCI)		-1		2	μA
CVI pin common phase input voltage range	VIVCI		2.0		VREG	V
CVO pin output H level voltage	V <sub>OH</sub> (VCO)		VREG-0.35	VREG-0.2		V
Output L level voltage	V <sub>OL</sub> (VCO)		1.8	2.0	2.2	V

## Package Dimensions

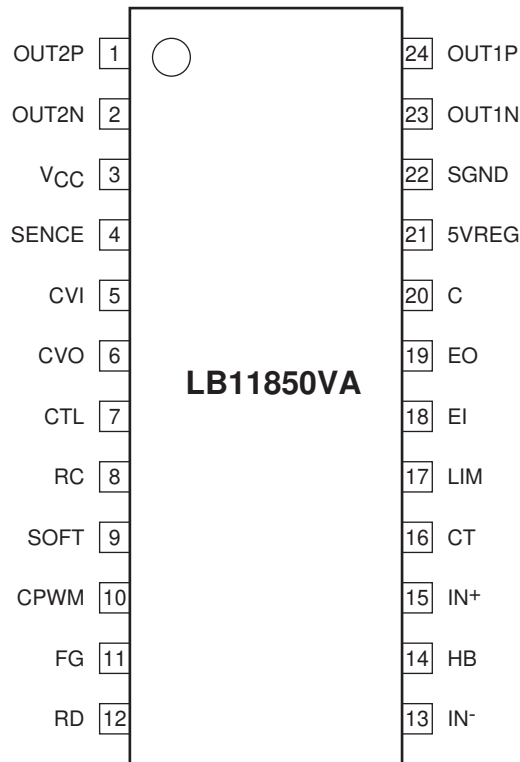
unit : mm (typ)

3287



# LB11850VA

## Pin Assignment



Top view

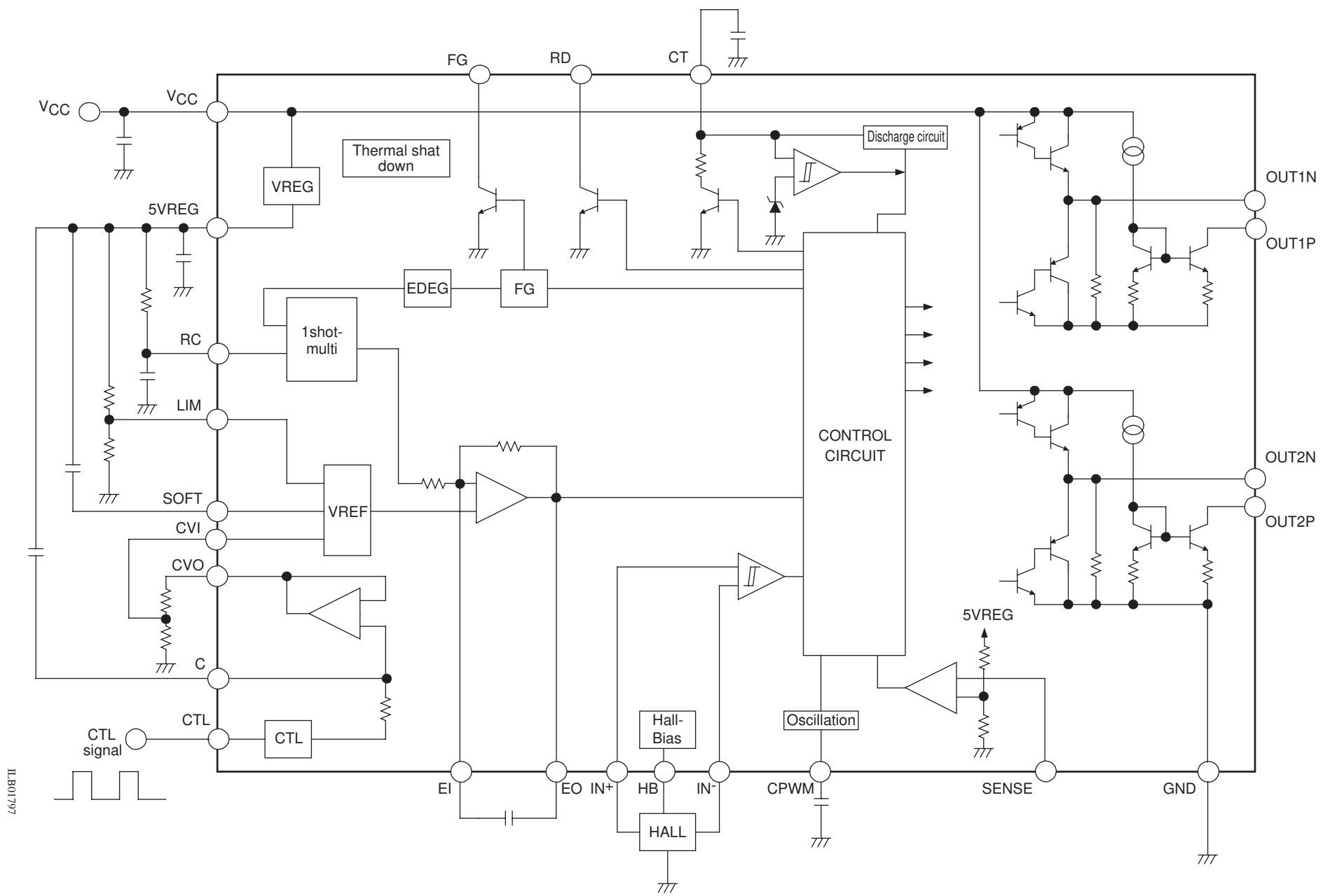
## Truth Table

Lock protection CPWM = H

IN <sup>-</sup>	IN <sup>+</sup>	CT	OUT1P	OUT1N	OUT2P	OUT2N	FG	Mode
H	L	L	L	L	OFF	H	L	OUT1→2 drive
L	H		OFF	H	L	L	OFF	OUT2→1 drive
H	L	H	OFF	L	OFF	H	L	Lock protection
L	H		OFF	H	OFF	L	OFF	

Speed control CT = L

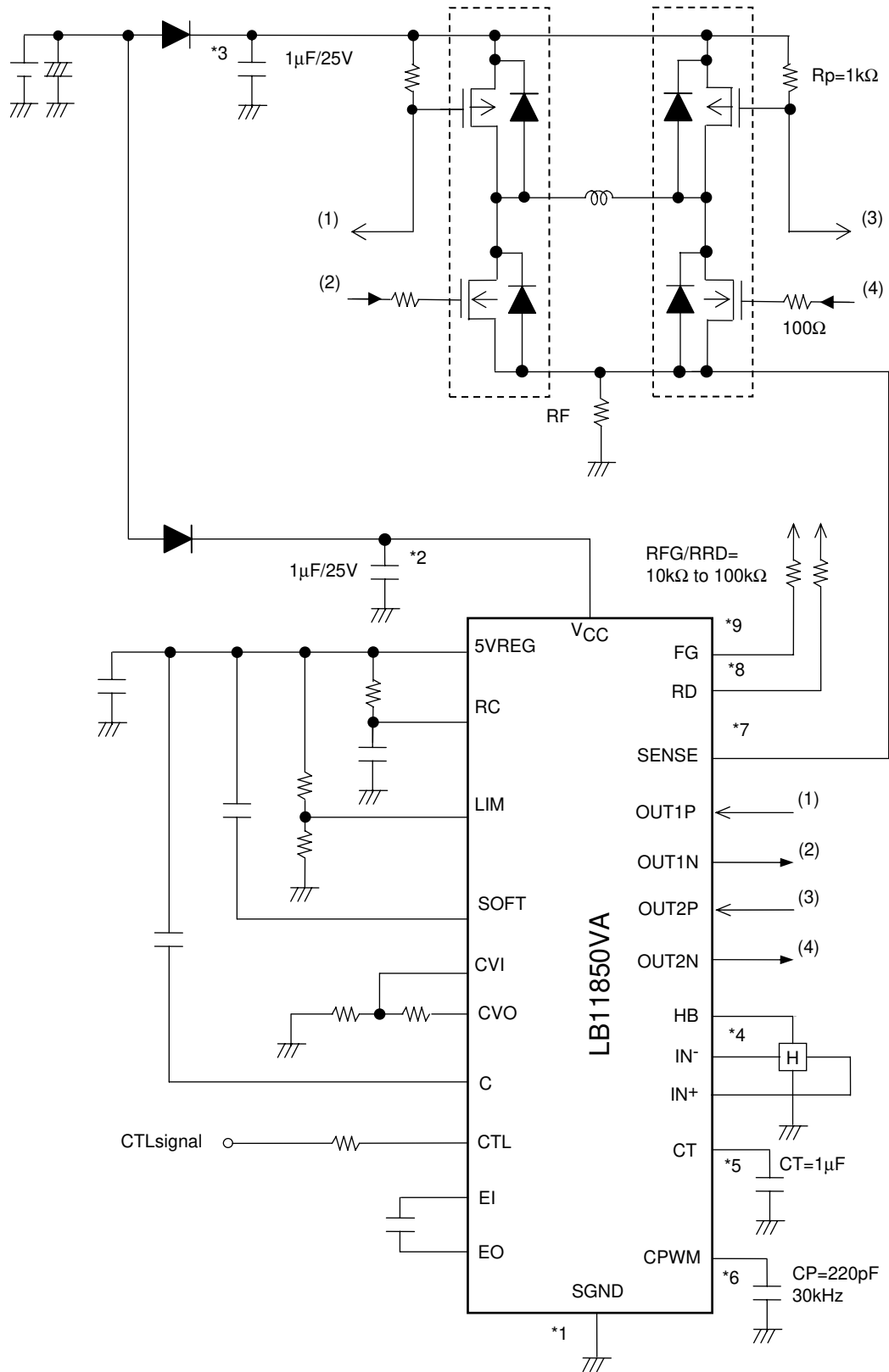
EO	CPWM	IN <sup>-</sup>	IN <sup>+</sup>	OUT1P	OUT1N	OUT2P	OUT2N	Mode
L	H	H	L	L	L	OFF	H	OUT1→2 drive
		L	H	OFF	H	L	L	OUT2→1 drive
H	L	H	L	OFF	L	OFF	H	Regeneration mode
		L	H	OFF	H	OFF	L	



1LB01797

# LB11850VA

## Sample Application Circuit





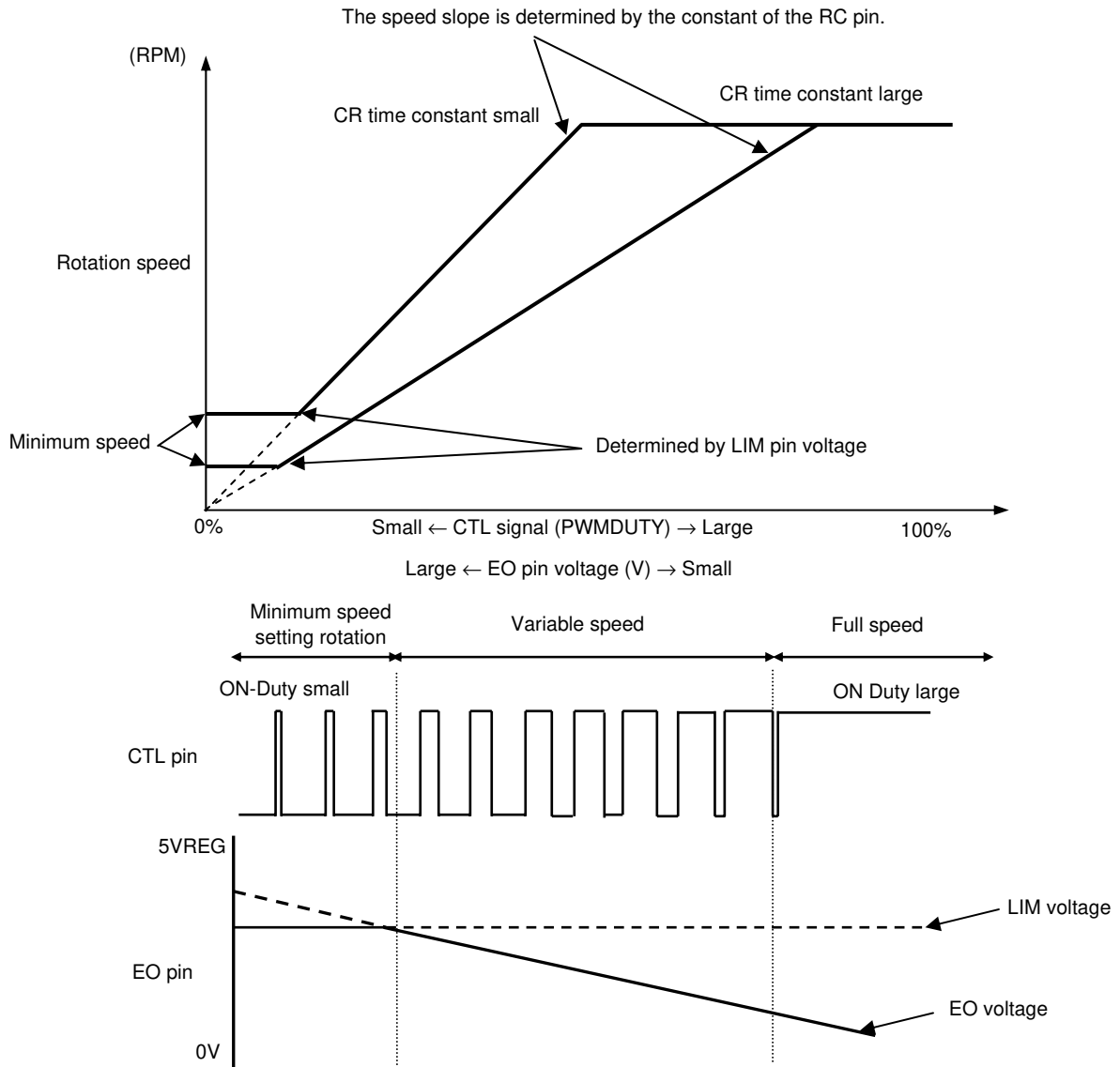
**Description of Pre-driver Block**

- \*1: <Power supply-GND wiring>  
SGND is connected to the control circuit power supply system.
  
- \*2: <Power stabilization capacitor>  
For the signal-side power stabilization capacitor, the capacitance of more than 0.1 $\mu$ F is used.  
Connect the capacitor between V<sub>CC</sub> and GND with the thick pattern and along the shortest route.
  
- \*3: <Power-side power stabilization capacitor>  
For the power-side power stabilization capacitor, the capacitance of more than 0.1 $\mu$ F is used.  
Connect the capacitor between power-side power supply and GND with the thick pattern and along the shortest route.
  
- \*4: <IN<sup>+</sup>, IN<sup>-</sup> pins>  
Hall signal input pins  
Wiring needs to be short to prevent carrying noise. If noise is carried, insert a capacitor between IN<sup>+</sup> and IN<sup>-</sup>. The Hall input circuit is a comparator having a hysteresis of 15mV.  
It has a  $\pm$ 30mV (input signal difference voltage) soft switch zone.  
It is recommended that the Hall input level is 100mV (p-p) at the minimum.
  
- \*5: <CPWM pin>  
This is the pin to connect capacitor for generating the PWM basic frequency  
Use of CP = 220pF produces oscillation at the frequency of 30kHz which serves as the PWM basic frequency.  
Since this pin is also used for the current limiter reset signal, the capacitor must be connected without fail even when no speed control is implemented.
  
- \*6: <CT pin>  
This is the pin to connect capacitor for lock detection  
Constant-current charging and constant-current discharging circuits are incorporated. When the pin voltage becomes 3.0V, the safety lock is applied, and when it lowers to 1.0V, the lock protection is reset.  
Connect this pin to GND when it is not in use (when lock protection is not required).
  
- \*7: <SENSE pin>  
This is the pin for current limiter detection  
When the pin voltage exceeds 0.21V, current limiting is applied, and the low-side regeneration mode is established.  
Connect this pin to GND when it is not in use.
  
- \*8: <RD pin>  
Lock detection pin  
This is the open collector output, which outputs “L” during rotation and “H” at stop. This pin is left open when it is not in use.
  
- \*10: <FG pin>  
Speed detection pin.  
This is the open collector output, which can detect the rotation speed using the FG output according to the phase change. This pin is left open when it is not in use.

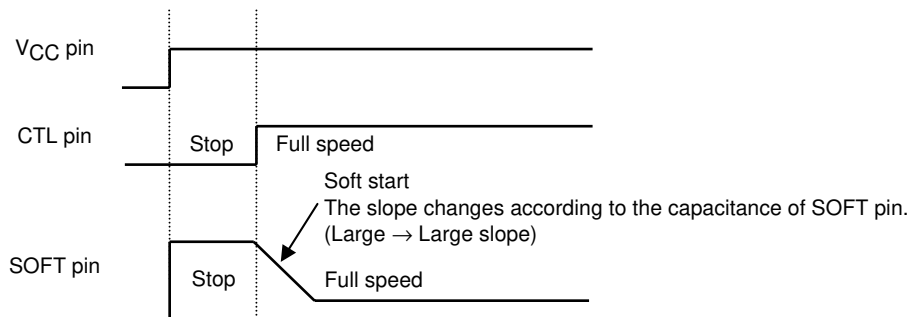


**Description of Speed Control Block**

1) Speed control diagram



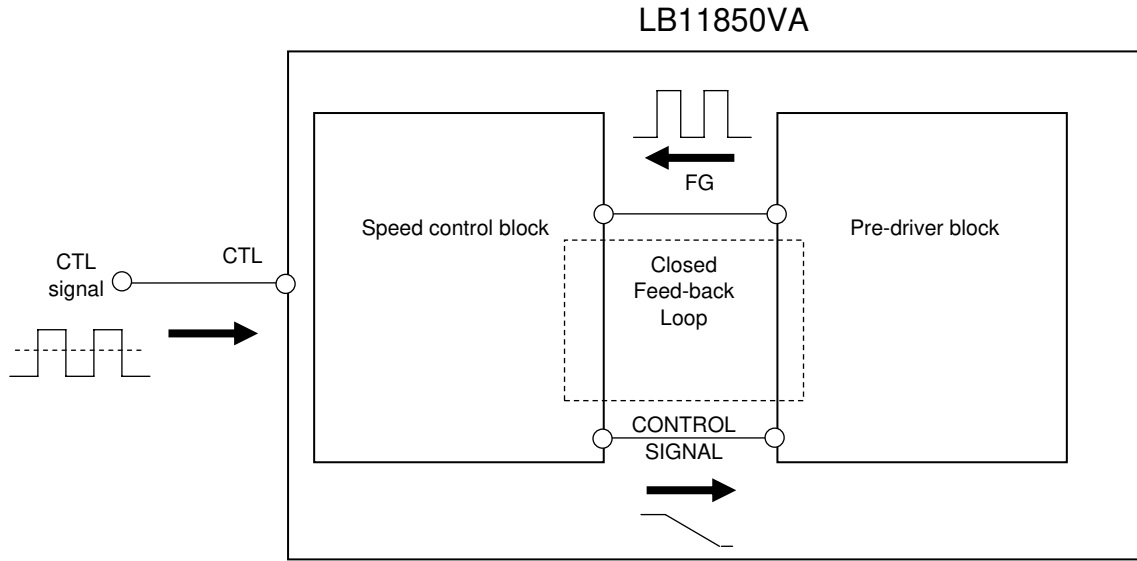
2) Timing at startup (soft start)



## LB11850VA

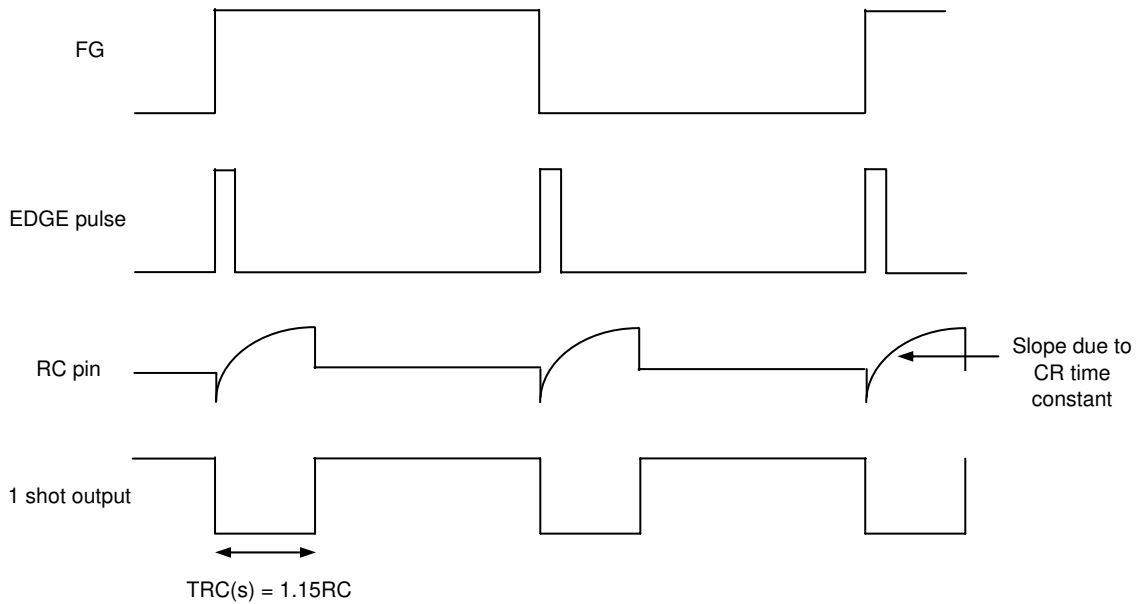
### 3) Additional description of operations

The LB11850 forms a feedback loop inside the IC so that the FG period (motor speed) corresponding to the control voltage is established by inputting the duty pulse.



The operation inside the IC is as follows. Pulse signals are created from the edges of the FG signals as shown in the figure below, and a waveform with a pulse width which is determined by the CR time constants and which uses these edges as a reference is generated by a one-shot multivibrator.

These pulse waveforms are integrated and the duty ratio of the pre-driver output is controlled as a control voltage.



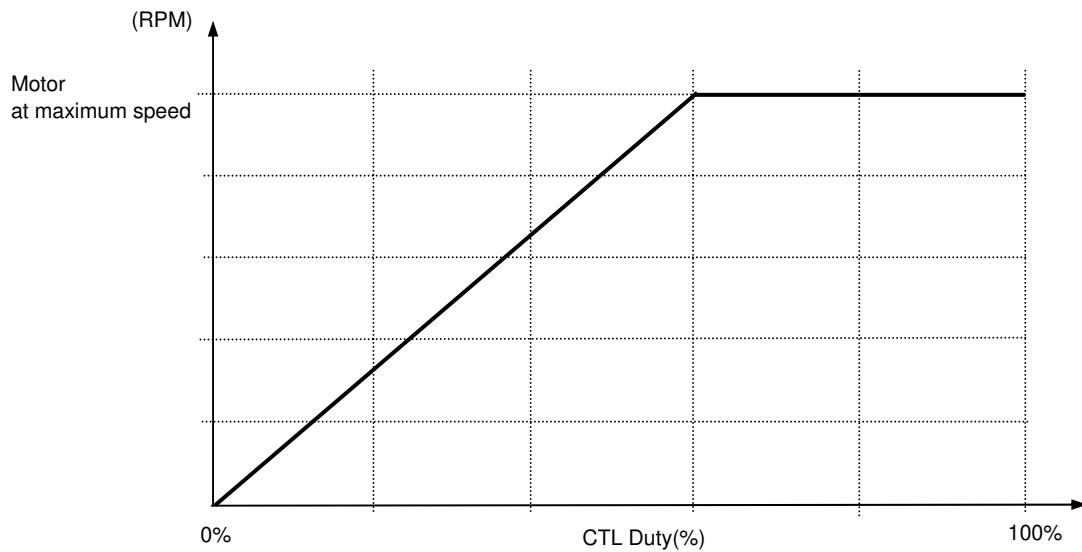
Furthermore, by changing the pulse width as determined by the CR time constant, the VCTL versus speed slope can be changed as shown in the speed control diagram of the previous section.

However, since the pulses used are determined by the CR time constant, the variations in CR are output as-is as the speed control error.

## 4) Procedure for calculating constants

&lt;RC pin&gt;

The slope shown in the speed control diagram is determined by the constant of the RC pin.

(1) Obtain FG signal frequency  $f_{FG}$  (Hz) of the maximum speed of the motor.

(With FG2 pulses per rotation)

$$f_{FG} \text{ (Hz)} = 2 \text{ rpm}/60 \dots <1>$$

(2) Obtain the time constant which is connected to the RC pin.

(Have "DUTY" (example: 100% = 1.0, 60% = 0.6) serve as the CTL duty ratio at which the maximum speed is to be obtained.)

$$R \times C = \text{DUTY}/(3.3 \times 1.1 \times f_{FG}) \dots <2>$$

(3) Obtain the resistance and capacitance of the capacitor.

Based on the discharge capacity of the RC pin, the capacitance of the capacitor which can be used is 0.01 to 0.015 $\mu$ F. Therefore, find the appropriate resistance using equation <3> or <4> below from the result of <2> above.

$$R = (R \times C)/0.01 \mu\text{F} \dots <3>$$

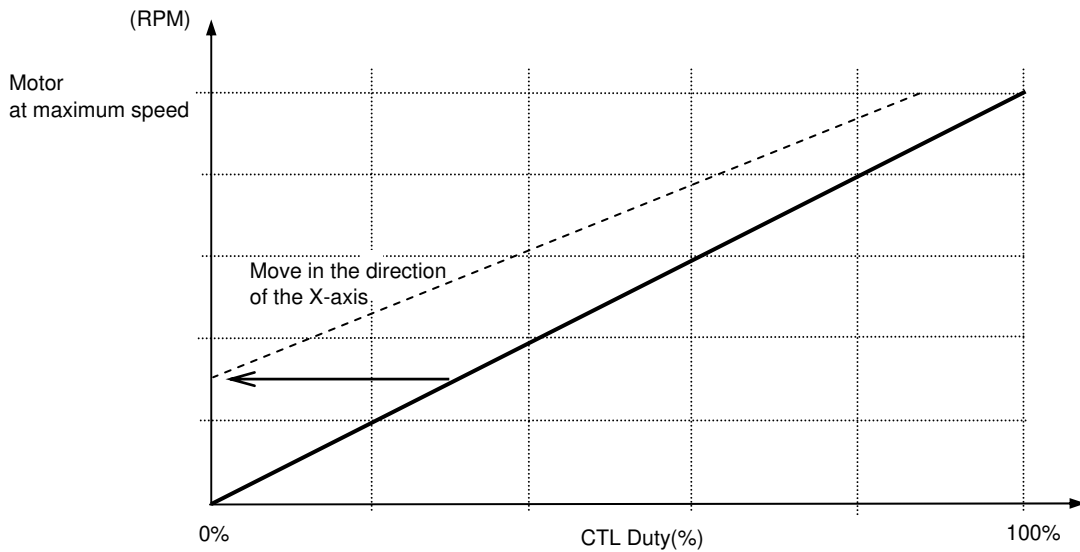
$$R = (R \times C)/0.015 \mu\text{F} \dots <4>$$

The temperature characteristics of the curve are determined by the temperature characteristics of the capacitor of the RC pin. When temperature-caused fluctuations in the speed are to be minimized, use a capacitor with good temperature characteristics.

<CVO, CVI pins>

These pins determine the position of the slope origin. (When the origin point is at (0%, 0 rpm), CVO and CVI are shorted.)

(1) Movement along the X-axis (resistance divided between CVO and GND)



(Example) In the case where the characteristics change from ones with the origin point (0%, 0 rpm) to ones where the speed at a duty ratio of 30% becomes the speed at 0%:

First, obtain the input voltage of the CVI pin required at 0%.

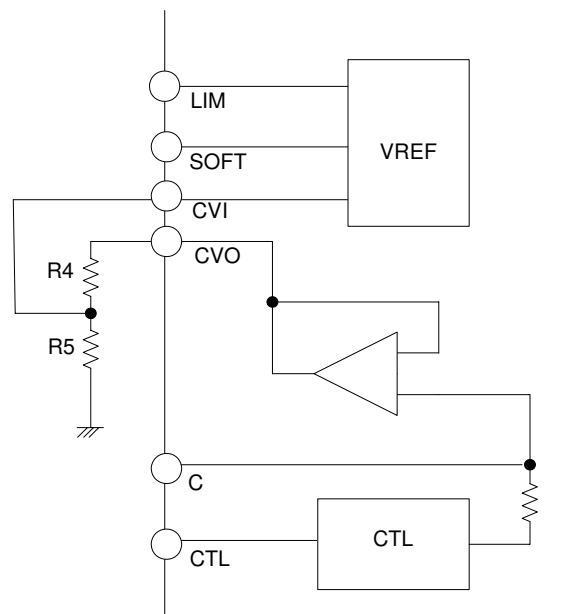
$$CVI = 5 - (3 \times \text{duty ratio}) = 5 - (3 \times 0.3) = 5 - 0.9 = 4.1V$$

Next, obtain the resistances at which the voltage becomes 4.1V by dividing the resistance between CVO and GND when CVO is 5V. The ratio of CVO-CVI: CVI-GND is 0.9V: 4.1V = 1: 4.5.

Based on the above, the resistance is 20kΩ between CVO and CVI and 91kΩ between CVI and GND.

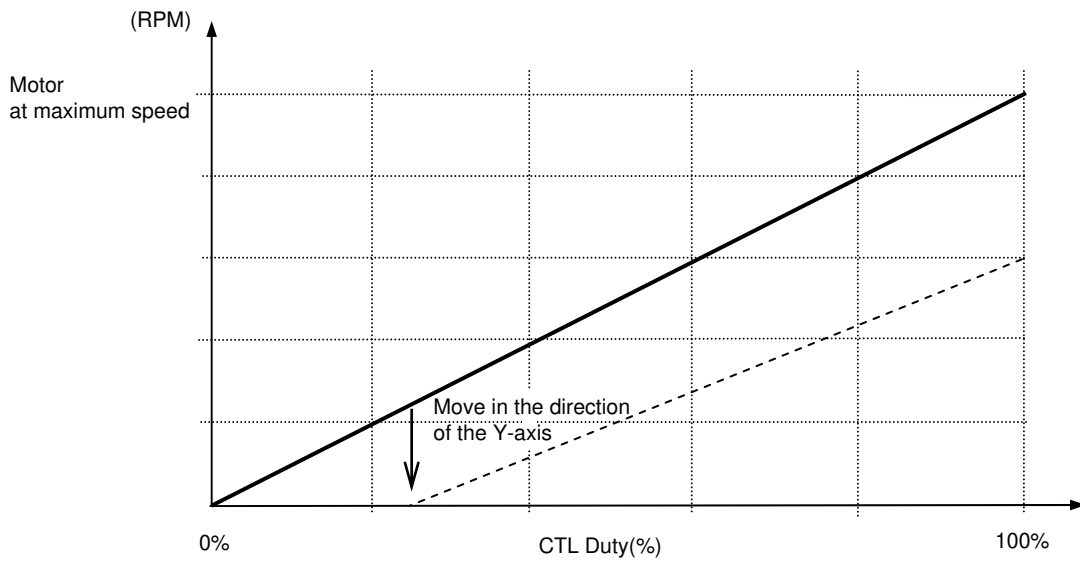
Furthermore, the slope changes. (In the case of the example given, since the resistance ratio is 1: 4.5, the slope is now 4.5/5.5 = 0.8 times what it was originally.)

If necessary, change the resistance of the RC pin, and adjust the slope.



# LB11850VA

(2) Movement along the Y-axis (resistance divided between CVO and VCC)



(Example) In the case where the characteristics change from ones with the origin point (0%, 0 rpm) to ones where the speed at a duty ratio of 25% becomes 0 rpm:

First, obtain the CVO pin voltage required for the CVI voltage to be 5V at 25%.

$$CVO = 5 - (3 \times \text{duty ratio}) = 5 - (3 \times 0.25) = 5 - 0.75 = 4.25V$$

With CVO = 4.25V, find the resistances at which CVI = 5V.

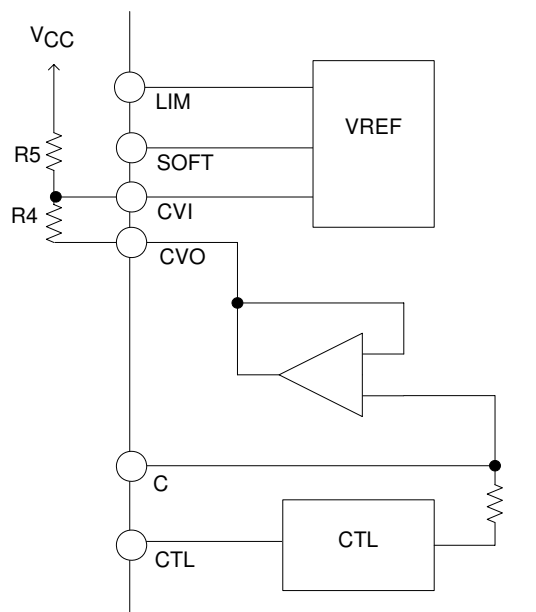
The ratio of CVO-CVI: CVI-GND is 0.75V: 7V = 1: 9.3

Based on the above, the resistance is 20kΩ between CVO and CVI and 180kΩ between CVI and VCC.

(Due to the current capacity of the CVO pin, the total resistance must be set to 100kΩ or more.)

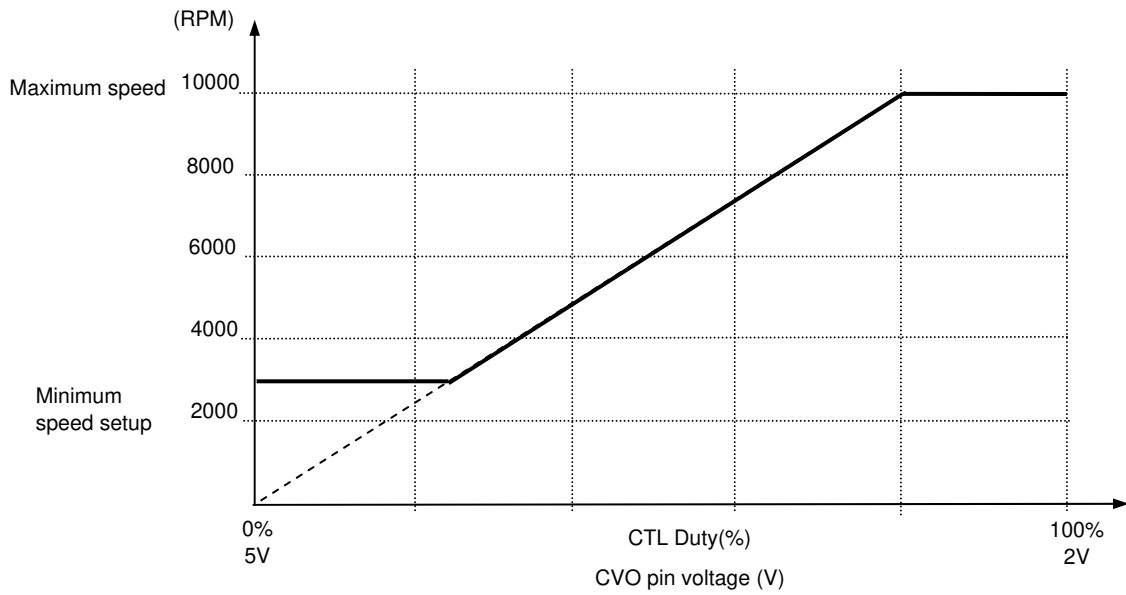
Furthermore, the slope changes. (In the case of the example given, since the resistance ratio is 1: 9.3, the slope is now  $9.3/10.3 = 0.9$  times what it was originally.)

If necessary, change the resistance of the RC pin, and adjust the slope.



<LIM pin>

The minimum speed is determined by the voltage of the LIM pin.



(1) Obtain the ratio of the minimum speed required to the maximum speed.

$$Ra = \text{Minimum speed}/\text{maximum speed} \dots \langle 1 \rangle$$

In the example shown in the figure above,  $Ra = \text{minimum speed}/\text{maximum speed} = 3000/10000 = 0.3$ .

(2) Obtain the product of the duty ratio at which the maximum speed is obtained and the value in equation <1>.

$$Ca = \text{Duty ratio at maximum speed} \times Ra \dots \langle 2 \rangle$$

In this example,  $Ca = \text{duty ratio at maximum speed} \times Ra = 0.8 \times 0.3 = 0.24$ .

(3) Obtain the required LIM pin voltage.

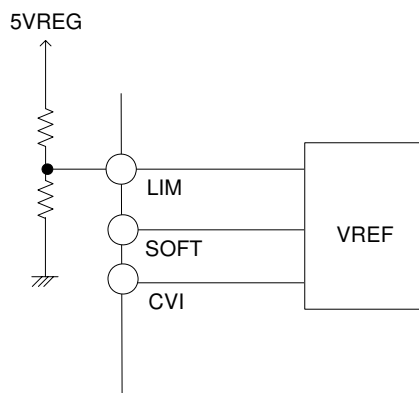
$$LIM = 5 - (3 \times Ca) \dots \langle 3 \rangle$$

In this example,  $LIM = 5 - (3 \times Ca) = 5 - (3 \times 0.24) \approx 4.3V$ .

(4) Divide the resistance of 5VREG, and generate the LIM voltage.

In this example, the voltage is 4.3V so the resistance ratio is 1: 6.

The resistance is 10kΩ between 5VREG and LIM and 62kΩ between LIM and GND.



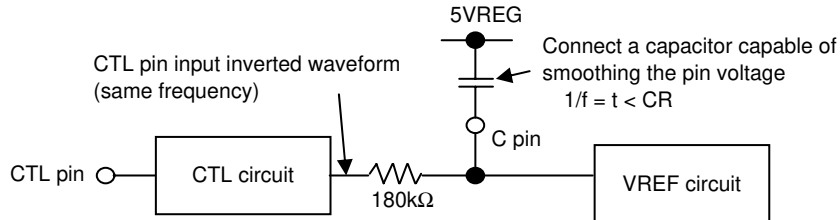
## LB11850VA

### <C pin>

In order to connect a capacitor capable of smoothing the pin voltage to the C pin, the correlation given in the following equation must be satisfied when  $f$  (Hz) serves as the input signal frequency of the CTL pin. ( $R$  is contained inside the IC, and is  $180\text{k}\Omega$  (typ).)

$$1/f = t < CR$$

The higher the capacitance of the capacitor is, the slower the response to changes in the input signal is.



ON Semiconductor and the ON logo are registered trademarks of Semiconductor Components Industries, LLC (SCILLC). SCILLC owns the rights to a number of patents, trademarks, copyrights, trade secrets, and other intellectual property. A listing of SCILLC's product/patent coverage may be accessed at [www.onsemi.com/site/pdf/Patent-Marking.pdf](http://www.onsemi.com/site/pdf/Patent-Marking.pdf). SCILLC reserves the right to make changes without further notice to any products herein. SCILLC makes no warranty, representation or guarantee regarding the suitability of its products for any particular purpose, nor does SCILLC assume any liability arising out of the application or use of any product or circuit, and specifically disclaims any and all liability, including without limitation special, consequential or incidental damages. "Typical" parameters which may be provided in SCILLC data sheets and/or specifications can and do vary in different applications and actual performance may vary over time. All operating parameters, including "Typicals" must be validated for each customer application by customer's technical experts. SCILLC does not convey any license under its patent rights nor the rights of others. SCILLC products are not designed, intended, or authorized for use as components in systems intended for surgical implant into the body, or other applications intended to support or sustain life, or for any other application in which the failure of the SCILLC product could create a situation where personal injury or death may occur. Should Buyer purchase or use SCILLC products for any such unintended or unauthorized application, Buyer shall indemnify and hold SCILLC and its officers, employees, subsidiaries, affiliates, and distributors harmless against all claims, costs, damages, and expenses, and reasonable attorney fees arising out of, directly or indirectly, any claim of personal injury or death associated with such unintended or unauthorized use, even if such claim alleges that SCILLC was negligent regarding the design or manufacture of the part. SCILLC is an Equal Opportunity/Affirmative Action Employer. This literature is subject to all applicable copyright laws and is not for resale in any manner.