



Chipsmall Limited consists of a professional team with an average of over 10 year of expertise in the distribution of electronic components. Based in Hongkong, we have already established firm and mutual-benefit business relationships with customers from,Europe,America and south Asia,supplying obsolete and hard-to-find components to meet their specific needs.

With the principle of “Quality Parts,Customers Priority,Honest Operation,and Considerate Service”,our business mainly focus on the distribution of electronic components. Line cards we deal with include Microchip,ALPS,ROHM,Xilinx,Pulse,ON,Everlight and Freescale. Main products comprise IC,Modules,Potentiometer,IC Socket,Relay,Connector.Our parts cover such applications as commercial,industrial, and automotives areas.

We are looking forward to setting up business relationship with you and hope to provide you with the best service and solution. Let us make a better world for our industry!



Contact us

Tel: +86-755-8981 8866 Fax: +86-755-8427 6832

Email & Skype: info@chipsmall.com Web: www.chipsmall.com

Address: A1208, Overseas Decoration Building, #122 Zhenhua RD., Futian, Shenzhen, China



Product Overview

LB11867RV: Variable Speed Single-Phase Fan Motor

For complete documentation, see the data sheet

LB11867RV is a single-phase bipolar driving motor pre-driver with the variable speed function compatible with external PWM signal. With a few external parts, a highly-efficient and highly-silent variable drive fan motor with low power consumption can be achieved. This product is best suited for driving of the server requiring large air flow and large current and the fan motor of consumer appliances.

Features

- Single-phase full-wave driving pre-driver
- Variable speed control possible with external PWM input
- Current limiting circuit incorporated
- Reactive current cut circuit incorporated
- Minimum speed setting pin
- Soft start setting pin
- Lock protection and automatic reset circuits incorporated
- RD (lock detection) output
- Thermal shutdown circuit incorporated

Benefits

- High-efficiency low power-consumption drive

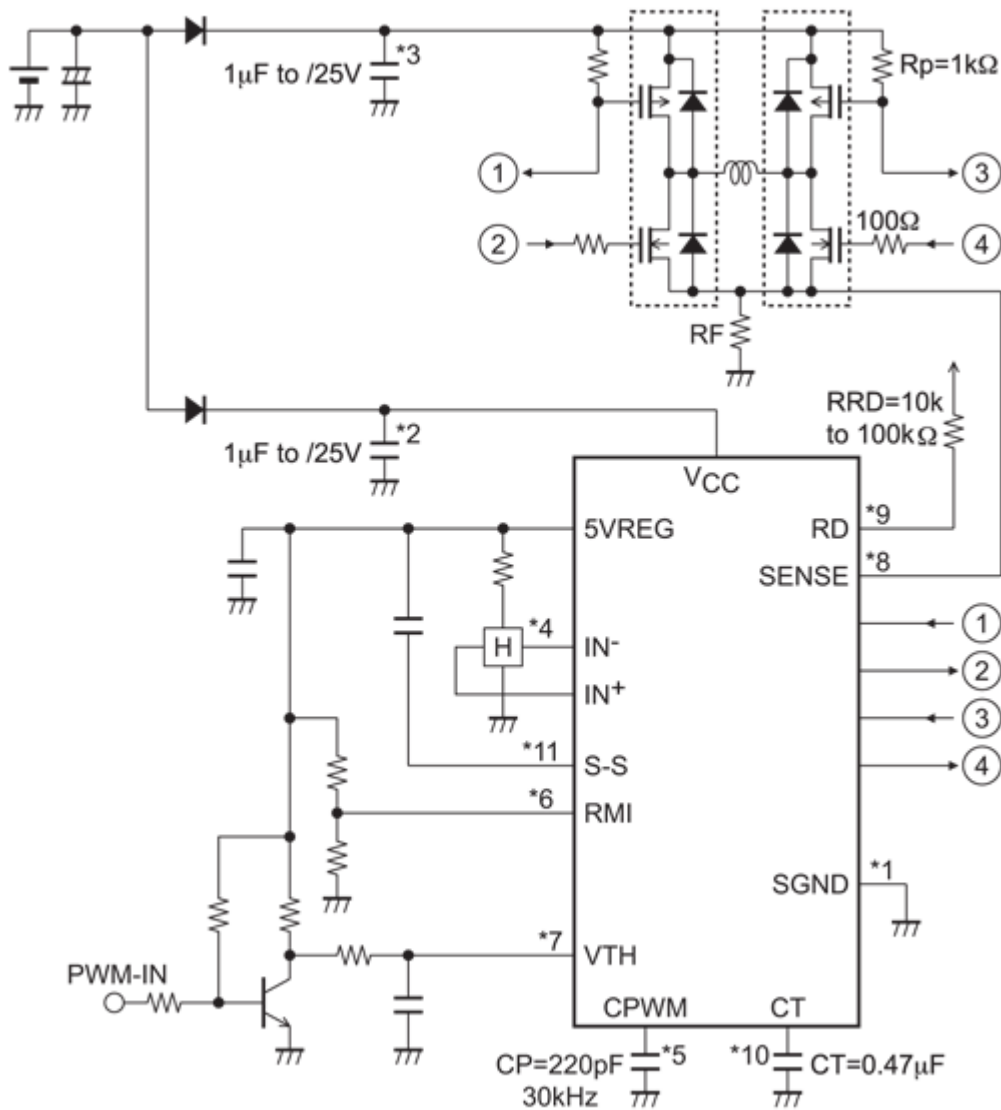
End Products

Part Electrical Specifications

Product	Compliance	Status	Phase	V _M Min (V)	V _M Max (V)	V _{CC} Min (V)	V _{CC} Max (V)	I _O Max (A)	I _O Peak Max (A)	Control Type	Current Sense	Regulator Output	Fault Detection	Package Type
LB11867RV-TLM-H	Pb-free Halide free	Active	1			5.5	16	0.02		PWM	External Resistor	Yes	Over-Current	SSOP-16

Application Diagram

Application Circuit Example (12V)



Note *1 to *11 information, please identify a datasheet.

For more information please contact your local sales support at www.onsemi.com

Created on: 4/30/2017