



Chipsmall Limited consists of a professional team with an average of over 10 year of expertise in the distribution of electronic components. Based in Hongkong, we have already established firm and mutual-benefit business relationships with customers from,Europe,America and south Asia,supplying obsolete and hard-to-find components to meet their specific needs.

With the principle of “Quality Parts,Customers Priority,Honest Operation,and Considerate Service”,our business mainly focus on the distribution of electronic components. Line cards we deal with include Microchip,ALPS,ROHM,Xilinx,Pulse,ON,Everlight and Freescale. Main products comprise IC,Modules,Potentiometer,IC Socket,Relay,Connector.Our parts cover such applications as commercial,industrial, and automotives areas.

We are looking forward to setting up business relationship with you and hope to provide you with the best service and solution. Let us make a better world for our industry!



Contact us

Tel: +86-755-8981 8866 Fax: +86-755-8427 6832

Email & Skype: info@chipsmall.com Web: www.chipsmall.com

Address: A1208, Overseas Decoration Building, #122 Zhenhua RD., Futian, Shenzhen, China





ON Semiconductor®

<http://onsemi.com>

LB1933M

Monolithic Digital IC

Low-saturation Forward/Reverse Motor Drive

Overview

The 1933M is a forward/reverse motor driver that supports low voltage drive and features low-saturation outputs in a miniature package.

Features

- Low saturation output: $V_{O\text{sat}}=0.3\text{V}$ typ ($I_O=300\text{mA}$)

Specifications

Absolute Maximum Ratings at $T_a = 25^\circ\text{C}$

Parameter	Symbol	Conditions	Ratings	Unit
Maximum supply voltage	V_{CC} max		-0.3 to +10.5	V
	V_S max		-0.3 to +10.5	V
Maximum Output applied voltage	V_{OUT}		V_S+V_{SF}	V
Maximum input applied voltage	V_{IN}		-0.3 to +10.0	V
Maximum output current	I_{GND}	Per channel	1.0	A
Allowable power dissipation	P_d max1	Independent IC	550	mW
	P_d max2	* Mounted on a specified board	800	mW
Operating temperature	T_{opr}		-30 to +75	$^\circ\text{C}$
Storage temperature	T_{stg}		-40 to +150	$^\circ\text{C}$

Note *: Mounted on a specified board: 30mm×30mm×1.5mm, glass epoxy

Stresses exceeding Maximum Ratings may damage the device. Maximum Ratings are stress ratings only. Functional operation above the Recommended Operating Conditions is not implied. Extended exposure to stresses above the Recommended Operating Conditions may affect device reliability.

LB1933M

Allowable Operating Ranges at $T_a = 25^\circ\text{C}$

Parameter	Symbol	Conditions	Ratings	Unit
Power supply voltage range	V_{CC}		2.2 to 7.5	V
	V_S		1.8 to 7.5	V
Input high-level voltage	V_{IH}		1.8 to 7.5	V
Input low-level voltage	V_{IL}		-0.3 to +0.7	V

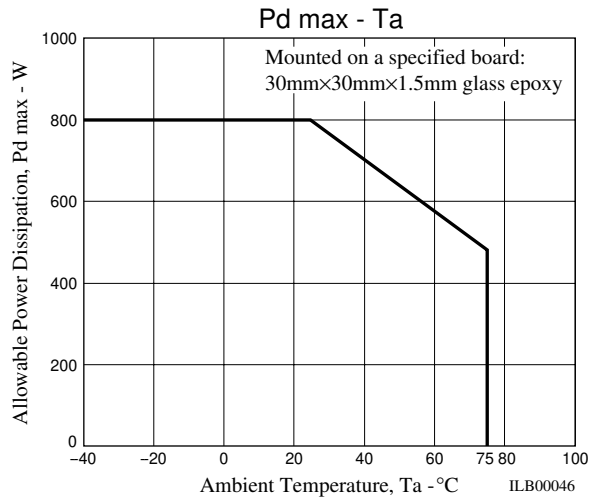
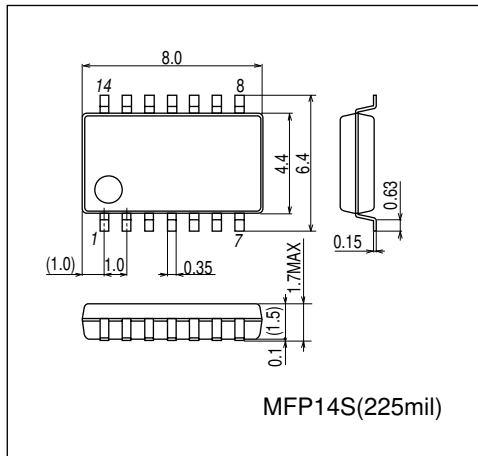
Electrical Characteristics at $T_a = 25^\circ\text{C}$, $V_{S1}=V_{S2}=V_{CC}=3\text{V}$

Parameter	Symbol	Conditions	Ratings			Unit
			min	typ	max	
Power current	I_{CCO}	TOTAL, ENA=0V, $V_{IN}=0\text{V}$		0.1	10	μA
	I_{CC}	V_{CC} , ENA=3V, $V_{IN}=3\text{V}$		5	7	mA
	I_S	$V_{S1}+V_{S2}$, ENA=3V, $V_{IN}=3\text{V}$		16	25	mA
Output saturation voltage	V_{Osat1}	ENA=3V, $V_{IN}=3\text{V}$ or 0V, $I_{OUT}=300\text{mA}$		0.30	0.45	V
	V_{Osat2}	ENA=2.2V, $V_{IN}=2.2\text{V}$ or 0V, $V_{CC}=2.2\text{V}$, $V_S=2.0\text{V}$, $I_{OUT}=150\text{mA}$			0.20	V
Input current	I_{IN}	$V_{IN}=3\text{V}$			80	μA
	I_{ENA}	$V_{ENA}=3\text{V}$			80	μA
Spark killer diode						
Reverse current	I_S (leak)	$V_{CC}=V_S=7\text{V}$			30	μA
Forward voltage	V_{SF}	$I_{OUT}=400\text{mA}$			1.7	V

Package Dimensions

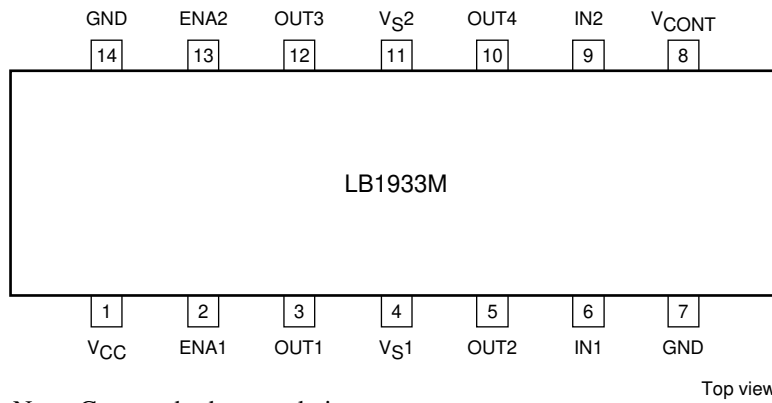
unit : mm (typ)

3111A



LB1933M

Pin Assignment



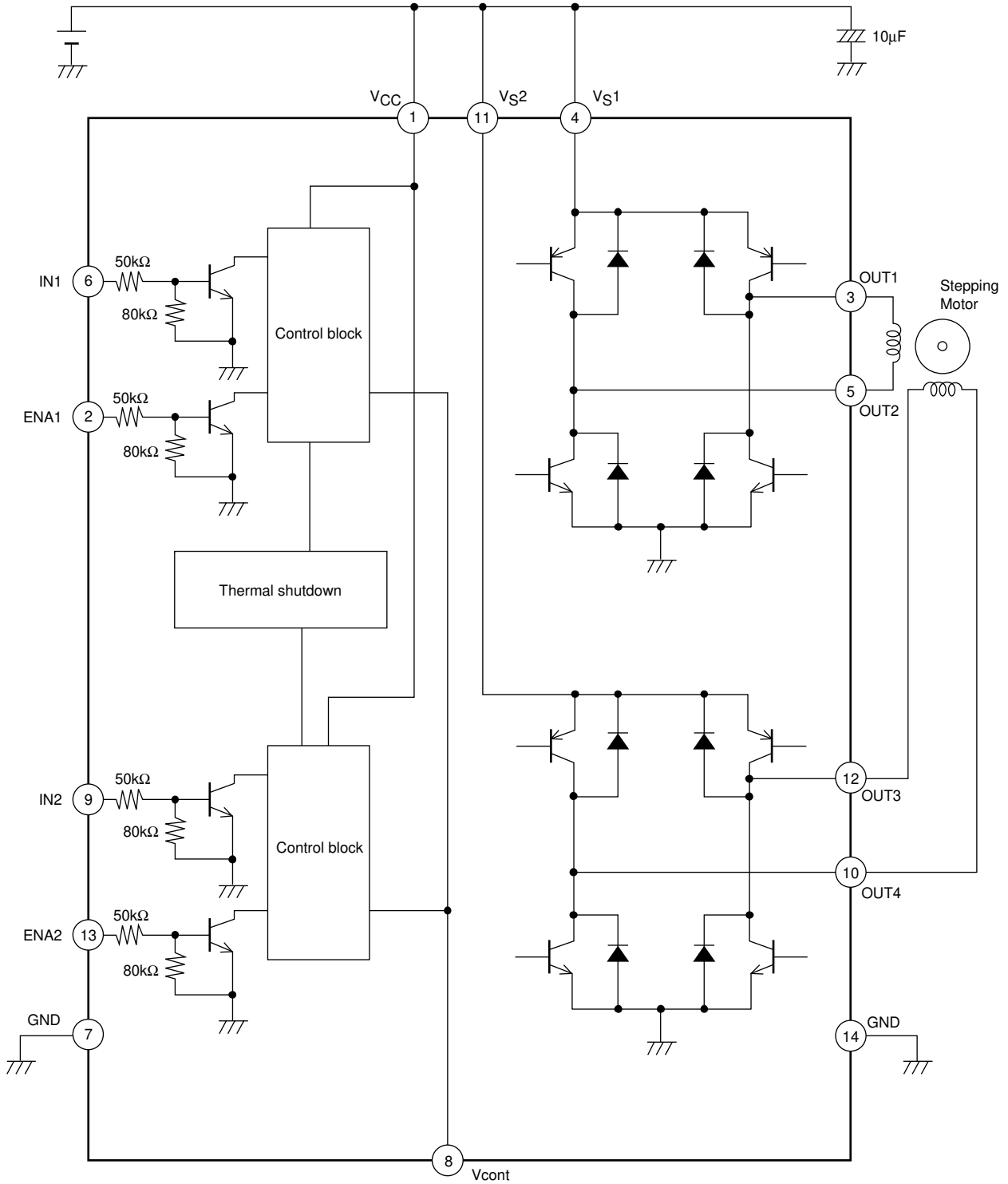
Note: Connect both ground pins.

ILB00047

Truth Table

IN 1/2	ENA 1/2	OUT 1/3	OUT 2/4	Mode
L	H	H	L	Forward
H	H	L	H	Reverse
L	L	OFF	OFF	Standby
H	L	OFF	OFF	Standby

Equivalent Circuit Block Diagram



* There are no constraints on the relationship between the applied voltage to V_{CC} , V_{S1} , V_{S2} , EN_{A1} , EN_{A2} , IN_1 , and IN_2 within the absolute maximum ratings (For example, this IC can be used at $V_{CC}=3V$, $V_{S1}=V_{S2}=2V$, and $EN_{A1}=EN_{A2}=IN_1=IN_2=5V$)

ON Semiconductor and the ON logo are registered trademarks of Semiconductor Components Industries, LLC (SCILLC). SCILLC owns the rights to a number of patents, trademarks, copyrights, trade secrets, and other intellectual property. A listing of SCILLC's product/patent coverage may be accessed at www.onsemi.com/site/pdf/Patent-Marking.pdf. SCILLC reserves the right to make changes without further notice to any products herein. SCILLC makes no warranty, representation or guarantee regarding the suitability of its products for any particular purpose, nor does SCILLC assume any liability arising out of the application or use of any product or circuit, and specifically disclaims any and all liability, including without limitation special, consequential or incidental damages. "Typical" parameters which may be provided in SCILLC data sheets and/or specifications can and do vary in different applications and actual performance may vary over time. All operating parameters, including "Typicals" must be validated for each customer application by customer's technical experts. SCILLC does not convey any license under its patent rights nor the rights of others. SCILLC products are not designed, intended, or authorized for use as components in systems intended for surgical implant into the body, or other applications intended to support or sustain life, or for any other application in which the failure of the SCILLC product could create a situation where personal injury or death may occur. Should Buyer purchase or use SCILLC products for any such unintended or unauthorized application, Buyer shall indemnify and hold SCILLC and its officers, employees, subsidiaries, affiliates, and distributors harmless against all claims, costs, damages, and expenses, and reasonable attorney fees arising out of, directly or indirectly, any claim of personal injury or death associated with such unintended or unauthorized use, even if such claim alleges that SCILLC was negligent regarding the design or manufacture of the part. SCILLC is an Equal Opportunity/Affirmative Action Employer. This literature is subject to all applicable copyright laws and is not for resale in any manner.