



Chipsmall Limited consists of a professional team with an average of over 10 year of expertise in the distribution of electronic components. Based in Hongkong, we have already established firm and mutual-benefit business relationships with customers from,Europe,America and south Asia,supplying obsolete and hard-to-find components to meet their specific needs.

With the principle of "Quality Parts,Customers Priority,Honest Operation,and Considerate Service",our business mainly focus on the distribution of electronic components. Line cards we deal with include Microchip,ALPS,ROHM,Xilinx,Pulse,ON,Everlight and Freescale. Main products comprise IC,Modules,Potentiometer,IC Socket,Relay,Connector.Our parts cover such applications as commercial,industrial, and automotives areas.

We are looking forward to setting up business relationship with you and hope to provide you with the best service and solution. Let us make a better world for our industry!



Contact us

Tel: +86-755-8981 8866 Fax: +86-755-8427 6832

Email & Skype: info@chipsmall.com Web: www.chipsmall.com

Address: A1208, Overseas Decoration Building, #122 Zhenhua RD., Futian, Shenzhen, China



- 1 . Part Number: LBF6222- 20DLXA- A
- 2 . Structure: The LED light bar mounted LED dice (bare chip) on substrate by array
(2serial 2parallel 2color)
- 3 . Application: Lighting source
- 4 . Maximum Condition (T a = 2 5 ° C)

Item	Symbol	Condition	Unit
Admissibility dissipation ※ 1	P _o	2.88	W
Forward Current ※ 1	I _F	0.4	A
Operation Temperature	T _{op}	-30 ~ +85	°C
Preservation Temperature	T _{stg}	-40 ~ +100	°C
Junction Temperature	T _j	125	°C

※ 1 : one color (D; 6500K / L; 2700K)

- 5 . Electrical and optical Characteristics (T a = 2 5 ° C)

Item	Symbol	Min.	Typ.	Max.	Unit	Condition
Forward Voltage ※ 2	V _F	5.3	5.8	6.3	V	I _F = 150 mA
Luminous Flux (D) ※ 3	Φ _v	114.9	118.5	-	lm	I _F = 150 mA
Luminous Flux (L) ※ 3	Φ _v	98.3	101.4	-	lm	I _F = 150 mA
Color Temperature (D)	T _{cp}	6025	6406	6787	K	I _F = 150 mA
Color Temperature (L)	T _{cp}	2613	2739	2865	K	I _F = 150 mA
Deviation Color (D)	duv	+0.0009	+0.0048	+0.0086	-	I _F = 150 mA
Deviation Color (L)	duv	-0.0034	+0.0004	+0.0041	-	I _F = 150 mA
General Color Rendering Index	R _a	75	80	-	-	I _F = 150 mA

※ 1 : measurement tolerance : ± 3 %

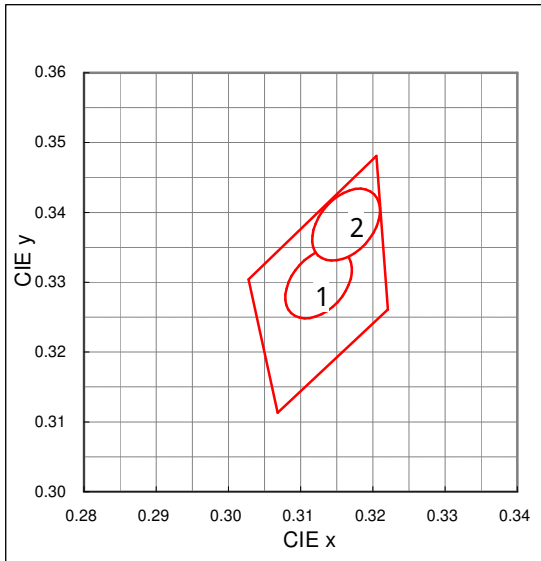
※ 2 : measurement tolerance : ± 7 %

※ These data are measured by a measuring equipment complying with CIE125 Condition B.

DESIGN	CHECK	APPROVAL	DATE: 2012/9/6	SPECIFICATION No.: Target SPEC
			REV. A	ROHM Co.,Ltd.

6 . Chromaticity coordinate (T a = 2 5 °C、 I F = 1 5 0 m A、 measurement tolerance : ± 0.005)

① D ; 6500K



Chromaticity
coordinates Point

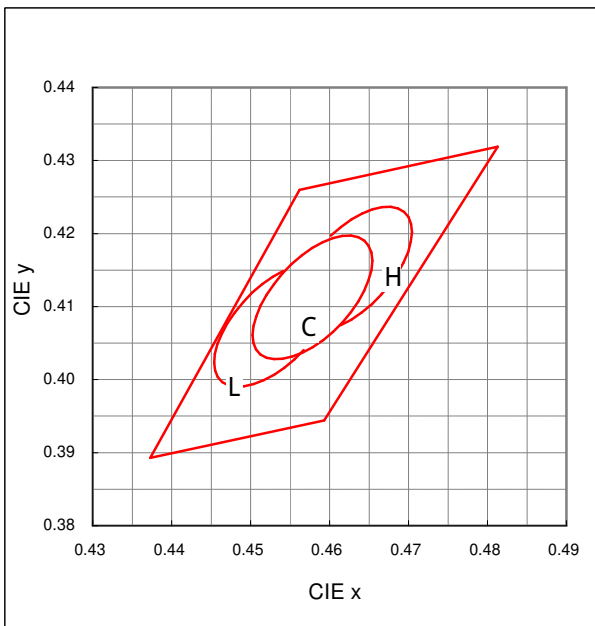
6500K- 2	
x	y
0.3163	0.3382
6500K- 1	
x	y
0.3125	0.3298
※ MacAdam ellipse 3step	

ANSI C78.377 standard

LBF62*	
6500K	
x	y
0.3068	0.3113
0.3221	0.3261
0.3205	0.3481
0.3028	0.3304
center point (0.3123,0.3282)	

<Range within 1Bar>
x : R ≤ 0.015
y : R ≤ 0.020
(R=max- min)

② L ; 2700K



Chromaticity
coordinates Point

2700K- H	
x	y
0.4628	0.4150
2700K- C	
x	y
0.45785	0.41115
2700K- L	
x	y
0.4529	0.4073
※ MacAdam ellipse 4step	

ANSI C78.377 standard

LBF62*	
2700K	
x	y
0.4373	0.3893
0.4593	0.3944
0.4813	0.4319
0.4562	0.4260
center point (0.4578,0.4101)	

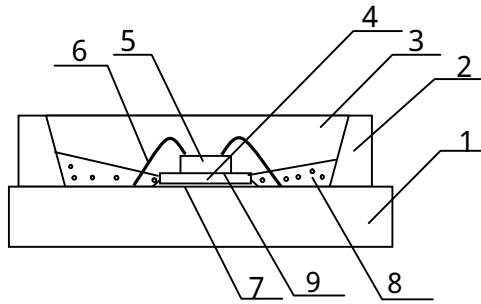
<Range within 1Bar>
x : R ≤ 0.015
y : R ≤ 0.020
(R=max- min)

The product that is located in the square A except for the area of the MacAdam ellipses is to be discussed for sales.

※ Color rank

color rank		2700K		
		L	C	H
6500K	1	L1	C1	H1
	2	L2	C2	H2

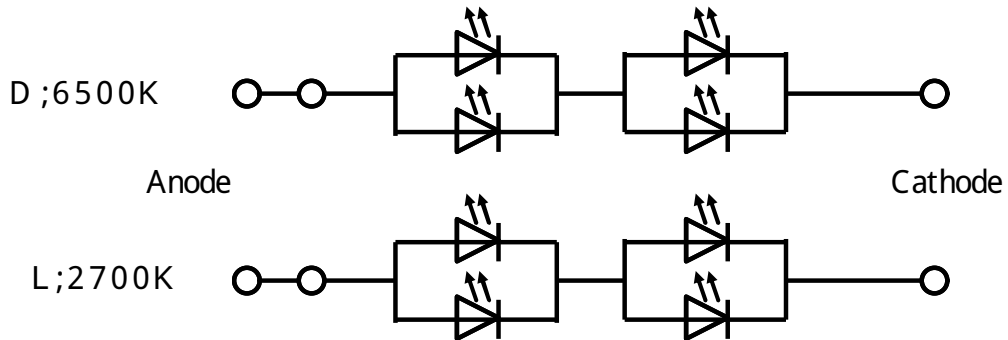
7. Structure



Nb	Parts Name	Material
1	Substrate	CEM3 Substrate
2	White Resin	Silicone Resin
3	Resin	Silicone Resin
4	Sub Mount Substrate	Si
5	LED Die	InGaN on Sapphire
6	Bonding Wire	Au
7	Die Bond	Ag
8	White Resin	Silicone Resin (TiO ₂)
9	Die Bond	Silicone Resin

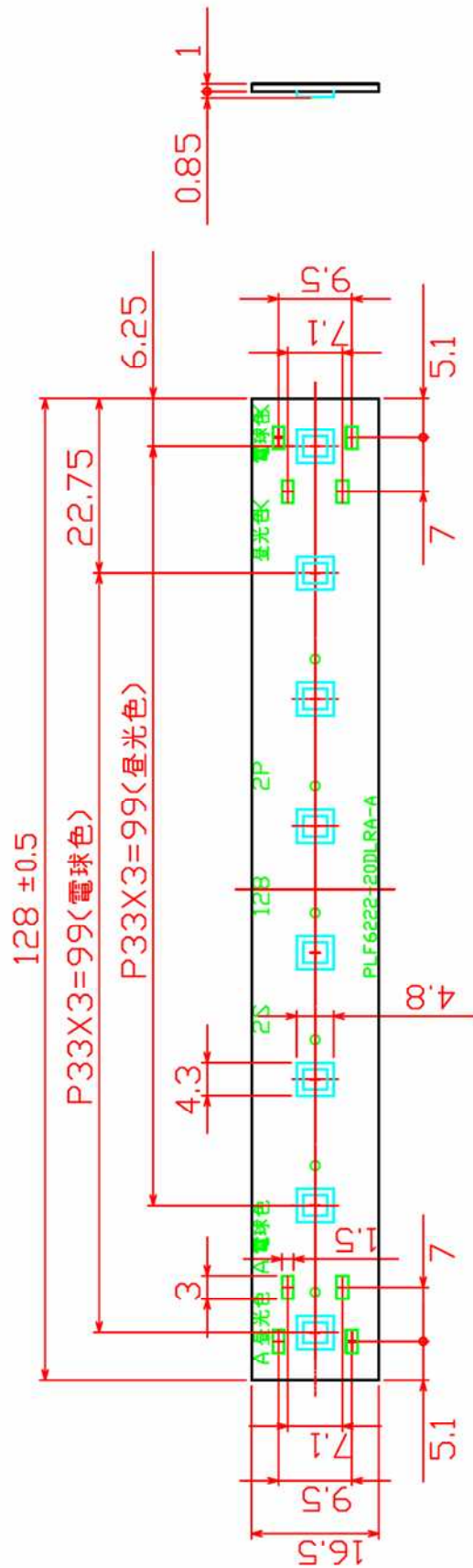
8. Circuit Diagram

2 serial 2 parallel



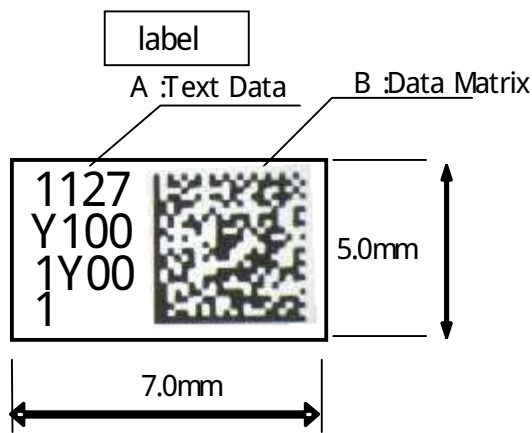
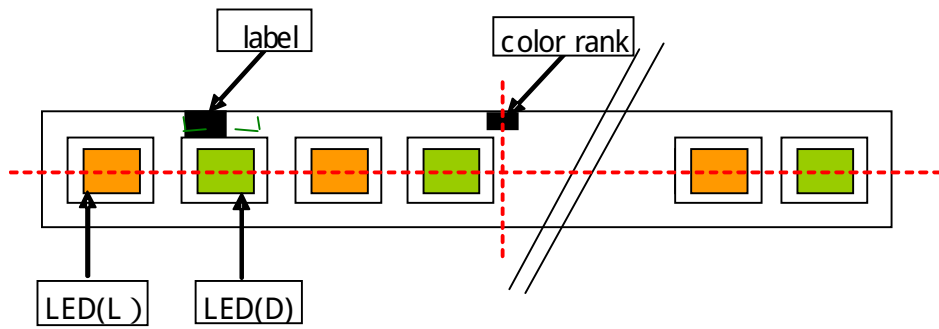
9 . Di mensi on

(Unit: mm)

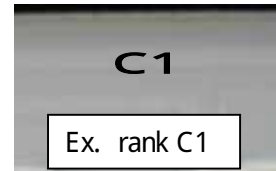


Tolerance: ± 0.3

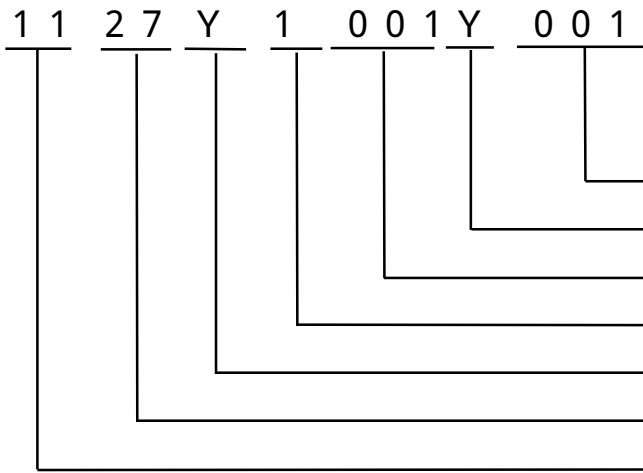
1 0. Product Label



Color rank (L1,L2,C1,C2,H1,H2)



[A] Text Data



- Serial Number (001- 999)
- Country of production (Y : China)
- Lot No. (001- 999)
- Week symbol (1- 7)
- Factory Control symbol
- Week of production (01- 53)
- Year of producti on (11-)

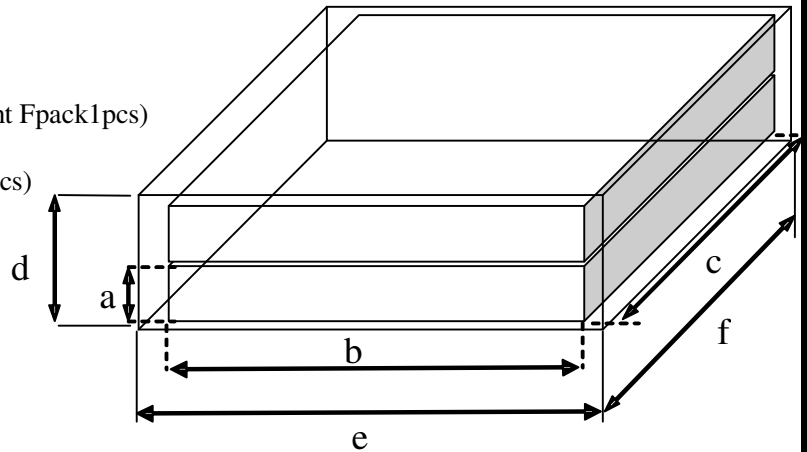
[B] Data Matrix

L B F 6 2 2 2 - 2 0 D L X A - A	(16grids)	Part Number
1 1 2 7 Y 1 0 0 1 Y 0 0 1	(13grids)	Lot Number
1 2 3 4 5 6 7 8	(8grids)	Factory Control Part

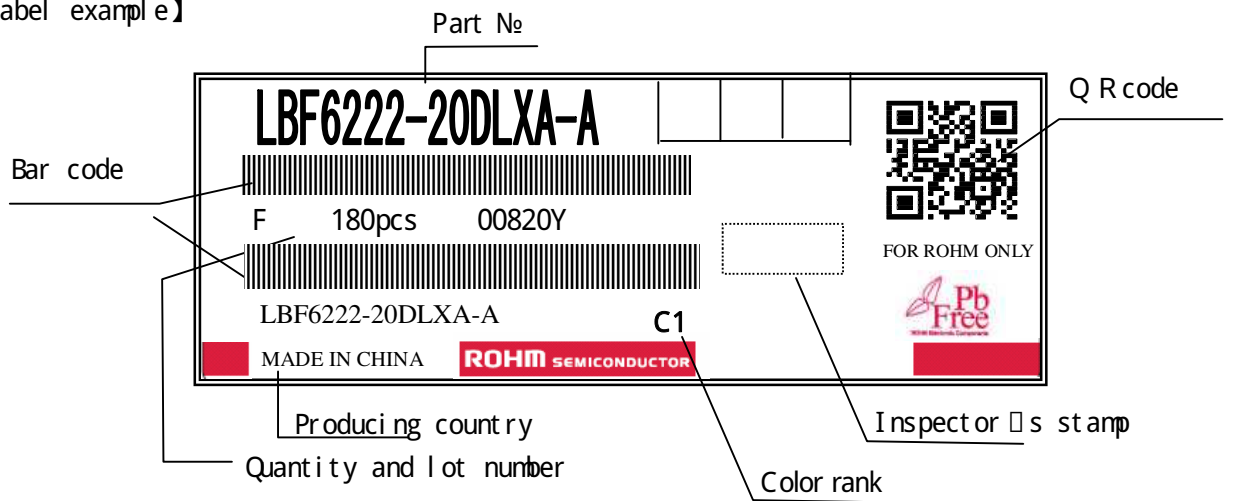
1.1 . Packing

【Package】

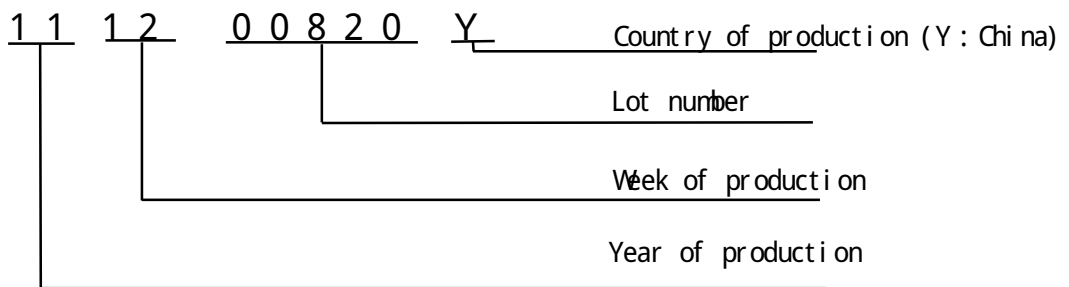
- (1) 18 Bars are on one film tray.
- (2) Inner package size (Fpack10pcs+vacant Fpack1pcs)
(a)60 x (b)300 x (c)343 (Unit: mm)
- (3) Outer package size(inner package× 2pcs)
(d)155 x (e)313 x (f)353 (Unit: mm)



【 Label example】



【Lot number example】



【Manufacturing factory (country of origin)】

• ROHM SEMICONDUCTOR CHINA CO., LTD. (China)