



Chipsmall Limited consists of a professional team with an average of over 10 year of expertise in the distribution of electronic components. Based in Hongkong, we have already established firm and mutual-benefit business relationships with customers from,Europe,America and south Asia,supplying obsolete and hard-to-find components to meet their specific needs.

With the principle of “Quality Parts,Customers Priority,Honest Operation,and Considerate Service”,our business mainly focus on the distribution of electronic components. Line cards we deal with include Microchip,ALPS,ROHM,Xilinx,Pulse,ON,Everlight and Freescale. Main products comprise IC,Modules,Potentiometer,IC Socket,Relay,Connector.Our parts cover such applications as commercial,industrial, and automotives areas.

We are looking forward to setting up business relationship with you and hope to provide you with the best service and solution. Let us make a better world for our industry!



Contact us

Tel: +86-755-8981 8866 Fax: +86-755-8427 6832

Email & Skype: info@chipsmall.com Web: www.chipsmall.com

Address: A1208, Overseas Decoration Building, #122 Zhenhua RD., Futian, Shenzhen, China



1. Part Number: LBF7130-A0NRA
2. Structure: The LED light bar
 Mounted LED dice (bare chip) on substrate by array
1series 30 string × 4series(Area) / 1Bar
Aperture : 4 Area (LED: 120 chips)
3. Application: LCD Light Source
4. Maximum Conditions (1Bar) : (Ta= 25°C)

Item	Symbol	Maximum Condition	Unit
Operation Temperature	T _{op}	-20 ~ +80	°C
Storage Temperature	T _{st}	-20 ~ +80	°C
Forward Current (1 chip) *1	I _F	2.5	A
Surged Current (1chip) t _p =100μs Duty ≤ 1/10	I _{FSM}	5	A
Power Consumption	P _{tot}	30	W
Junction Temperature	T _{JMAX}	125	°C

*1) Forward current would be changed by mounting condition (heat radiate condition) to a body.

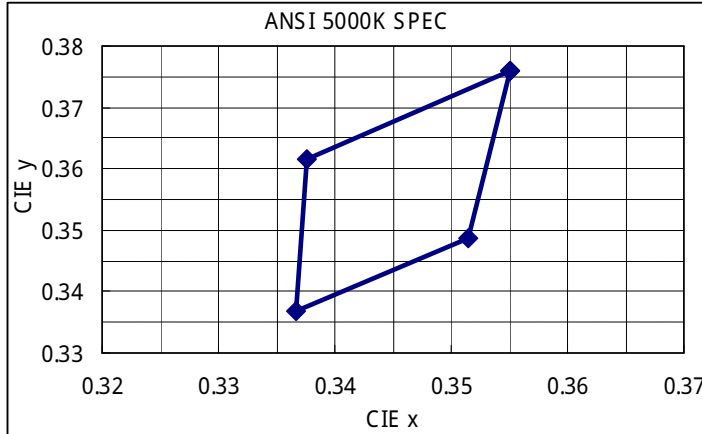
5. LED Bar (1Bar) Characteristics : (Ta = 25°C)

Item	Symbol	Min.	Typ.	Max.	Unit	Condition
Forward Voltage	V _F	11	12.4	13.8	V	I _F = 2A
Luminous Flux	Φ _v	2475	2750	-	Lm	I _F = 2A
Color Temperature	T _{cp}	4745	5028	5311	K	I _F = 2A
	duv	-0.004	0.002	0.008	-	I _F = 2A
Color Randering	R _a		70		-	I _F = 2A

- * Above Characteristics are initial value of immediate lighting LED .
 And it is affected by the condition of LED Bar attached to heat spreader.
 * Tolerance: V_F:±0.2V, Φ_v:±7%, Color Temperature:±100K

DESIGN	CHECK	APPROVAL	DATE: 2012/8/28	SPECIFICATION No. Target Spec
			REV. A	ROHM Co.,Ltd.

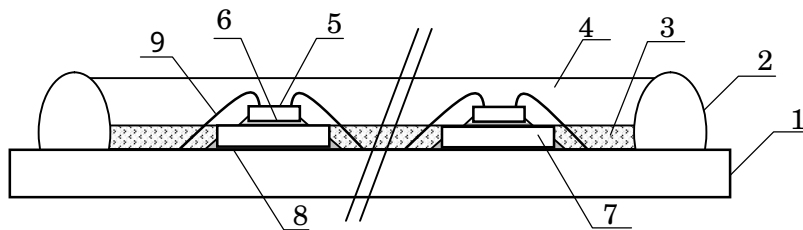
6. Chromaticity diagram (Ta=25°C , If=2A)



4745- 5311K	
x	y
0.3551	0.3760
0.3376	0.3616
0.3366	0.3369
0.3515	0.3487

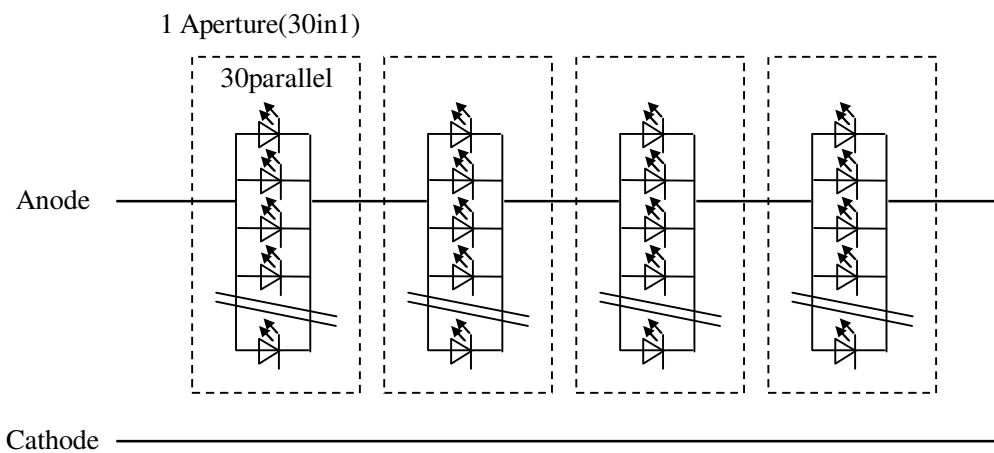
Tolerance : ± 0.005

7. Structure

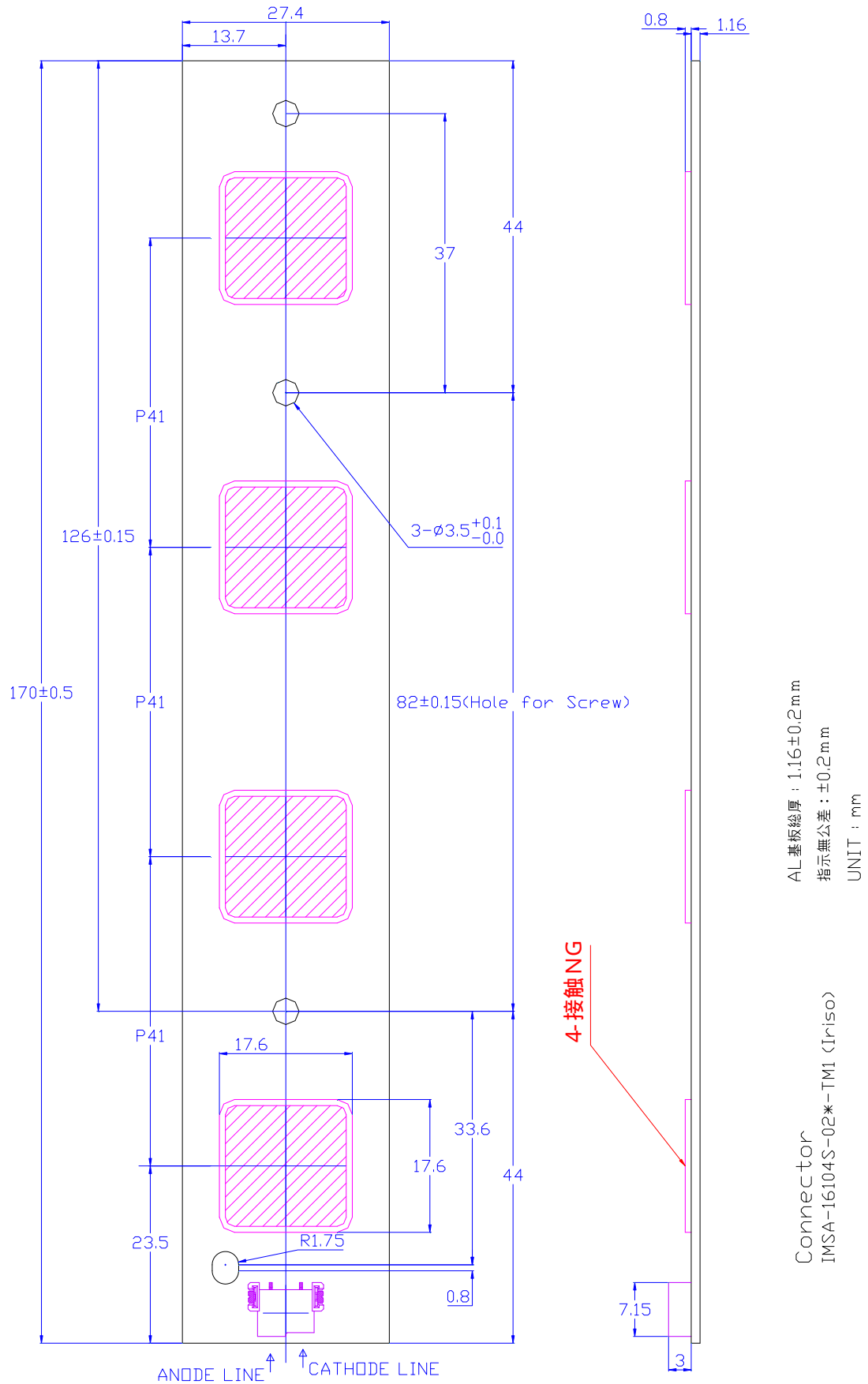


No	Parts Name	Material
1	Substrate	Al
2	Reflector	Silicone Resin
3	White Resin	Silicone Resin
4	Resin	Silicone Resin
5	LED Die	InGaN on Al ₂ O ₃
6	Die Bond	Silicone Resin
7	Sub Mount Substrate	Si
8	Die Bond	Ag
9	Bonding Wire	Au

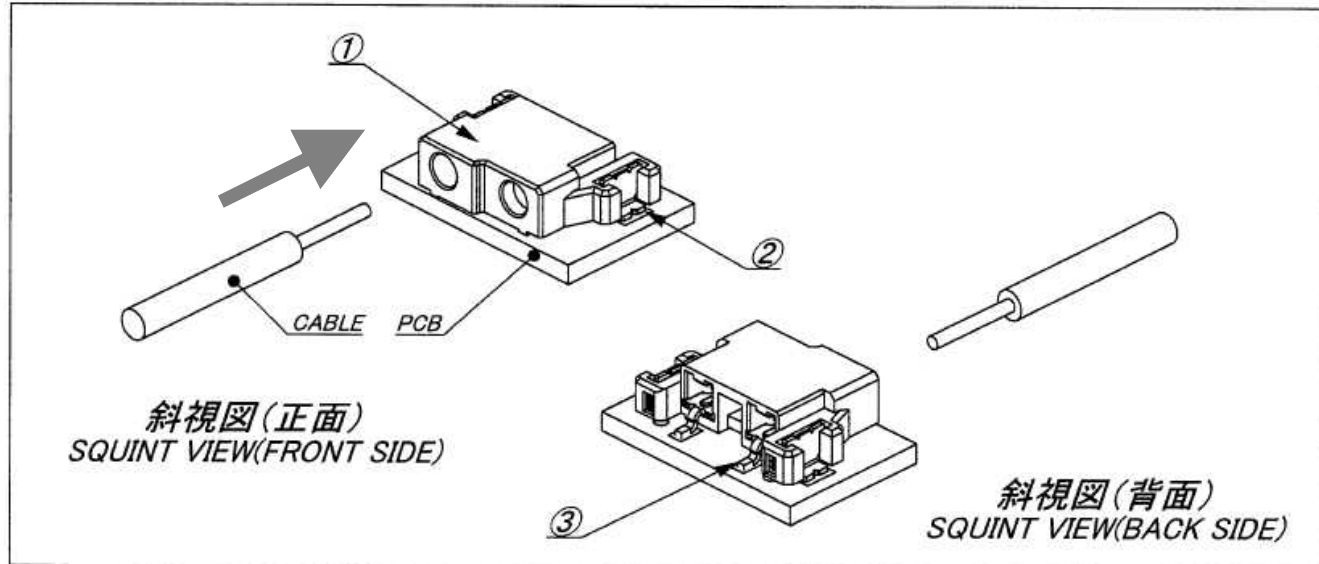
8. Circuit Diagram (1Bar)



9. Dimension

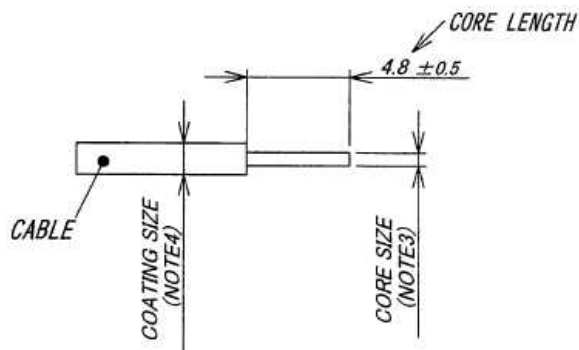


10.Connector



NOTE

1. 定格電圧・電流 ; 250V (AC/DC) 、 3A
MAXIMUM RATING VOLTAGE ; 250V (AC/DC)
MAXIMUM RATING CURRENT ; 3A
2. コプラナリティ ; 0.1max.
COPLANARITY ; 0.1max.
3. ケーブル仕様 (芯線外形)
CABLE CORE APPLICABLE (CORE SIZE)
単線 ; AWG#22、芯線外形φ0.645±0.02
SINGLE CORE ; AWG#22, CABLE CORE φ0.645±0.02
撚線 ; AWG#24、芯線外形φ0.645±0.04
TWISTED CORE ; AWG#24, CABLE CORE φ0.645±0.04
(撚線の芯線外形は半田上げ処理後のものとする。)
(AFTER SOLDER COATING)
4. ケーブル仕様 (被覆外形)
CABLE COATING APPLICABLE (COATING SIZE)
φ1.5max.
φ1.5max.
5. 当該品はウィスカの発生を通常品よりも抑制する効果を持たせた製品ではありますが、ウィスカの発生を無くす事を保証する製品ではありません。
APPLICABLE PRODUCT HAS EFFECT TO SUPPRESS THE OCCURRENCE OF WHISKER THAN NORMAL. HOWEVER, IT IS NOT A PRODUCT THAT GUARANTEES THAT THERE IS NO OCCURRENCE OF WHISKER.



* Above information is quoted form 「Iriso」 . . . IMSA-16104S-02*-TM1
So above information is not covered by warranty.