



Chipsmall Limited consists of a professional team with an average of over 10 year of expertise in the distribution of electronic components. Based in Hongkong, we have already established firm and mutual-benefit business relationships with customers from,Europe,America and south Asia,supplying obsolete and hard-to-find components to meet their specific needs.

With the principle of “Quality Parts,Customers Priority,Honest Operation,and Considerate Service”,our business mainly focus on the distribution of electronic components. Line cards we deal with include Microchip,ALPS,ROHM,Xilinx,Pulse,ON,Everlight and Freescale. Main products comprise IC,Modules,Potentiometer,IC Socket,Relay,Connector.Our parts cover such applications as commercial,industrial, and automotives areas.

We are looking forward to setting up business relationship with you and hope to provide you with the best service and solution. Let us make a better world for our industry!



## Contact us

Tel: +86-755-8981 8866 Fax: +86-755-8427 6832

Email & Skype: info@chipsmall.com Web: www.chipsmall.com

Address: A1208, Overseas Decoration Building, #122 Zhenhua RD., Futian, Shenzhen, China





# CCB LC75863W

CMOS IC

## 1/3 Duty LCD Display Driver with Key Input Function

ON Semiconductor®

<http://onsemi.com>

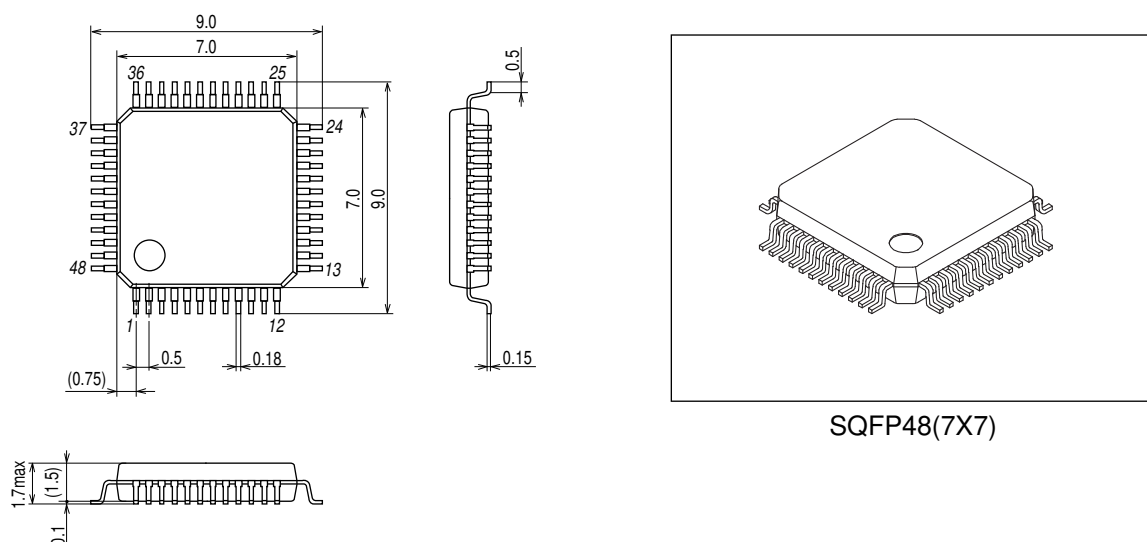
### Overview

The LC75863W is the 1/3 duty LCD display driver that can directly drive up to 75 segments and can control up to four general-purpose output ports. This product also incorporates a key scan circuit that accepts input from up to 30 keys to reduce printed circuit board wiring.

### Features

- Key input function for up to 30 keys (A key scan is performed only when a key is pressed.)
- 1/3duty - 1/2bias and 1/3duty - 1/3bias drive schemes can be controlled from serial data (up to 75 segments).
- Sleep mode and all segments off functions that are controlled from serial data.
- Segment output port/general-purpose output port function switching that is controlled from serial data.
- Serial data I/O supports CCB format communication with the system controller.
- Direct display of display data without the use of a decoder provides high generality.
- Independent  $V_{LCD}$  for the LCD driver block ( $V_{LCD}$  can be set to in the range  $V_{DD}$ -0.5 to 6.0 volts.)
- Provision of an on-chip voltage-detection type reset circuit prevents incorrect displays.
- RC oscillator circuit.

- CCB is ON Semiconductor®'s original format. All addresses are managed by ON Semiconductor® for this format.



- CCB is a registered trademark of Semiconductor Components Industries, LLC.

### ORDERING INFORMATION

See detailed ordering and shipping information on page 25 of this data sheet.

# LC75863W

## Specifications

**Absolute Maximum Ratings** at  $T_a = 25^\circ\text{C}$ ,  $V_{SS} = 0\text{V}$

| Parameter                   | Symbol               | Conditions                                    | Ratings               | Unit             |
|-----------------------------|----------------------|---|-----------------------|------------------|
| Maximum supply voltage      | $V_{DD\text{ max}}$  | $V_{DD}$                                      | -0.3 to +7.0          | V                |
|                             | $V_{LCD\text{ max}}$ | $V_{LCD}$                                     | -0.3 to +7.0          |                  |
| Input voltage               | $V_{IN1}$            | CE, CL, DI                                    | -0.3 to +7.0          | V                |
|                             | $V_{IN2}$            | OSC, TEST                                     | -0.3 to $V_{DD}+0.3$  |                  |
|                             | $V_{IN3}$            | $V_{LCD1}$ , $V_{LCD2}$ , K11 to K15          | -0.3 to $V_{LCD}+0.3$ |                  |
| Output voltage              | $V_{OUT1}$           | DO  | -0.3 to +7.0          | V                |
|                             | $V_{OUT2}$           | OSC   | -0.3 to $V_{DD}+0.3$  |                  |
|                             | $V_{OUT3}$           | S1 to S25, COM1 to COM3, KS1 to KS6, P1 to P4 | -0.3 to $V_{LCD}+0.3$ |                  |
| Output current              | $I_{OUT1}$           | S1 to S25                                     | 300                   | $\mu\text{A}$    |
|                             | $I_{OUT2}$           | COM1 to COM3                                  | 3                     | mA               |
|                             | $I_{OUT3}$           | KS1 to KS6                                    | 1                     |                  |
|                             | $I_{OUT4}$           | P1 to P4                                      | 5                     |                  |
| Allowable power dissipation | $P_d\text{ max}$     | $T_a = 85^\circ\text{C}$                      | 150                   | mW               |
| Operating temperature       | $T_{opr}$            |   | -40 to +85            | $^\circ\text{C}$ |
| Storage temperature         | $T_{stg}$            |   | -55 to +125           | $^\circ\text{C}$ |

Stresses exceeding Maximum Ratings may damage the device. Maximum Ratings are stress ratings only. Functional operation above the Recommended Operating Conditions is not implied. Extended exposure to stresses above the Recommended Operating Conditions may affect device reliability.

**Allowable Operating Ranges** at  $T_a = -40$  to  $+85^\circ\text{C}$ ,  $V_{SS} = 0\text{V}$

| Parameter                        | Symbol       | Conditions  | Ratings      |              |             | unit             |
|----------------------------------|--------------|---|--------------|--------------|-------------|------------------|
|                                  |              |   | min          | typ          | max         |                  |
| Supply voltage                   | $V_{DD}$     | $V_{DD}$  | 4.5          |              | 6.0         | V                |
|                                  | $V_{LCD}$    | $V_{LCD}$   | $V_{DD}-0.5$ |              | 6.0         |                  |
| Input voltage                    | $V_{LCD1}$   | $V_{LCD1}$  |              | $2/3V_{LCD}$ | $V_{LCD}$   | V                |
|                                  | $V_{LCD2}$   | $V_{LCD2}$  |              | $1/3V_{LCD}$ | $V_{LCD}$   |                  |
| Input high level voltage         | $V_{IH1}$    | CE, CL, DI  | $0.8V_{DD}$  |              | 6.0         | V                |
|                                  | $V_{IH2}$    | K11 to K15  | $0.6V_{DD}$  |              | $V_{DD}$    |                  |
| Input low level voltage          | $V_{IL}$     | CE, CL, DI, K11 to K15  | 0            |              | $0.2V_{DD}$ | V                |
| Recommended external resistance  | $R_{osc}$    | OSC   |              | 39           |             | $\text{k}\Omega$ |
| Recommended external capacitance | $C_{osc}$    | OSC   |              | 1000         |             | pF               |
| Guaranteed oscillation range     | $f_{osc}$    | OSC   | 19           | 38           | 76          | kHz              |
| Data setup time                  | $t_{ds}$     | CL, DI [Figure 2]   | 160          |              |             | ns               |
| Data hold time                   | $t_{dh}$     | CL, DI [Figure 2]   | 160          |              |             | ns               |
| CE wait time                     | $t_{cp}$     | CE, CL [Figure 2]   | 160          |              |             | ns               |
| CE setup time                    | $t_{cs}$     | CE, CL [Figure 2]   | 160          |              |             | ns               |
| CE hold time                     | $t_{ch}$     | CE, CL [Figure 2]   | 160          |              |             | ns               |
| High level clock pulse width     | $t_{\phi H}$ | CL [Figure 2]   | 160          |              |             | ns               |
| Low level clock pulse width      | $t_{\phi L}$ | CL [Figure 2]   | 160          |              |             | ns               |
| Rise time                        | $t_r$        | CE, CL, DI [Figure 2]   |              | 160          |             | ns               |
| Fall time                        | $t_f$        | CE, CL, DI [Figure 2]   |              | 160          |             | ns               |
| DO output delay time             | $t_{dc}$     | DO $R_{pU} = 4.7\text{k}\Omega$ , $C_L = 10\text{pF}$ *1 [Figure 2] |              |              | 1.5         | $\mu\text{s}$    |
| DO rise time                     | $t_{dr}$     | DO $R_{pU} = 4.7\text{k}\Omega$ , $C_L = 10\text{pF}$ *1 [Figure 2] |              |              | 1.5         | $\mu\text{s}$    |

Note: \*1. Since DO is an open-drain output, these times depend on the values of the pull-up resistor  $R_{pU}$  and the load capacitance  $C_L$ .

# LC75863W

## Electrical Characteristics for the Allowable Operating Ranges

| Parameter                      | Symbol     | Pin                    | Conditions   | Ratings          |               |                  | unit      |
|--------------------------------|------------|------------------------|--|------------------|---------------|------------------|-----------|
|                                |            |                        |  | min              | typ           | max              |           |
| Hysteresis                     | $V_H$      | CE, CL, DI, K11 to K15 |  |                  | $0.1V_{DD}$   |                  | V         |
| Power-down detection voltage   | $V_{DET}$  |                        |  | 2.5              | 3.0           | 3.5              | V         |
| Input high level current       | $I_{IH}$   | CE, CL, DI             | $V_I = 6.0V$   |                  |               | 5.0              | $\mu A$   |
| Input low level current        | $I_{IL}$   | CE, CL, DI             | $V_I = 0V$   | -5.0             |               |                  | $\mu A$   |
| Input floating voltage         | $V_{IF}$   | K11 to K15             |  |                  |               | $0.05V_{DD}$     | V         |
| Pull-down resistance           | $R_{PD}$   | K11 to K15             | $V_{DD} = 5.0V$  | 50               | 100           | 250              | $k\Omega$ |
| Output off leakage current     | $I_{OFFH}$ | DO                     | $V_O = 6.0V$   |                  |               | 6.0              | $\mu A$   |
| Output high level voltage      | $V_{OH1}$  | KS1 to KS6             | $I_O = -500\mu A$  | $V_{LCD}-1.0$    | $V_{LCD}-0.5$ | $V_{LCD}-0.2$    | V         |
|                                | $V_{OH2}$  | P1 to P4               | $I_O = -1mA$   | $V_{LCD}-1.0$    |               |                  |           |
|                                | $V_{OH3}$  | S1 to S25              | $I_O = -20\mu A$   | $V_{LCD}-1.0$    |               |                  |           |
|                                | $V_{OH4}$  | COM1 to COM3           | $I_O = -100\mu A$  | $V_{LCD}-1.0$    |               |                  |           |
| Output low level voltage       | $V_{OL1}$  | KS1 to KS6             | $I_O = 25\mu A$  | 0.2              | 0.5           | 1.5              | V         |
|                                | $V_{OL2}$  | P1 to P4               | $I_O = 1mA$  |                  |               | 1.0              |           |
|                                | $V_{OL3}$  | S1 to S25              | $I_O = 20\mu A$  |                  |               | 1.0              |           |
|                                | $V_{OL4}$  | COM1 to COM3           | $I_O = 100\mu A$   |                  |               | 1.0              |           |
|                                | $V_{OL5}$  | DO                     | $I_O = 1mA$  |                  | 0.1           | 0.5              |           |
| Output middle level voltage *2 | $V_{MID1}$ | COM1 to COM3           | $1/2bias, I_O = \pm 100\mu A$                            | $1/2V_{LCD}-1.0$ |               | $1/2V_{LCD}+1.0$ | V         |
|                                | $V_{MID2}$ | S1 to S25              | $1/3bias, I_O = \pm 20\mu A$                             | $2/3V_{LCD}-1.0$ |               | $2/3V_{LCD}+1.0$ |           |
|                                | $V_{MID3}$ | S1 to S25              | $1/3bias, I_O = \pm 20\mu A$                             | $1/3V_{LCD}-1.0$ |               | $1/3V_{LCD}+1.0$ |           |
|                                | $V_{MID4}$ | COM1 to COM3           | $1/3bias, I_O = \pm 100\mu A$                            | $2/3V_{LCD}-1.0$ |               | $2/3V_{LCD}+1.0$ |           |
|                                | $V_{MID5}$ | COM1 to COM3           | $1/3bias, I_O = \pm 100\mu A$                            | $1/3V_{LCD}-1.0$ |               | $1/3V_{LCD}+1.0$ |           |
| Oscillator frequency           | fosc       | OSC                    | Rosc = 39k $\Omega$ , Cosc = 1000pF                      | 30.4             | 38            | 45.6             | kHz       |
| Current drain                  | $I_{DD1}$  | $V_{DD}$               | Sleep mode   |                  |               | 100              | $\mu A$   |
|                                | $I_{DD2}$  | $V_{DD}$               | $V_{DD} = 6.0V$ , output open, fosc = 38kHz              |                  | 270           | 540              |           |
|                                | $I_{LCD1}$ | $V_{LCD}$              | Sleep mode   |                  |               | 5                |           |
|                                | $I_{LCD2}$ | $V_{LCD}$              | $V_{LCD} = 6.0V$ , output open, $1/2bias$ , fosc = 38kHz |                  | 100           | 200              |           |
|                                | $I_{LCD3}$ | $V_{LCD}$              | $V_{LCD} = 6.0V$ , output open, $1/3bias$ , fosc = 38kHz |                  | 60            | 120              |           |

Note: \*2 Excluding the bias voltage generation divider resistor built into  $V_{LCD1}$  and  $V_{LCD2}$ . (See Figure 1.)

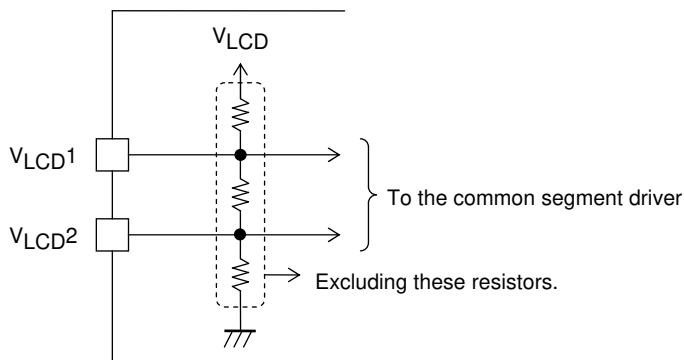
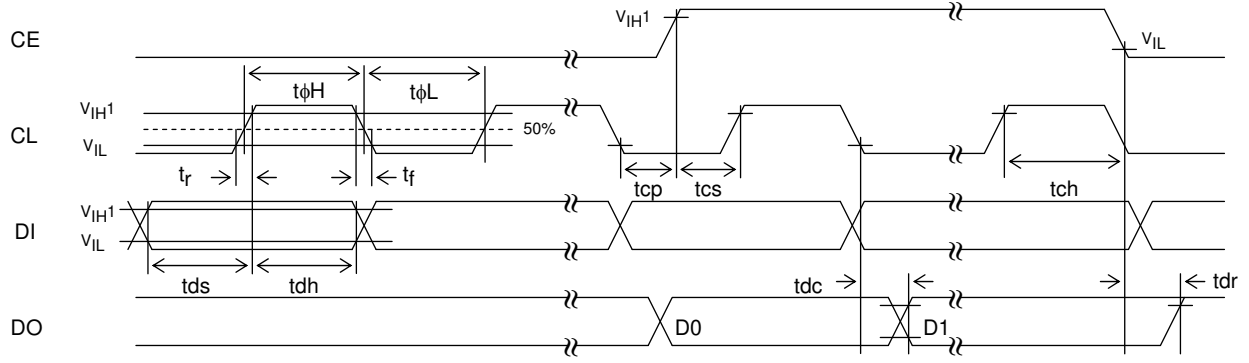


Figure 1

1. When CL is stopped at the low level



2. When CL is stopped at the high level

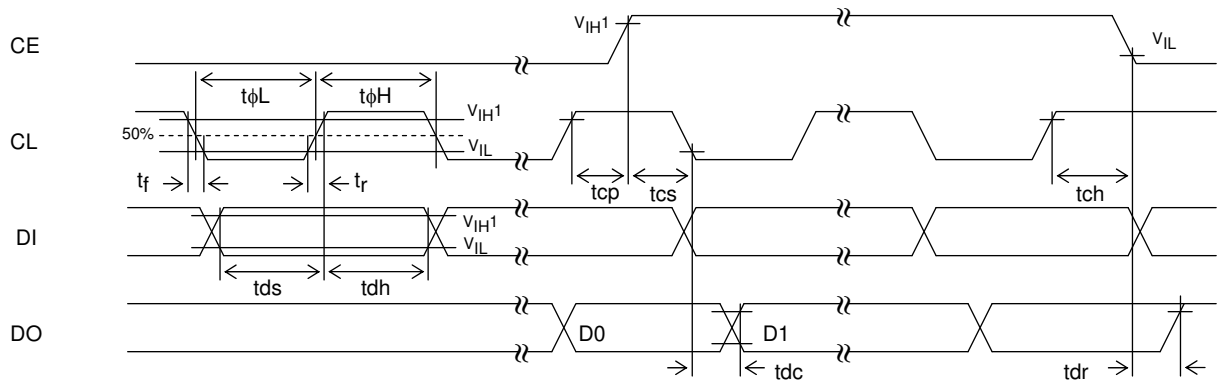
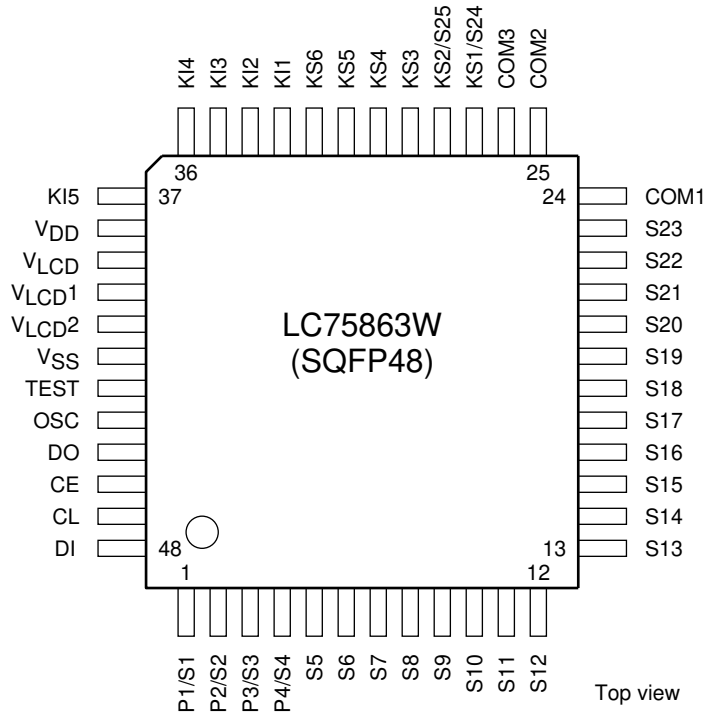


Figure 2

# LC75863W

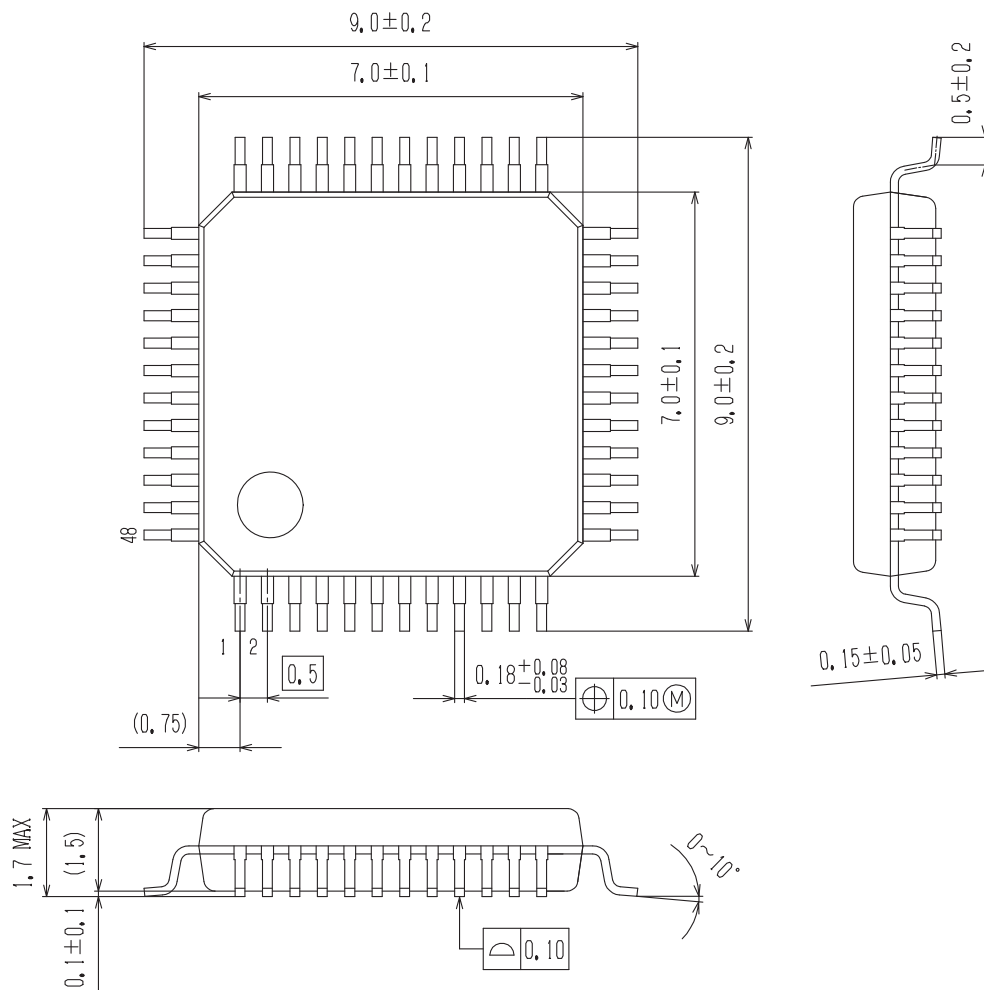
## Pin Assignment



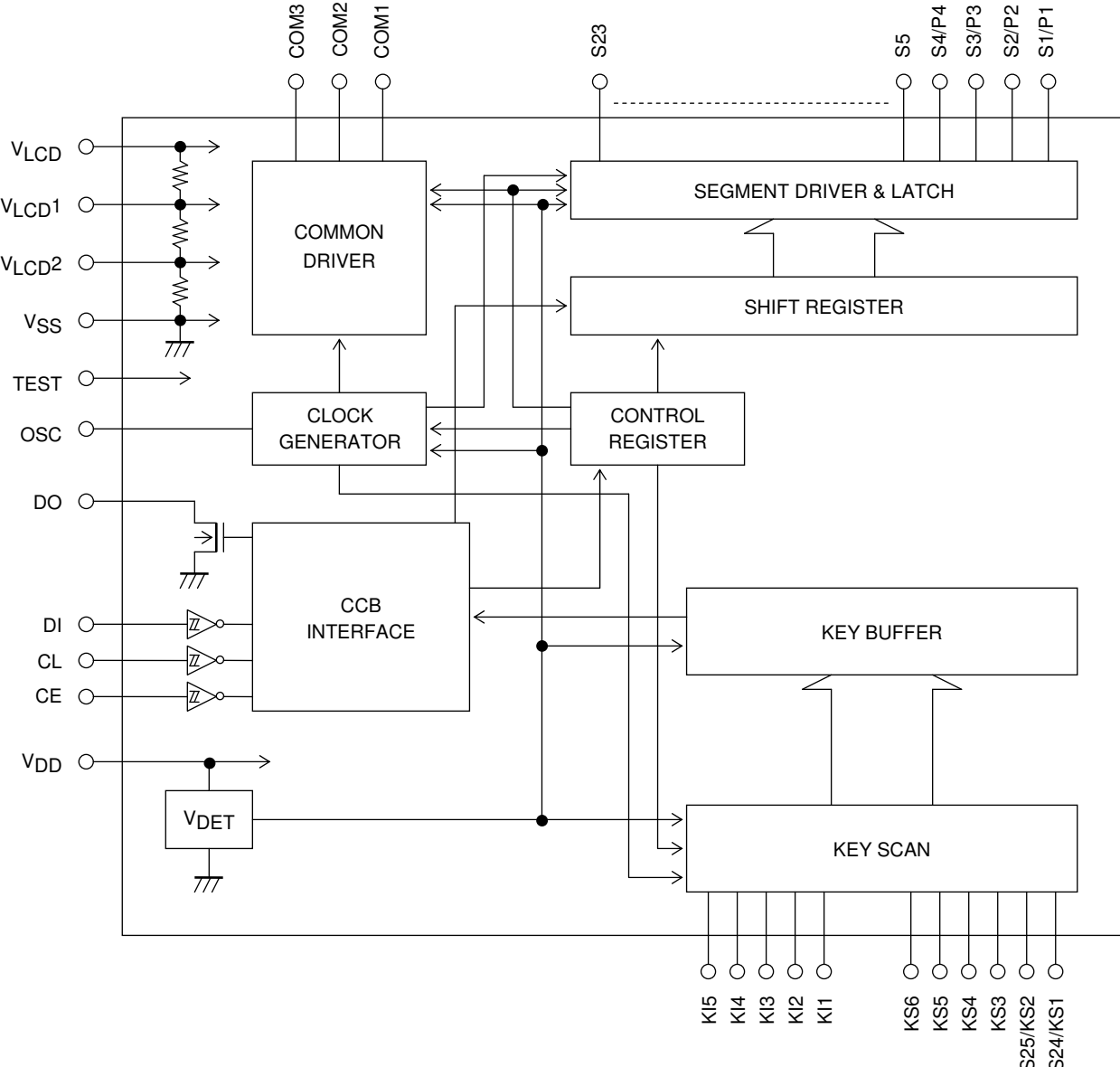
## Package Dimensions

unit:mm

SPQFP48 7x7 / SQFP48  
CASE 131AJ  
ISSUE 0

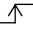


Block Diagram



# LC75863W

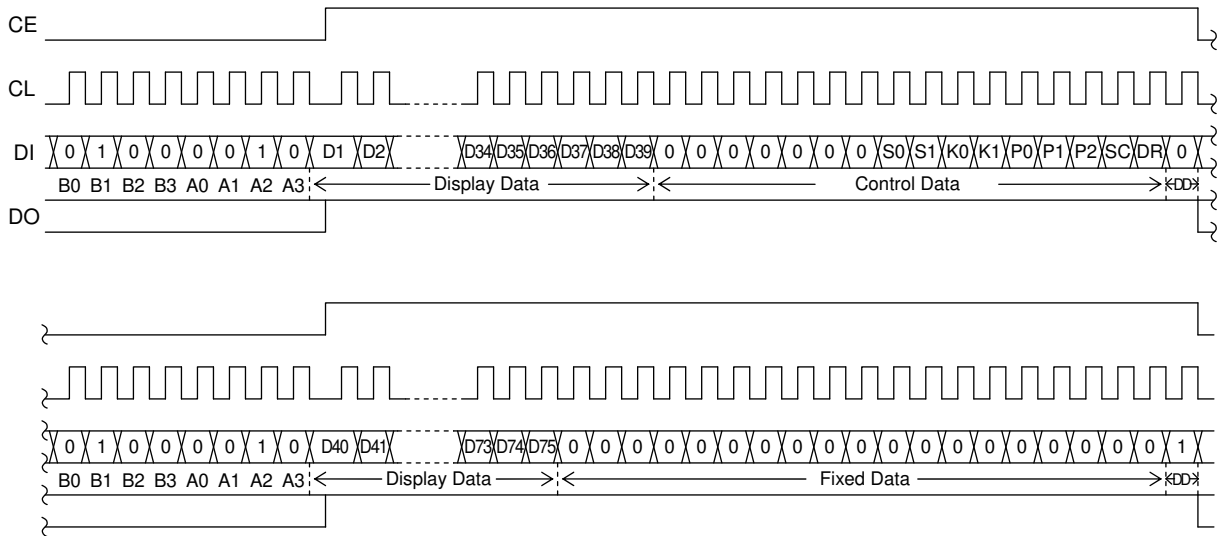
## Pin Functions

| Symbol  | Pin No.                     | Function  | Active   | I/O              | Handling when unused |
|---|-----------------------------|---|--|------------------|----------------------|
| S1/P1<br>S2/P2<br>S3/P3<br>S4/P4<br>S5 to S23 | 1<br>2<br>3<br>4<br>5 to 23 | Segment outputs for displaying the display data transferred by serial data input. The S1/P1 to S4/P4 pins can be used as general-purpose output ports under serial data control.  | -  | O                | OPEN                 |
| COM1<br>COM2<br>COM3                          | 24<br>25<br>26              | Common driver outputs<br>The frame frequency $f_0$ is given by : $f_0 = (f_{osc}/384)$ Hz.  | -  | O                | OPEN                 |
| KS1/S24<br>KS2/S25<br>KS3 to KS6              | 27<br>28<br>29 to 32        | Key scan outputs<br>Although normal key scan timing lines require diodes to be inserted in the timing lines to prevent shorts, since these outputs are unbalanced CMOS transistor outputs, these outputs will not be damaged by shorting when these outputs are used to form a key matrix. The KS1/S24 and KS2/S25 pins can be used as segment outputs when so specified by the control data. | -  | O                | OPEN                 |
| KI1 to KI5                                    | 33 to 37                    | Key scan inputs<br>These pins have built-in pull-down resistors.  | H  | I                | GND                  |
| OSC   | 44                          | Oscillator connection<br>An oscillator circuit is formed by connecting an external resistor and capacitor at this pin.  | -  | I/O              | $V_{DD}$             |
| CE<br>CL<br>DI<br>DO                          | 46<br>47<br>48<br>45        | Serial data interface connections to the controller. Note that DO, being an open-drain output, requires a pull-up resistor.<br>CE : Chip enable<br>CL : Synchronization clock<br>DI : Transfer data<br>DO : Output data   | H<br><br>-<br>- | I<br>I<br>I<br>O | GND<br>GND<br>OPEN   |
| TEST  | 43                          | This pin must be connected to ground.   | -  | I                | -                    |
| $V_{LCD1}$                                    | 40                          | Used for applying the LCD drive 2/3 bias voltage externally. Must be connected to $V_{LCD2}$ when a 1/2 bias drive scheme is used.  | -  | I                | OPEN                 |
| $V_{LCD2}$                                    | 41                          | Used for applying the LCD drive 1/3 bias voltage externally. Must be connected to $V_{LCD1}$ when a 1/2 bias drive scheme is used.  | -  | I                | OPEN                 |
| $V_{DD}$                                      | 38                          | Logic block power supply connection. Provide a voltage of between 4.5 and 6.0V.   | -  | -                | -                    |
| $V_{LCD}$                                     | 39                          | LCD driver block power supply connection. Provide a voltage of between $V_{DD}-0.5$ and 6.0V.   | -  | -                | -                    |
| $V_{SS}$                                      | 42                          | Power supply connection. Connect to ground.   | -  | -                | -                    |



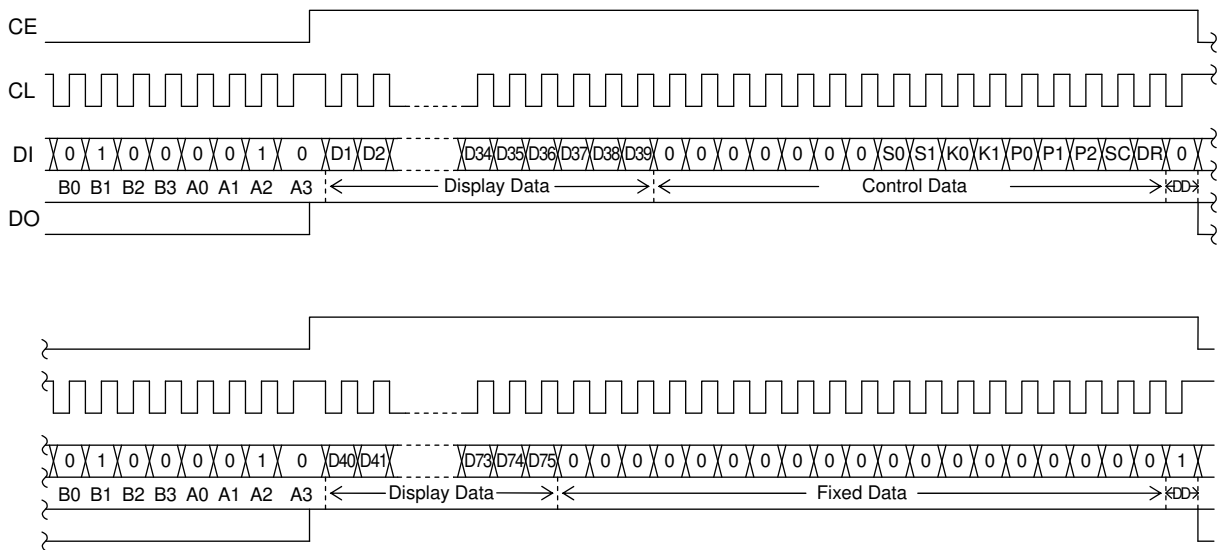
Serial Data Input

(1) When CL is stopped at the low level



Note: B0 to B3, A0 to A3 ..... CCB address  
 DD ..... Direction data

(2) When CL is stopped at the high level



Note: B0 to B3, A0 to A3 ..... CCB address  
 DD ..... Direction data

- CCB address ..... 42H
- D1 to D75 ..... Display data
- S0, S1 ..... Sleep control data
- K0, K1 ..... Key scan output/segment output selection data
- P0 to P2 ..... Segment output port/general-purpose output port selection data
- SC ..... Segment on/off control data
- DR ..... 1/2 bias or 1/3 bias drive selection data

**Control Data Functions**

(1) S0, S1 . . . . . Sleep control data

These control data bits switch between normal mode and sleep mode and set the states of the KS1 to KS6 key scan output during key scan standby.

| Control data |    | Mode   | OSC oscillator | Segment outputs<br>Common outputs | Output pin states during key scan standby |     |     |     |     |     |
|--------------|----|--------|----------------|-----------------------------------|---|-----|-----|-----|-----|-----|
| S0           | S1 |        |                |                                   | KS1                                       | KS2 | KS3 | KS4 | KS5 | KS6 |
| 0            | 0  | Normal | Operating      | Operating                         | H   | H   | H   | H   | H   | H   |
| 0            | 1  | Sleep  | Stopped        | L                                 | L   | L   | L   | L   | L   | H   |
| 1            | 0  | Sleep  | Stopped        | L                                 | L   | L   | L   | H   | H   | H   |
| 1            | 1  | Sleep  | Stopped        | L                                 | H   | H   | H   | H   | H   | H   |

Note: This assumes that the KS1/S24 and KS2/S25 output pins are selected for key scan output.

(2) K0, K1 . . . . . Key scan output/segment output selection data

These control data bits switch the functions of the KS1/S24 and KS2/S25 output pins between key scan output and segment output.

| Control data |    | Output pin state |         | Maximum number of<br>input keys |
|--------------|----|------------------|---------|---------------------------------|
| K0           | K1 | KS1/S24          | KS2/S25 |                                 |
| 0            | 0  | KS1              | KS2     | 30                              |
| 0            | 1  | S24              | KS2     | 25                              |
| 1            | X  | S24              | S25     | 20                              |

Note: KSn (n=1 or 2): Key scan output  
Sn (n=24 or 25): Segment output

X : don't care

(3) P0 to P2 . . . . . Segment output port/general-purpose output port selection data

These control data bits switch the functions of the S1/P1 to S4/P4 output pins between the segment output port and the general-purpose output port.

| Control data |    |    | Output pin state |       |       |       |
|--------------|----|----|------------------|-------|-------|-------|
| P0           | P1 | P2 | S1/P1            | S2/P2 | S3/P3 | S4/P4 |
| 0            | 0  | 0  | S1               | S2    | S3    | S4    |
| 0            | 0  | 1  | P1               | S2    | S3    | S4    |
| 0            | 1  | 0  | P1               | P2    | S3    | S4    |
| 0            | 1  | 1  | P1               | P2    | P3    | S4    |
| 1            | 0  | 0  | P1               | P2    | P3    | P4    |

Note: Sn (n=1 to 4): Segment output port  
Pn (n=1 to 4): General-purpose output port

The table below lists the correspondence between the display data and the output pins when these pins are selected to be general-purpose output ports.

| Output pin | Corresponding display data |
|------------|----------------------------|
| S1/P1      | D1                         |
| S2/P2      | D4                         |
| S3/P3      | D7                         |
| S4/P4      | D10                        |

For example, if the S4/P4 output pin is selected to be a general-purpose output port, the S4/P4 output pin will output a high level (V<sub>LCD</sub>) when the display data D10 is 1, and will output a low level (V<sub>SS</sub>) when D10 is 0.

(4) SC . . . . . Segment on/off control data

This control data bit controls the on/off state of the segments.

| SC | Display state |
|----|---------------|
| 0  | on            |
| 1  | off           |

However, note that when the segments are turned off by setting SC to 1, the segments are turned off by outputting segment off waveforms from the segment output pins.

(5) DR . . . . . 1/2 bias or 1/3 bias drive selection data

This control data bit switches between LCD 1/2 bias or 1/3 bias drive.

| DR | Drive scheme   |
|----|----------------|
| 0  | 1/3 bias drive |
| 1  | 1/2 bias drive |

## LC75863W

### Display Data and Output Pin Correspondence

| Output pin | COM1 | COM2 | COM3 |
|------------|------|------|------|
| S1/P1      | D1   | D2   | D3   |
| S2/P2      | D4   | D5   | D6   |
| S3/P3      | D7   | D8   | D9   |
| S4/P4      | D10  | D11  | D12  |
| S5         | D13  | D14  | D15  |
| S6         | D16  | D17  | D18  |
| S7         | D19  | D20  | D21  |
| S8         | D22  | D23  | D24  |
| S9         | D25  | D26  | D27  |
| S10        | D28  | D29  | D30  |
| S11        | D31  | D32  | D33  |
| S12        | D34  | D35  | D36  |
| S13        | D37  | D38  | D39  |

| Output pin | COM1 | COM2 | COM3 |
|------------|------|------|------|
| S14        | D40  | D41  | D42  |
| S15        | D43  | D44  | D45  |
| S16        | D46  | D47  | D48  |
| S17        | D49  | D50  | D51  |
| S18        | D52  | D53  | D54  |
| S19        | D55  | D56  | D57  |
| S20        | D58  | D59  | D60  |
| S21        | D61  | D62  | D63  |
| S22        | D64  | D65  | D66  |
| S23        | D67  | D68  | D69  |
| KS1/S24    | D70  | D71  | D72  |
| KS2/S25    | D73  | D74  | D75  |

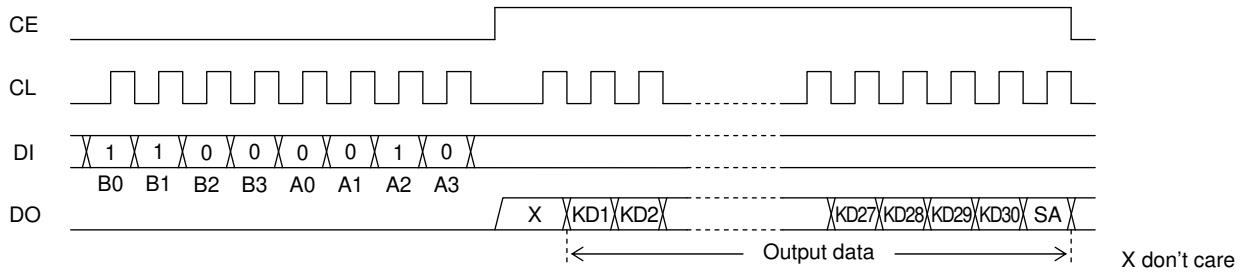
Note: This is for the case where the output pins S1/P1 to S4/P4, KS1/S24 and KS2/S25 are selected for use as segment outputs.

For example, the table below lists the segment output states for the S11 output pin.

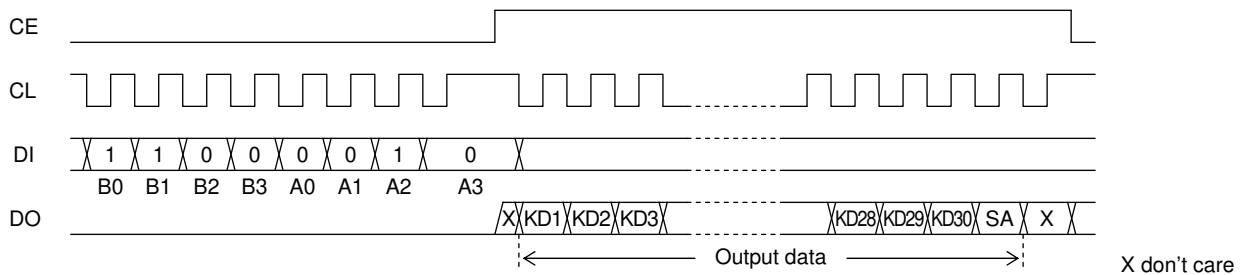
| Display data |     |     | Output pin state (S11)                            |
|--------------|-----|-----|---|
| D31          | D32 | D33 |   |
| 0            | 0   | 0   | The LCD segments for COM1, COM2 and COM3 are off. |
| 0            | 0   | 1   | The LCD segment for COM3 is on.                   |
| 0            | 1   | 0   | The LCD segment for COM2 is on.                   |
| 0            | 1   | 1   | The LCD segments for COM2 and COM3 are on.        |
| 1            | 0   | 0   | The LCD segment for COM1 is on.                   |
| 1            | 0   | 1   | The LCD segments for COM1 and COM3 are on.        |
| 1            | 1   | 0   | The LCD segments for COM1 and COM2 are on.        |
| 1            | 1   | 1   | The LCD segments for COM1, COM2 and COM3 are on.  |

## Serial Data Output

(1) When CL is stopped at the low level



(2) When CL is stopped at the high level



- CCB address ..... 43H
- KD1 to KD30 ..... Key data
- SA ..... Sleep acknowledge data

Note: If a key data read operation is executed when DO is high, the read key data (KD1 to KD30) and sleep acknowledge data (SA) will be invalid.

## Output Data

(1) KD1 to KD30 ..... Key data

When a key matrix of up to 30 keys is formed from the KS1 to KS6 output pins and the KI1 to KI5 input pins and one of those keys is pressed, the key output data corresponding to that key will be set to 1. The table shows the relationship between those pins and the key data bits.

|         | KI1  | KI2  | KI3  | KI4  | KI5  |
|---------|------|------|------|------|------|
| KS1/S24 | KD1  | KD2  | KD3  | KD4  | KD5  |
| KS2/S25 | KD6  | KD7  | KD8  | KD9  | KD10 |
| KS3     | KD11 | KD12 | KD13 | KD14 | KD15 |
| KS4     | KD16 | KD17 | KD18 | KD19 | KD20 |
| KS5     | KD21 | KD22 | KD23 | KD24 | KD25 |
| KS6     | KD26 | KD27 | KD28 | KD29 | KD30 |

When the KS1/S24 and KS2/S25 output pins are selected to be segment outputs by control data bits K0 and K1 and a key matrix of up to 20 keys is formed using the KS3 to KS6 output pins and the KI1 to KI5 input pins, the KD1 to KD10 key data bits will be set to 0.

(2) SA ..... Sleep acknowledge data

This output data bit is set to the state when the key was pressed. Also, while DO will be low in this case, if serial data is input and the mode is set (to normal or sleep mode) during this period, that mode will be set. SA will be 1 in sleep mode and 0 in normal mode.

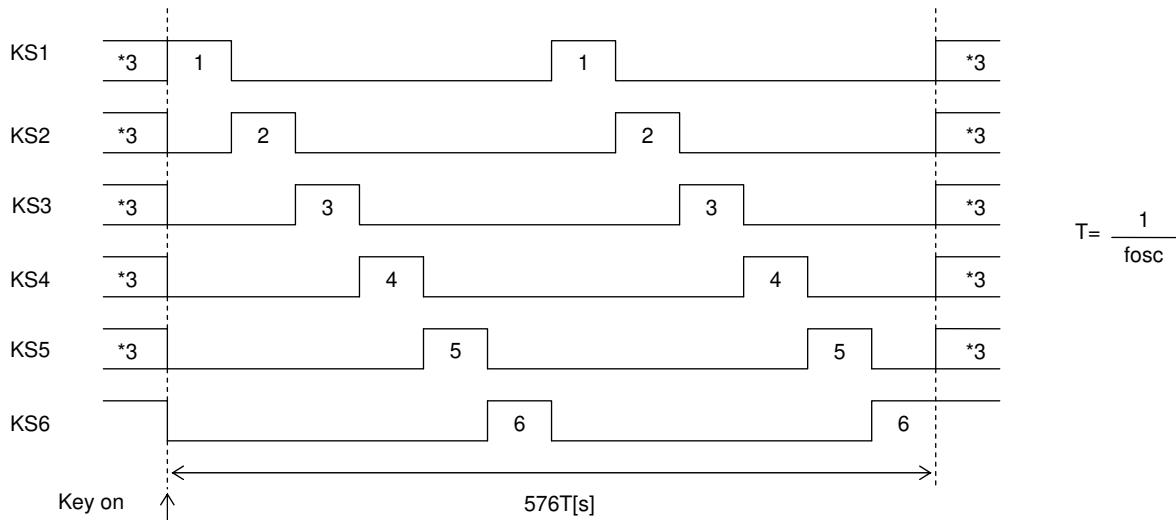
## Sleep Mode Functions

Sleep mode is set up by setting S0 or S1 in the control data to 1. The segment outputs will all go low and the common outputs will also go low, and the oscillator on the OSC pin will stop (it will be started by a key press). This reduces power dissipation. This mode is cleared by sending control data with both S0 and S1 set to 0. However, note that the S1/P1 to S4/P4 outputs can be used as general-purpose output ports according to the state of the P0 to P2 control data bits, even in sleep mode. (See the control data description for details.)

## Key Scan Operation Functions

### (1) Key scan timing

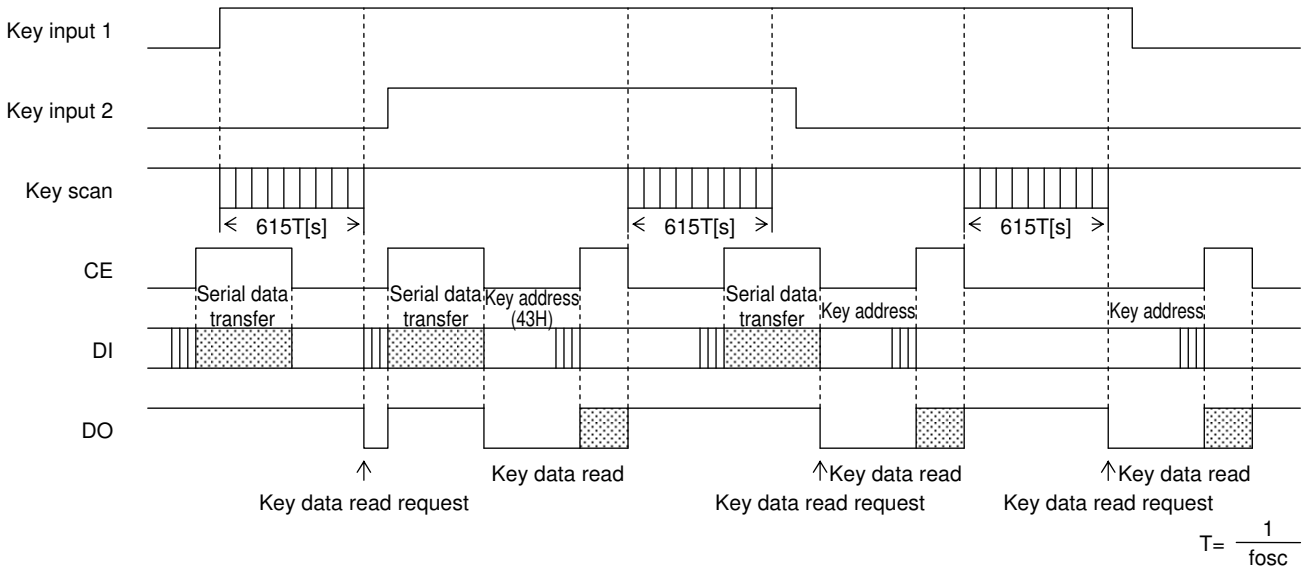
The key scan period is 288T(s). To reliably determine the on/off state of the keys, the LC75863W scans the keys twice and determines that a key has been pressed when the key data agrees. It outputs a key data read request (a low level on DO) 615T(s) after starting a key scan. If the key data does not agree and a key is pressed at that point, it scans the keys again. Thus the LC75863W cannot detect a key press shorter than 615T(s).



Note: \*3. In sleep mode the high/low state of these pins is determined by the S0 and S1 bits in the control data. Key scan output signals are not output from pins that are set low.

### (2) In normal mode

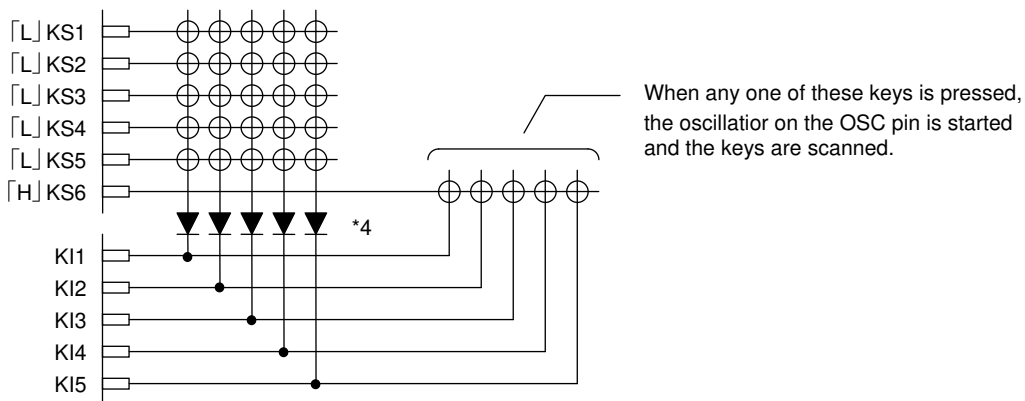
- 1) The pins KS1 to KS6 are set high.
- 2) When a key is pressed a key scan is started and the keys are scanned until all keys are released. Multiple key presses are recognized by determining whether multiple key data bits are set.
- 3) If a key is pressed for longer than 615T(s) (Where  $T = \frac{1}{f_{osc}}$ ) the LC75863W outputs a key data read request (a low level on DO) to the controller. The controller acknowledges this request and reads the key data. However, if CE is high during a serial data transfer, DO will be set high.
- 4) After the controller reads the key data, the key data read request is cleared (DO is set high) and the LC75863W performs another key scan. Also note that DO, being an open-drain output, requires a pull-up resistor (between 1 and 10kΩ).



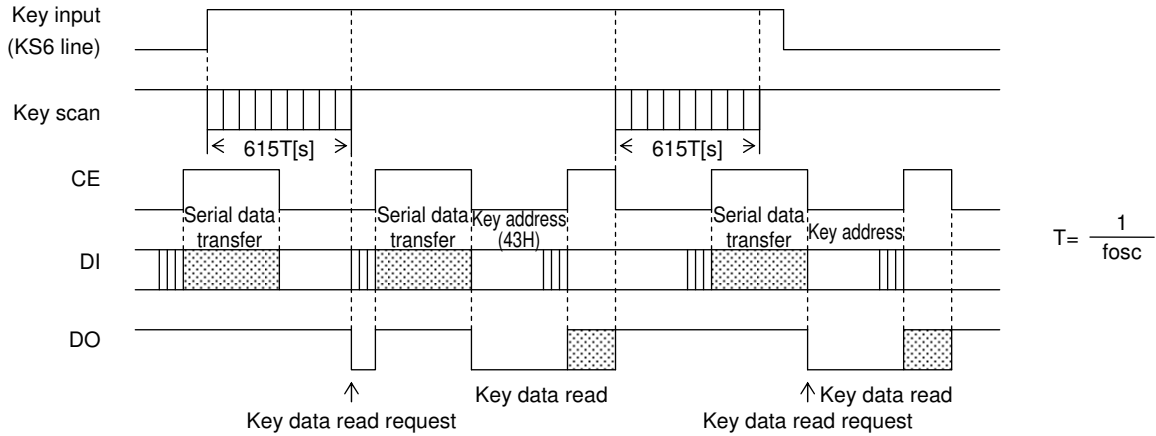
(3) In sleep mode

- 1) The pins KS1 to KS6 are set to high or low by the S0 and S1 bits in the control data. (See the control data description for details.)
- 2) If a key on one of the lines corresponding to a KS1 to KS6 pin which is set high is pressed, the oscillator on the OSC pin is started and a key scan is performed. Keys are scanned until all keys are released. Multiple key presses are recognized by determining whether multiple key data bits are set.
- 3) If a key is pressed for longer than 615T(s) (Where  $T = \frac{1}{f_{osc}}$ ) the LC75863W outputs a key data read request (a low level on DO) to the controller. The controller acknowledges this request and reads the key data. However, if CE is high during a serial data transfer, DO will be set high.
- 4) After the controller reads the key data, the key data read request is cleared (DO is set high) and the LC75863W performs another key scan. However, this does not clear sleep mode. Also note that DO, being an open-drain output, requires a pull-up resistor (between 1 and 10kΩ).
- 5) Sleep mode key scan example

Example: S0 = 0, S1 = 1 (sleep with only KS6 high)



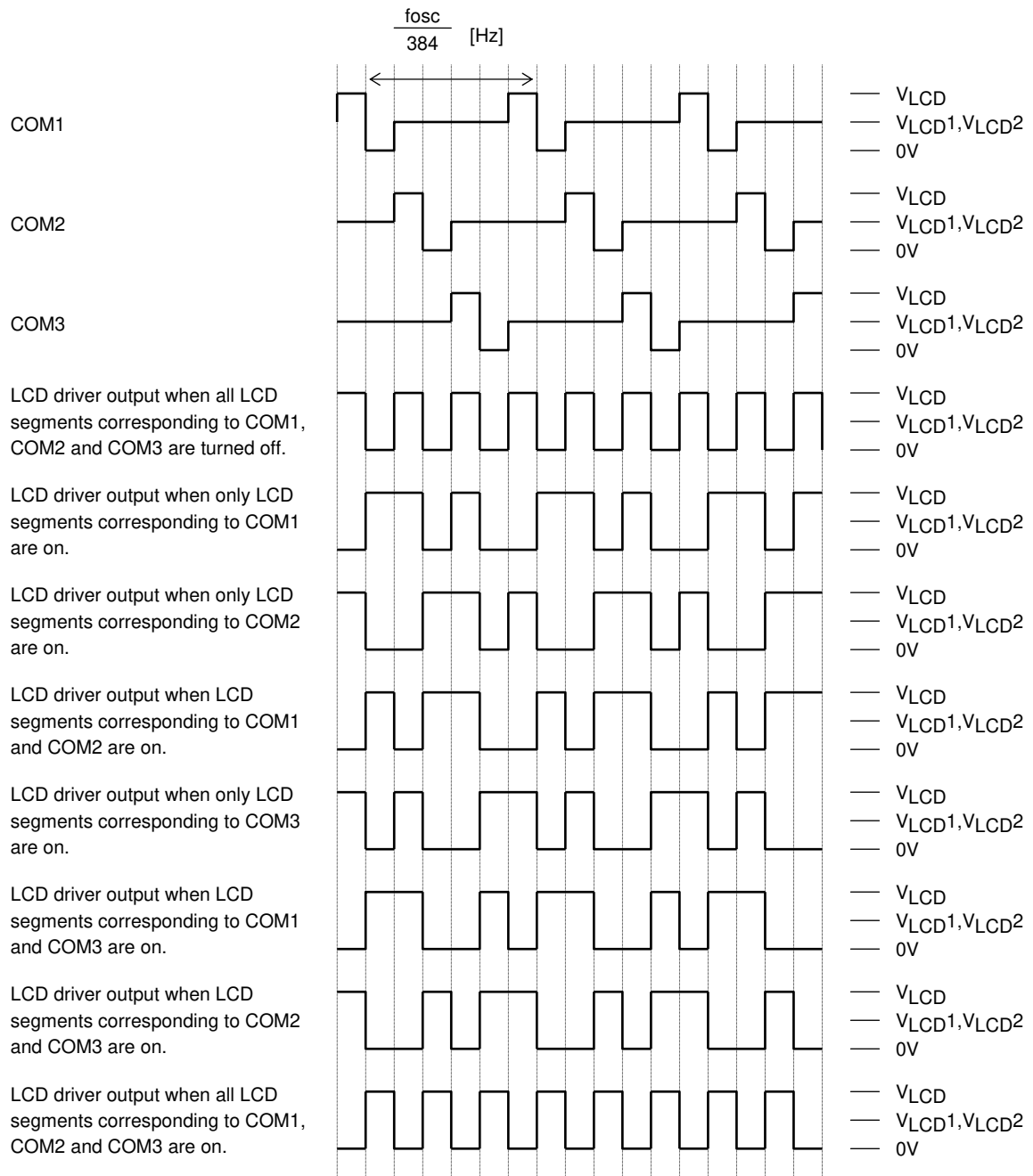
Note: \*4. These diodes are required to reliably recognize multiple key presses on the KS6 line when sleep mode state with only KS6 high, as in the above example. That is, these diodes prevent incorrect operations due to sneak currents in the KS6 key scan output signal when keys on the KS1 to KS5 lines are pressed at the same time.



### Multiple Key Presses

Although the LC75863W is capable of key scanning without inserting diodes for dual key presses, triple key presses on the KI1 to KI5 input pin lines, or multiple key presses on the KS1 to KS6 output pin lines, multiple presses other than these cases may result in keys that were not pressed recognized as having been pressed. Therefore, a diode must be inserted in series with each key. Applications that do not recognize multiple key presses of three or more keys should check the key data for three or more 1 bits and ignore such data.

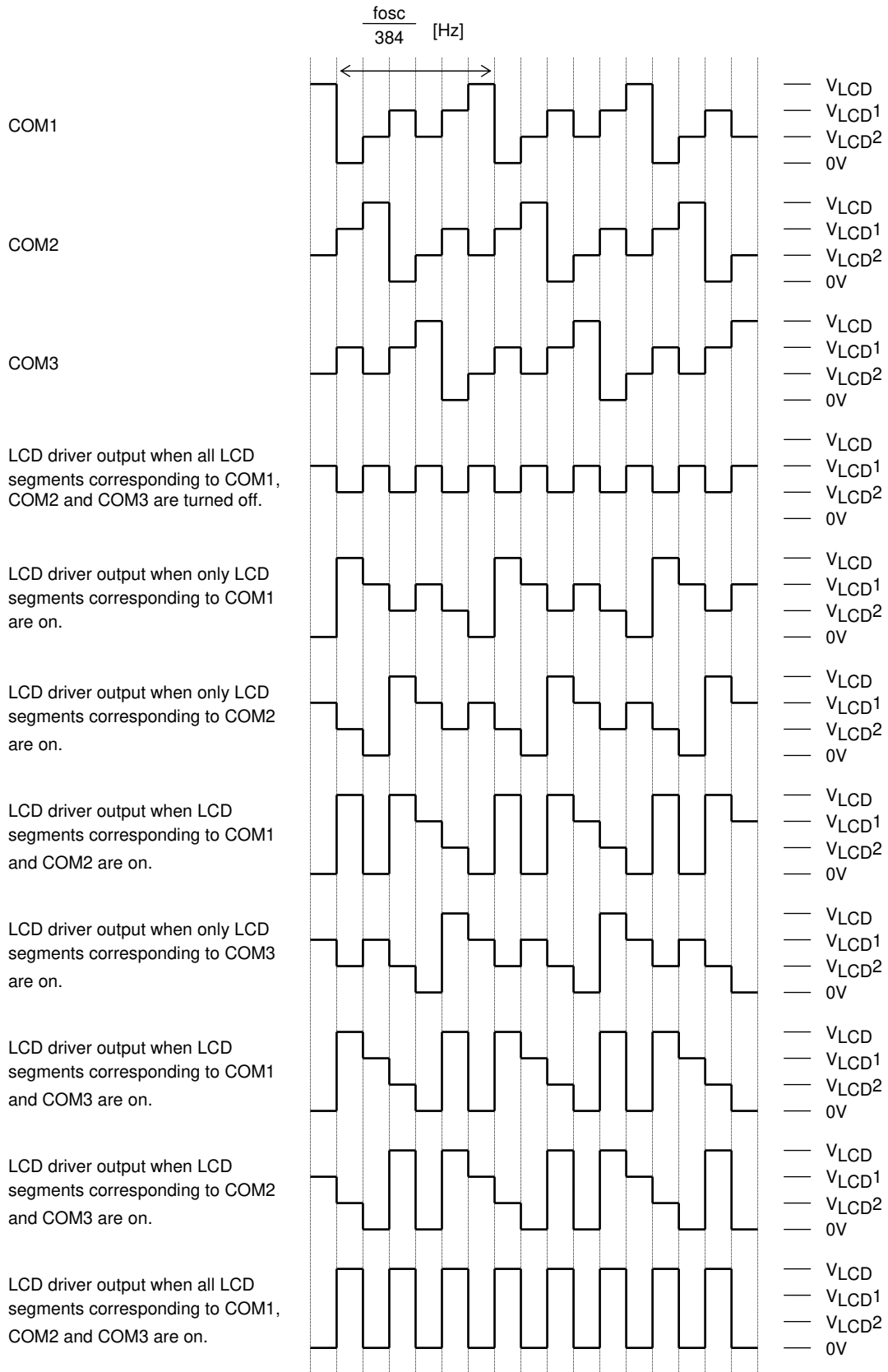
1/3 Duty, 1/2 Bias Drive Technique



1/3 Duty, 1/2 Bias Waveforms



1/3 Duty, 1/3 Bias Drive Technique



1/3 Duty, 1/3 Bias Waveforms

**Voltage Detection Type Reset Circuit (VDET)**

This circuit generates an output signal and resets the system when logic block power is first applied and when the voltage drops, i.e., when the logic block power supply voltage is less than or equal to the power down detection voltage  $V_{DET}$ , which is 3.0V, typical. To assure that this function operates reliably, a capacitor must be added to the logic block power supply line so that the logic block power supply voltage  $V_{DD}$  rise time when the logic block power is first applied and the logic block power supply voltage  $V_{DD}$  fall time when the voltage drops are both at least 1 ms. (See Figure 3.)

**Power Supply Sequence**

The following sequences must be observed when power is turned on and off. (See Figure 3.)

- Power on: Logic block power supply ( $V_{DD}$ ) on → LCD driver block power supply ( $V_{LCD}$ ) on
- Power off: LCD driver block power supply ( $V_{LCD}$ ) off → Logic block power supply ( $V_{DD}$ ) off

However, if the logic and LCD driver block use a shared power supply, then the power supplies can be turned on and off at the same time.

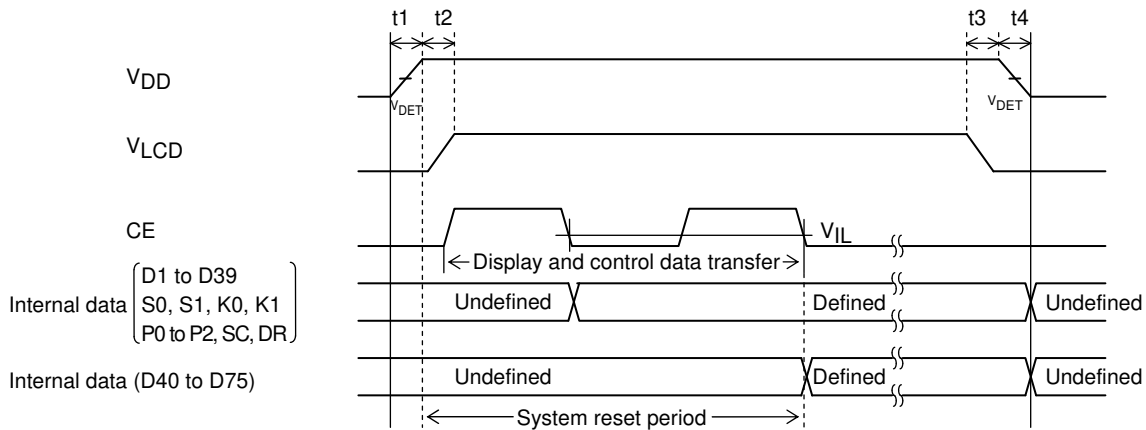
**System Reset**

The LC75863W supports the reset methods described below. When a system reset is applied, display is turned off, key scanning is stopped, and all the key data is reset to low. When the reset is cleared, display is turned on and key scanning become possible.

(1) Reset methods

Reset at power-on and power-down

If at least 1 ms is assured as the logic block supply voltage  $V_{DD}$  rise time when logic block power is applied, a system reset will be applied by the  $V_{DET}$  output signal when the logic block supply voltage is brought up. If at least 1 ms is assured as the logic block supply voltage  $V_{DD}$  fall time when logic block power drops, a system reset will be applied in the same manner by the  $V_{DET}$  output signal when the supply voltage is lowered. Note that the reset is cleared at the point when all the serial data (the display data D1 to D75 and the control data) has been transferred, i.e., on the fall of the CE signal on the transfer of the last direction data, after all the direction data has been transferred (see Figure 3).



Note:  $t1 \geq 1$  [ms] (Logic block power supply voltage  $V_{DD}$  rise time)  
 $t2 \geq 0$   
 $t3 \geq 0$   
 $t4 \geq 1$  [ms] (Logic block power supply voltage  $V_{DD}$  fall time)

Figure 3

## LC75863W

### (2) LC75863W internal block states during the reset period

#### 1) CLOCK GENERATOR

Reset is applied and the base clock is stopped. However, the OSC pin state (normal or sleep mode) is determined after the S0 and S1 control data bits are transferred.

#### 2) COMMON DRIVER, SEGMENT DRIVER & LATCH

Reset is applied and the display is turned off. However, display data can be input to the latch circuit in this state.

#### 3) KEY SCAN

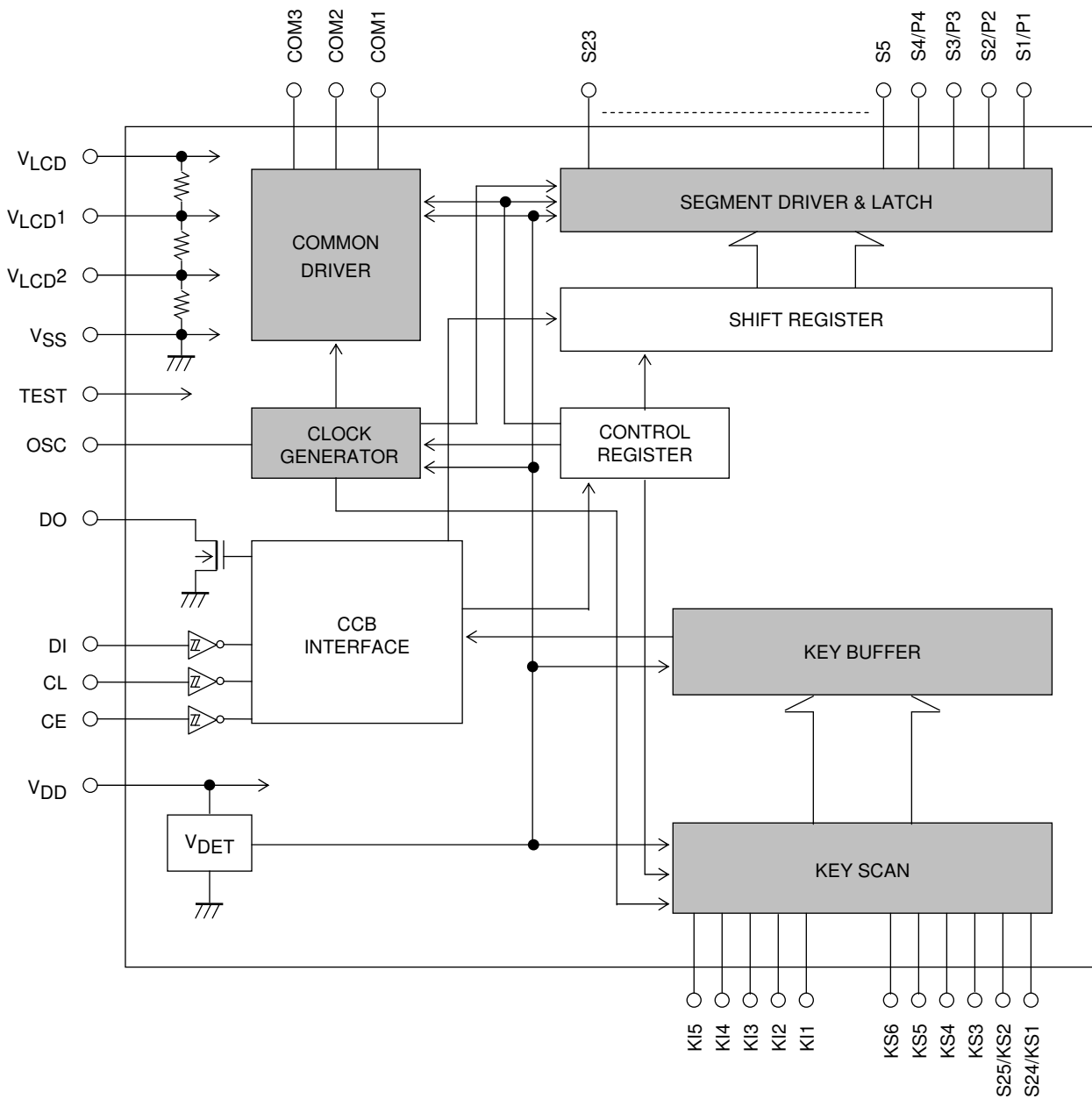
Reset is applied, the circuits is set to the initial state, and at the same time the key scan operation is disabled.

#### 4) KEY BUFFER

Reset is applied and all the key data is set to low.

#### 5) CCB INTERFACE, CONTROL REGISTER, SHIFT REGISTER

Since serial data transfer is possible, these circuits are not reset.



(3) Output pin states during the reset period

| Output pin       | State during reset |
|------------------|--------------------|
| S1/P1 to S4/P4   | L *5               |
| S5 to S23        | L                  |
| COM1 to COM3     | L                  |
| KS1/S24, KS2/S25 | L *5               |
| KS3 to KS5       | X *6               |
| KS6              | H                  |
| DO               | H *7               |

X : don't care

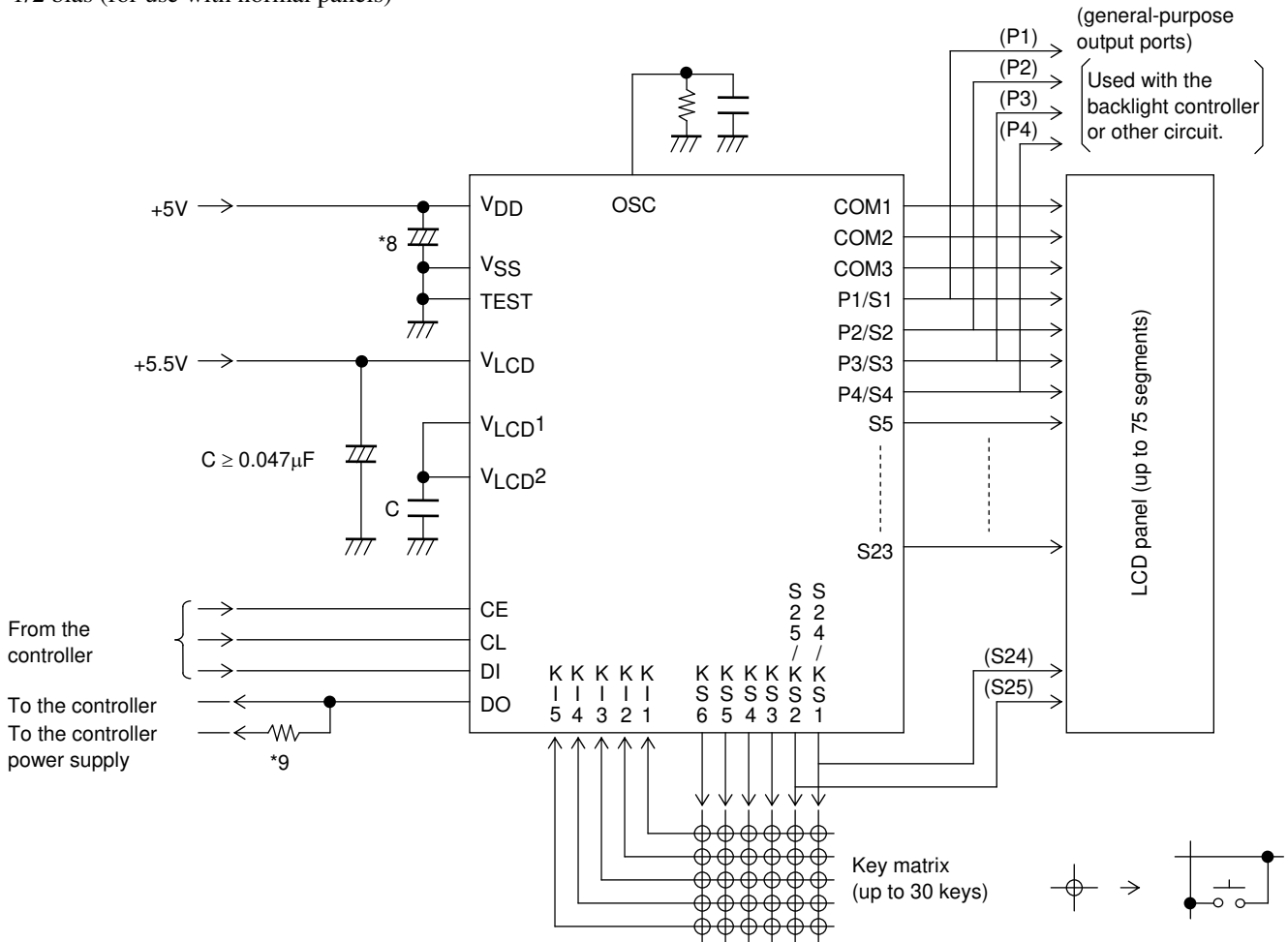
Note: \*5. These output pins are forcibly set to the segment output function and held low.

\*6. When power is first applied, these output pins are undefined until the S0 and S1 control data bits have been transferred.

\*7. Since this output pin is an open-drain output, a pull-up resistor of between 1 and 10kΩ is required. This pin remains high during the reset period even if a key data read operation is performed.

Sample Application Circuit 1

1/2 bias (for use with normal panels)

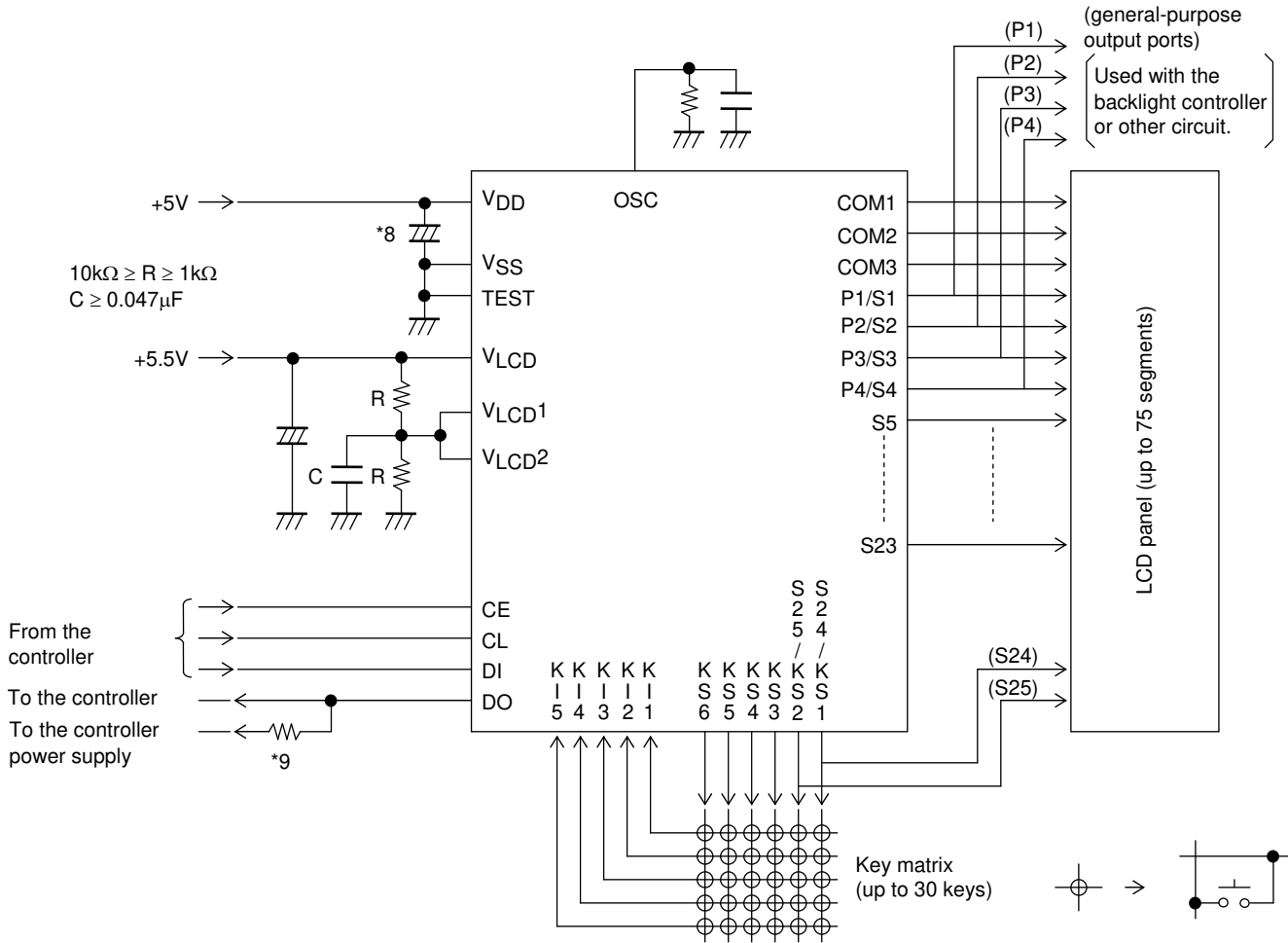


Note: \*8. Add a capacitor to the logic block power supply line so that the logic block power supply voltage V<sub>DD</sub> rise time when power is applied and the logic block power supply voltage V<sub>DD</sub> fall time when power drops are both at least 1 ms, as the LC75863W is reset by the V<sub>DET</sub>.

\*9. The DO pin, being an open-drain output, requires a pull-up resistor. Select a resistance (between 1 to 10kΩ) appropriate for the capacitance of the external wiring so that signal waveforms are not degraded.

Sample Application Circuit 2

1/2 bias (for use with large panels)

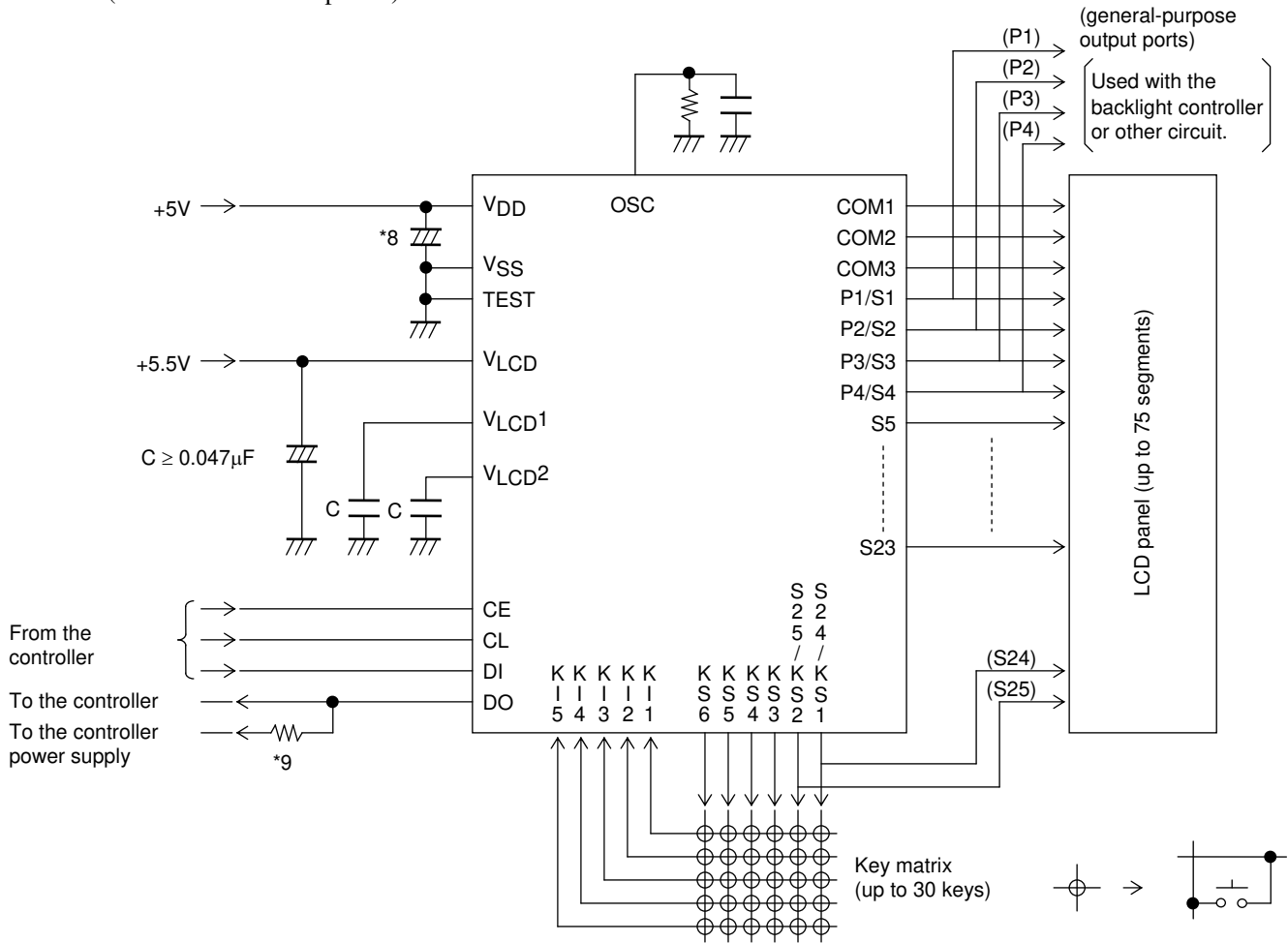


Note: \*8. Add a capacitor to the logic block power supply line so that the logic block power supply voltage V<sub>DD</sub> rise time when power is applied and the logic block power supply voltage V<sub>DD</sub> fall time when power drops are both at least 1 ms, as the LC75863W is reset by the V<sub>DET</sub>.

\*9. The DO pin, being an open-drain output, requires a pull-up resistor. Select a resistance (between 1 to 10kΩ) appropriate for the capacitance of the external wiring so that signal waveforms are not degraded.

Sample Application Circuit 3

1/3 bias (for use with normal panels)

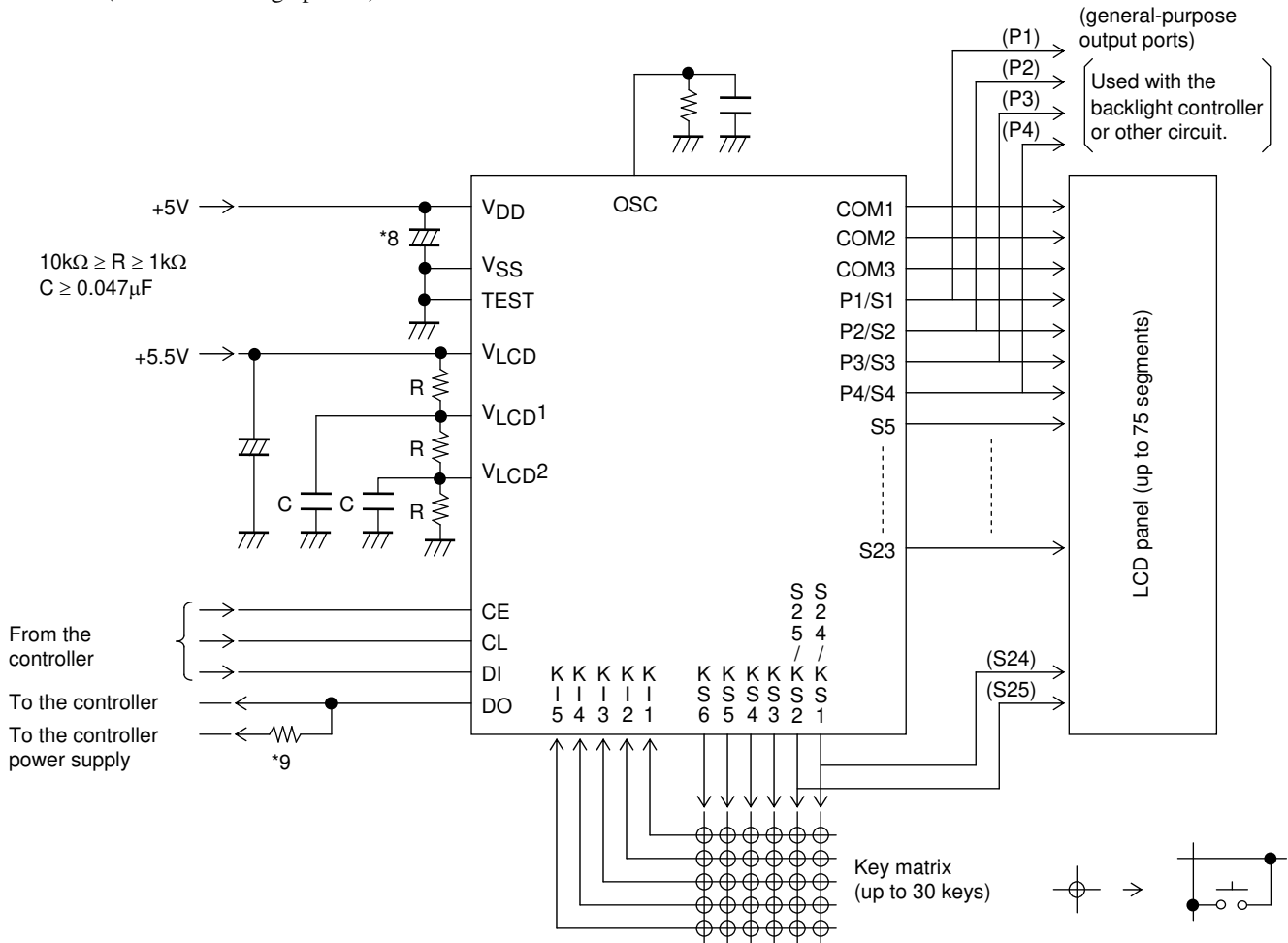


Note: \*8. Add a capacitor to the logic block power supply line so that the logic block power supply voltage V<sub>DD</sub> rise time when power is applied and the logic block power supply voltage V<sub>DD</sub> fall time when power drops are both at least 1 ms, as the LC75863W is reset by the V<sub>DET</sub>.

\*9. The DO pin, being an open-drain output, requires a pull-up resistor. Select a resistance (between 1 to 10kΩ) appropriate for the capacitance of the external wiring so that signal waveforms are not degraded.

Sample Application Circuit 4

1/3 bias (for use with large panels)



Note: \*8. Add a capacitor to the logic block power supply line so that the logic block power supply voltage V<sub>DD</sub> rise time when power is applied and the logic block power supply voltage V<sub>DD</sub> fall time when power drops are both at least 1 ms, as the LC75863W is reset by the V<sub>DET</sub>.

\*9. The DO pin, being an open-drain output, requires a pull-up resistor. Select a resistance (between 1 to 10kΩ) appropriate for the capacitance of the external wiring so that signal waveforms are not degraded.

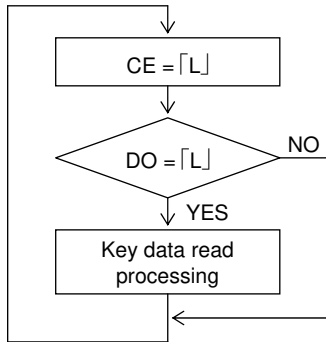
Notes on transferring display data from the controller

The display data (D1 to 75) is transferred to the LC75863W in two operations. All of the display data should be transferred within 30ms to maintain the quality of the displayed image.

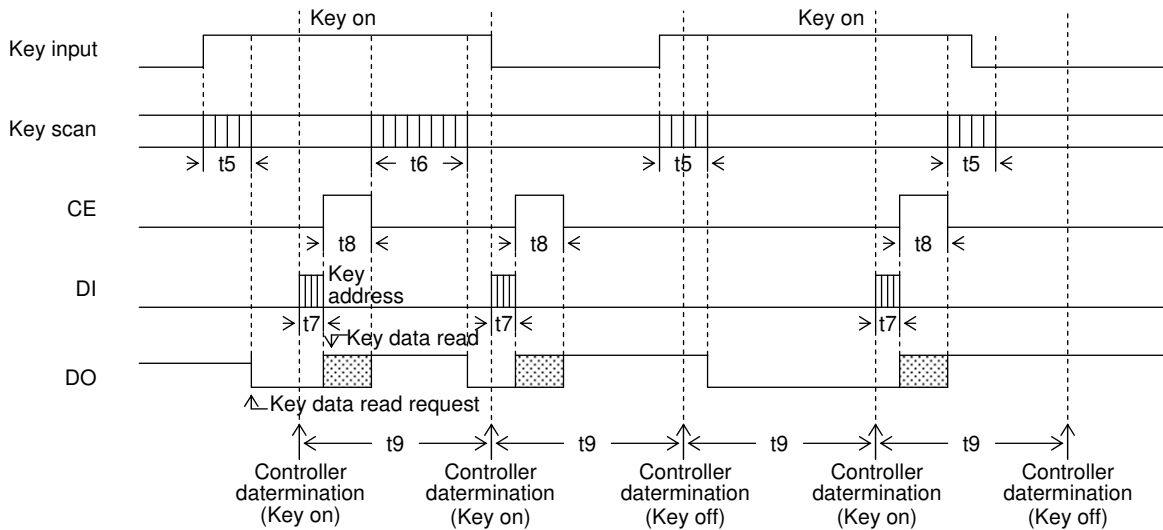
Notes on the Controller Key Data Read Techniques

(1) Timer based key data acquisition

1) Flowchart



2) Timing chart



t5 .... Key scan execution time when the key data agreed for two key scans. (615T(s))

t6 .... Key scan execution time when the key data did not agree for two key scans and the key scan was executed again. (1230T(s))

t7 .... Key address (43H) transfer time

$$T = \frac{1}{f_{osc}}$$

t8 .... Key data read time

3) Explanation

In this technique, the controller uses a timer to determine key on/off states and read the key data. The controller must check the DO state when CE is low every t9 period without fail. If DO is low, the controller recognizes that a key has been pressed and executes the key data read operation.

The period t9 in this technique must satisfy the following condition.

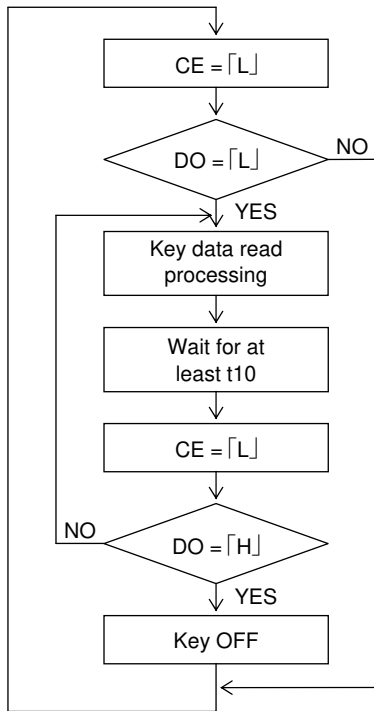
$$t9 > t6 + t7 + t8$$

If a key data read operation is executed when DO is high, the read key data (KD1 to KD30) and sleep acknowledge data (SA) will be invalid.

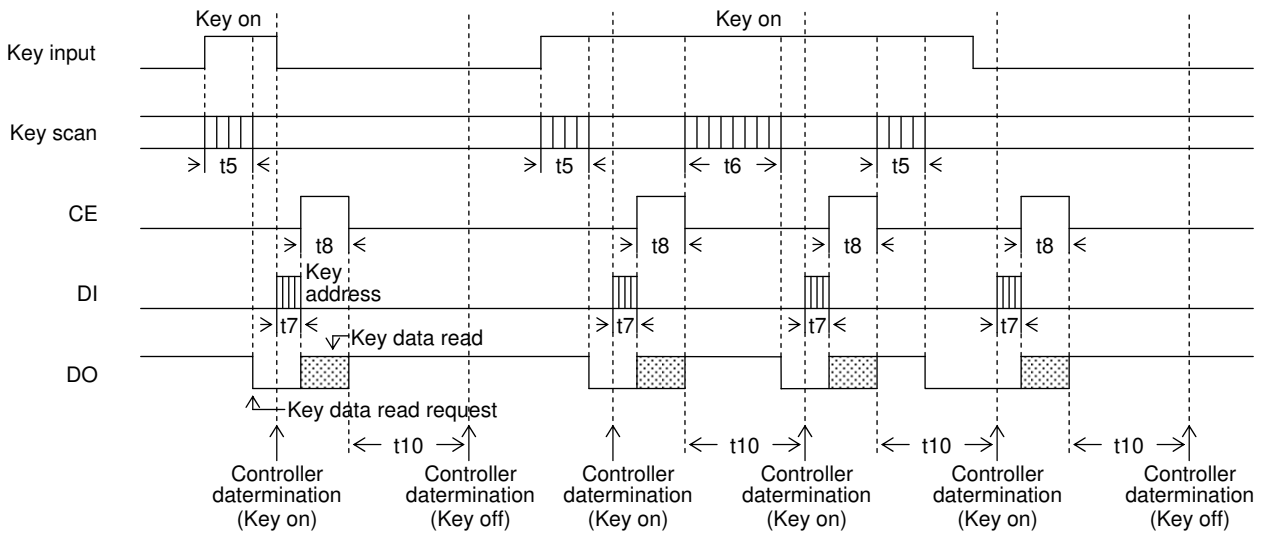


(2) Interrupt based key data acquisition

1) Flowchart



2) Timing chart



t5 ..... Key scan execution time when the key data agreed for two key scans. (615T(s))

t6 ..... Key scan execution time when the key data did not agree for two key scans and the key scan was executed again. (1230T(s))

t7 ..... Key address (43H) transfer time

t8 ..... Key data read time

$$T = \frac{1}{f_{osc}}$$

3) Explanation

In this technique, the controller uses interrupts to determine key on/off states and read the key data. The controller must check the DO state when CE is low. If DO is low, the controller recognizes that a key has been pressed and executes the key data read operation. After that the next key on/off determination is performed after the time t10 has elapsed by checking the DO state when CE is low and reading the key data. The period t10 in this technique must satisfy the following condition.

$$t10 > t6$$

If a key data read operation is executed when DO is high, the read key data (KD1 to KD30) and sleep acknowledge data (SA) will be invalid.

**ORDERING INFORMATION**

| Device      | Package                  | Shipping (Qty / Packing) |
|-------------|--------------------------|--------------------------|
| LC75863W-E  | SQFP48(7X7)<br>(Pb-Free) | 50 / Tray Foam           |
| LC75863WS-E | SQFP48(7X7)<br>(Pb-Free) | 50 / Tray Foam           |

ON Semiconductor and the ON logo are registered trademarks of Semiconductor Components Industries, LLC (SCILLC). SCILLC owns the rights to a number of patents, trademarks, copyrights, trade secrets, and other intellectual property. A listing of SCILLC's product/patent coverage may be accessed at [www.onsemi.com/site/pdf/Patent-Marking.pdf](http://www.onsemi.com/site/pdf/Patent-Marking.pdf). SCILLC reserves the right to make changes without further notice to any products herein. SCILLC makes no warranty, representation or guarantee regarding the suitability of its products for any particular purpose, nor does SCILLC assume any liability arising out of the application or use of any product or circuit, and specifically disclaims any and all liability, including without limitation special, consequential or incidental damages. "Typical" parameters which may be provided in SCILLC data sheets and/or specifications can and do vary in different applications and actual performance may vary over time. All operating parameters, including "Typicals" must be validated for each customer application by customer's technical experts. SCILLC does not convey any license under its patent rights nor the rights of others. SCILLC products are not designed, intended, or authorized for use as components in systems intended for surgical implant into the body, or other applications intended to support or sustain life, or for any other application in which the failure of the SCILLC product could create a situation where personal injury or death may occur. Should Buyer purchase or use SCILLC products for any such unintended or unauthorized application, Buyer shall indemnify and hold SCILLC and its officers, employees, subsidiaries, affiliates, and distributors harmless against all claims, costs, damages, and expenses, and reasonable attorney fees arising out of, directly or indirectly, any claim of personal injury or death associated with such unintended or unauthorized use, even if such claim alleges that SCILLC was negligent regarding the design or manufacture of the part. SCILLC is an Equal Opportunity/Affirmative Action Employer. This literature is subject to all applicable copyright laws and is not for resale in any manner.