



Chipsmall Limited consists of a professional team with an average of over 10 year of expertise in the distribution of electronic components. Based in Hongkong, we have already established firm and mutual-benefit business relationships with customers from,Europe,America and south Asia,supplying obsolete and hard-to-find components to meet their specific needs.

With the principle of “Quality Parts,Customers Priority,Honest Operation,and Considerate Service”,our business mainly focus on the distribution of electronic components. Line cards we deal with include Microchip,ALPS,ROHM,Xilinx,Pulse,ON,Everlight and Freescale. Main products comprise IC,Modules,Potentiometer,IC Socket,Relay,Connector.Our parts cover such applications as commercial,industrial, and automotives areas.

We are looking forward to setting up business relationship with you and hope to provide you with the best service and solution. Let us make a better world for our industry!



Contact us

Tel: +86-755-8981 8866 Fax: +86-755-8427 6832

Email & Skype: info@chipsmall.com Web: www.chipsmall.com

Address: A1208, Overseas Decoration Building, #122 Zhenhua RD., Futian, Shenzhen, China



LC75878W

1/8 to 1/10-Duty General-Purpose LCD Driver



ON Semiconductor®

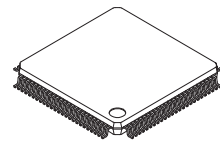
www.onsemi.com

Overview

The LC75878W is 1/8 to 1/10 duty general-purpose LCD display driver used for character and graphics display. This product operates under the control of a microcontroller and can directly drive an LCD with up to 730 segments. It can also control up to 4 general-purpose output ports.

Features

- 1/8duty-1/4bias, 1/9duty-1/4bias, and 1/10duty-1/4bias drive schemes can be controlled from serial data.
 - 1/8duty-1/4bias: up to 600 segments
 - 1/9duty-1/4bias: up to 666 segments
 - 1/10duty-1/4bias: up to 730 segments
- Serial data input supports CCB* format communication with the system controller.
- Serial data control of the power-saving mode based backup function and all the segments forced off function.
- Direct display of display data without the use of a decoder provides high generality.
- Built-in display contrast adjustment circuit.
- Up to 4 general-purpose output ports are included.
- Independent LCD driver block power supply V_{LCD} .
- The INH pin is provided. This pin turns off the display and forces the general-purpose output ports to the low level.
- RC oscillator circuit



SPQFP100 14x14 / SQFP100

* Computer Control Bus (CCB) is an ON Semiconductor's original bus format and the bus addresses are controlled by ON Semiconductor.

ORDERING INFORMATION

See detailed ordering and shipping information on page 36 of this data sheet.

LC75878W

Specifications

Absolute Maximum Ratings at Ta = 25°C, VSS = 0 V

| Parameter | Symbol | Conditions | Ratings | Unit |
|-----------------------------|----------|-------------------------------------|------------------|---------------|
| Maximum supply voltage | VDD max | VDD | -0.3 to +7.0 | V |
| | VLCD max | VLCD | -0.3 to +12.0 | |
| Input voltage | VIN1 | CE, CL, DI, $\overline{\text{INH}}$ | -0.3 to +7.0 | V |
| | VIN2 | OSC | -0.3 to VDD+0.3 | |
| | VIN3 | VLCD1, VLCD2, VLCD3, VLCD4 | -0.3 to VLCD+0.3 | |
| Output voltage | VOU1 | OSC, P1 to P4 | -0.3 to VDD+0.3 | V |
| | VOU2 | VLCD0, S1 to S75, COM1 to COM10 | -0.3 to VLCD+0.3 | |
| Output current | IOU1 | S1 to S75 | 300 | μA |
| | IOU2 | COM1 to COM10 | 3 | mA |
| | IOU3 | P1 to P4 | 5 | |
| Allowable power dissipation | Pd max | Ta = 85°C | 200 | mW |
| Operating temperature | Topr | | -40 to +85 | °C |
| Storage temperature | Tstg | | -55 to +125 | °C |

Stresses exceeding those listed in the Maximum Ratings table may damage the device. If any of these limits are exceeded, device functionality should not be assumed, damage may occur and reliability may be affected.

Allowable Operating Ranges at Ta = -40 to +85°C, VSS = 0 V

| Parameter | Symbol | Conditions | Ratings | | | unit |
|--|------------|---|--------------------|--|--------------------|---------------|
| | | | min | typ | max | |
| Supply voltage | VDD | VDD | 2.7 | | 6.0 | V |
| | VLCD | VLCD. When the display contrast adjustment circuit is used | 7.0 | | 11.0 | |
| | VLCD | VLCD. When the display contrast adjustment circuit is not used | 4.5 | | 11.0 | |
| Output voltage | VLCD0 | VLCD0 | VLCD4 +4.5 | | VLCD | V |
| Input voltage | VLCD1 | VLCD1 | | $\frac{3}{4}(\text{VLCD0} - \text{VLCD4})$ | VLCD0 | V |
| | VLCD2 | VLCD2 | | $\frac{2}{4}(\text{VLCD0} - \text{VLCD4})$ | VLCD0 | |
| | VLCD3 | VLCD3 | | $\frac{1}{4}(\text{VLCD0} - \text{VLCD4})$ | VLCD0 | |
| | VLCD4 | VLCD4 | 0 | | 1.5 | |
| Input high level voltage | VIH | CE, CL, DI, $\overline{\text{INH}}$ | $0.8V_{\text{DD}}$ | | 6.0 | V |
| Input low level voltage | VIL | CE, CL, DI, $\overline{\text{INH}}$ | 0 | | $0.2V_{\text{DD}}$ | V |
| Recommended external resistance | ROSC | OSC | | 43 | | k Ω |
| Recommended external capacitance | COSC | OSC | | 680 | | pF |
| Guaranteed oscillation range | fOSC | OSC | 25 | 50 | 100 | kHz |
| Data setup time | tds | CL, DI [Figure 2] | 160 | | | ns |
| Data hold time | tdh | CL, DI [Figure 2] | 160 | | | ns |
| CE wait time | tcp | CE, CL [Figure 2] | 160 | | | ns |
| CE setup time | tcs | CE, CL [Figure 2] | 160 | | | ns |
| CE hold time | tch | CE, CL [Figure 2] | 160 | | | ns |
| High level clock pulse width | t ϕ H | CL [Figure 2] | 160 | | | ns |
| Low level clock pulse width | t ϕ L | CL [Figure 2] | 160 | | | ns |
| $\overline{\text{INH}}$ switching time | tc | $\overline{\text{INH}}$, CE [Figure 3], [Figure 4], [Figure 5] | 10 | | | μs |

Functional operation above the stresses listed in the Recommended Operating Ranges is not implied. Extended exposure to stresses beyond the Recommended Operating Ranges limits may affect device reliability.

LC75878W

Electrical Characteristics for the Allowable Operating Ranges

| Parameter | Symbol | Conditions | Ratings | | | unit |
|-----------------------------------|-------------------|---|---|--------------------|---|------|
| | | | min | typ | max | |
| Hysteresis | V _H | CE, CL, DI, $\overline{\text{INH}}$ | | 0.1V _{DD} | | V |
| Input high level current | I _{IH} | CE, CL, DI, $\overline{\text{INH}}$: V _I = 6.0 V | | | 5.0 | μA |
| Input low level current | I _{IL} | CE, CL, DI, $\overline{\text{INH}}$: V _I = 0 V | -5.0 | | | μA |
| Output high level voltage | V _{OH1} | S1 to S75: I _O = -20 μA | V _{LCD0} -0.6 | | | V |
| | V _{OH2} | COM1 to COM10: I _O = -100 μA | V _{LCD0} -0.6 | | | |
| | V _{OH3} | P1 to P4: I _O = -1 mA | V _{DD} -1.0 | | | |
| Output low level voltage | V _{OL1} | S1 to S75: I _O = 20 μA | | | V _{LCD4} +0.6 | V |
| | V _{OL2} | COM1 to COM10: I _O = 100 μA | | | V _{LCD4} +0.6 | |
| | V _{OL3} | P1 to P4: I _O = 1 mA | | | 1.0 | |
| Output middle level voltage *1 | V _{MID1} | S1 to S75: I _O = ±20 μA | 2/4(V _{LCD0} -V _{LCD4}) -0.6 | | 2/4(V _{LCD0} -V _{LCD4}) +0.6 | V |
| | V _{MID2} | COM1 to COM10: I _O = ±100 μA | 3/4(V _{LCD0} -V _{LCD4}) -0.6 | | 3/4(V _{LCD0} -V _{LCD4}) +0.6 | |
| | V _{MID3} | COM1 to COM10: I _O = ±100 μA | 1/4(V _{LCD0} -V _{LCD4}) -0.6 | | 1/4(V _{LCD0} -V _{LCD4}) +0.6 | |
| Oscillator frequency | f _{OSC} | OSC: R _{OSC} = 43 kΩ, C _{OSC} = 680 pF | 40 | 50 | 60 | kHz |
| Current drain | I _{DD1} | V _{DD} : Power saving mode | | | 5 | μA |
| | I _{DD2} | V _{DD} : V _{DD} = 6.0 V, Outputs open f _{OSC} = 50 kHz | | 200 | 400 | |
| | I _{LCD1} | V _{LCD} : Power saving mode | | | 5 | |
| | I _{LCD2} | V _{LCD} : V _{LCD} = 11.0 V Outputs open f _{OSC} = 50 kHz When the display contrast adjustment circuit is used. | | 500 | 1000 | |
| | I _{LCD3} | V _{LCD} : V _{LCD} = 11.0 V Outputs open f _{OSC} = 50 kHz When the display contrast adjustment circuit is not used. | | 250 | 500 | |

Note: *1. Excluding the bias voltage generation divider resistor built into V_{LCD0}, V_{LCD1}, V_{LCD2}, V_{LCD3}, and V_{LCD4}. (See Figure 1.)

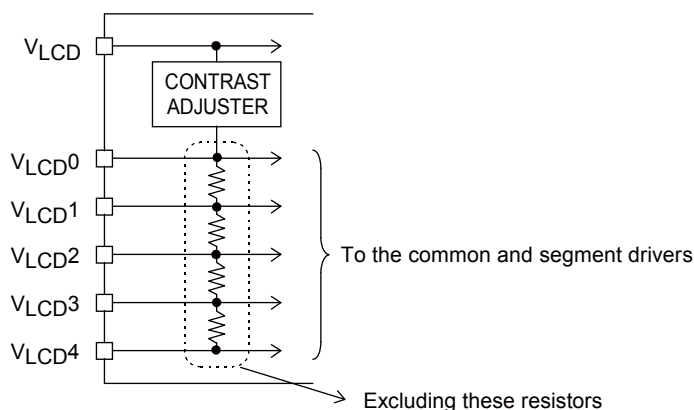
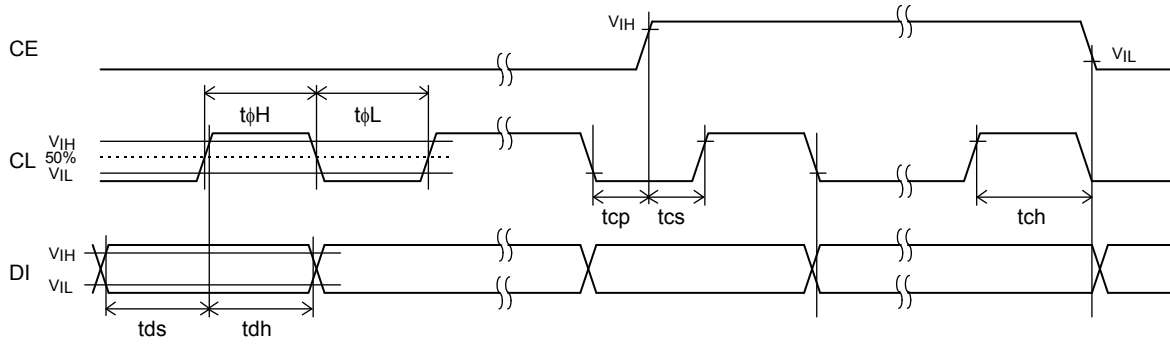


Figure 1

Product parametric performance is indicated in the Electrical Characteristics for the listed test conditions, unless otherwise noted. Product performance may not be indicated by the Electrical Characteristics if operated under different conditions.

LC75878W

1. When CL is stopped at the low level



2. When CL is stopped at the high level

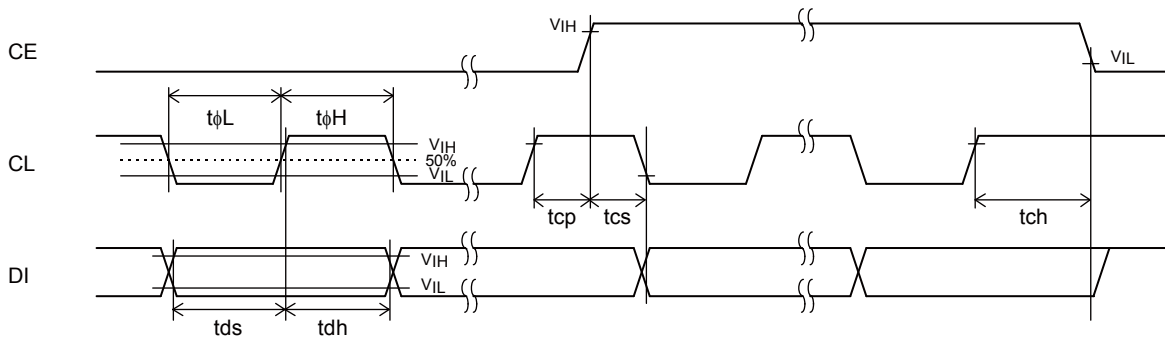
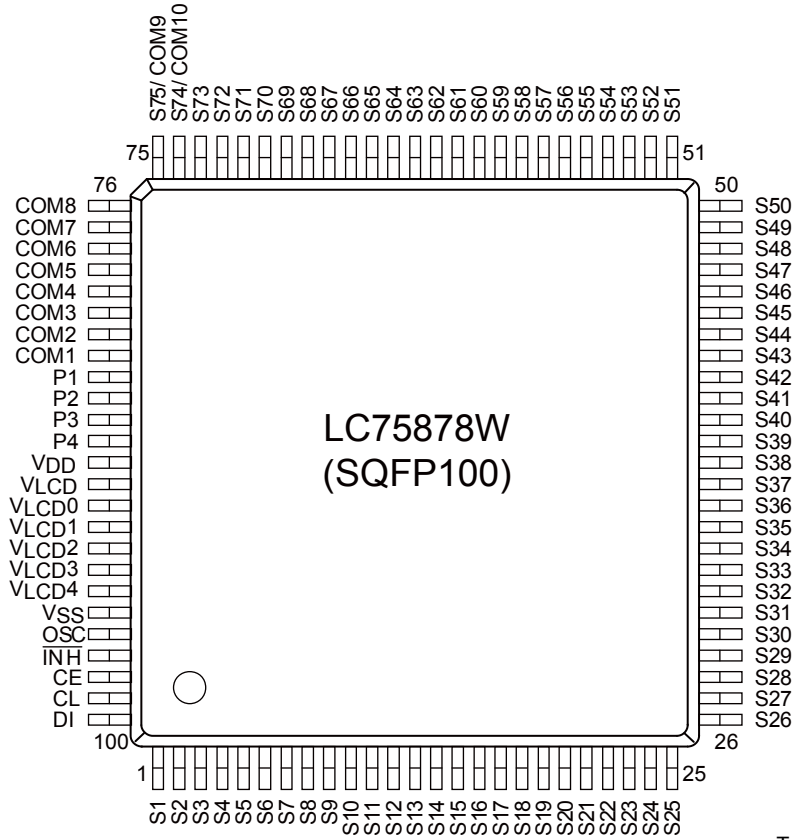


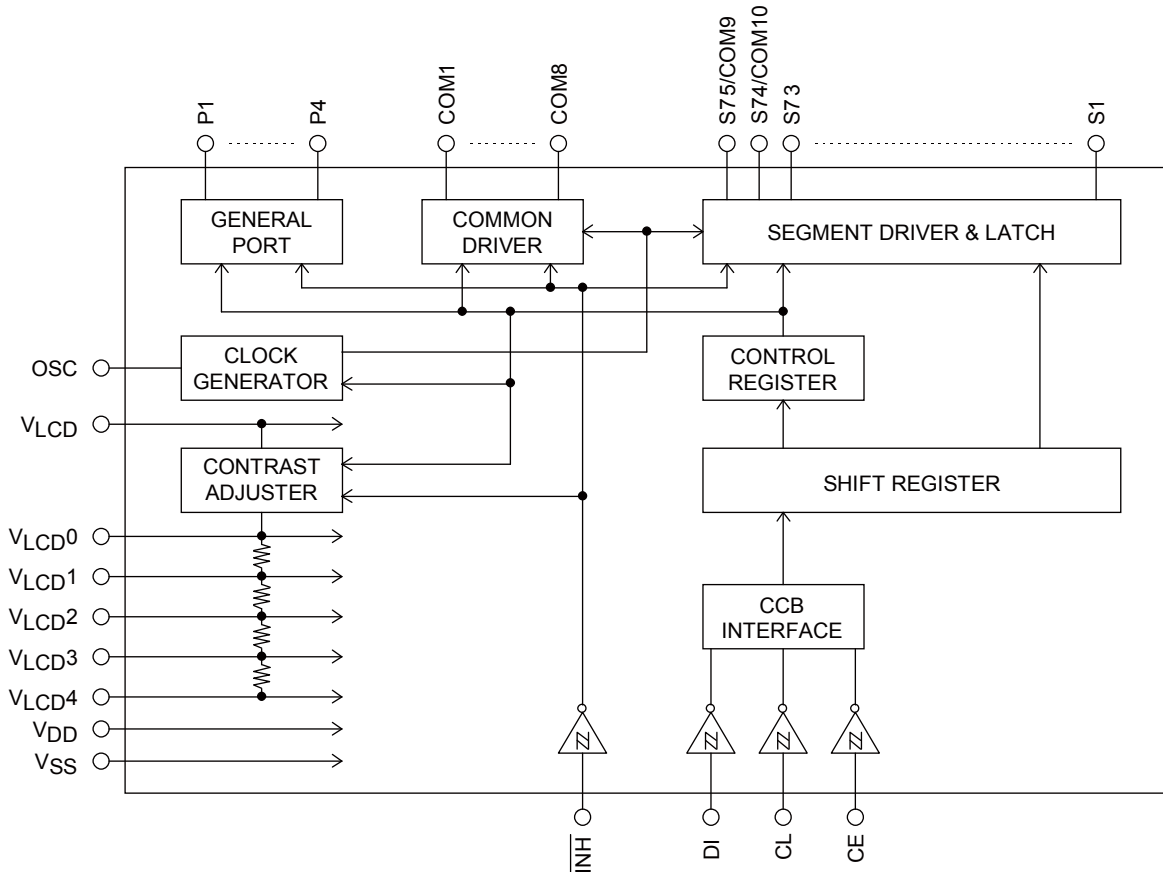
Figure 2

LC75878W

Pin Assignment




Block Diagram



LC75878W

Pin Functions

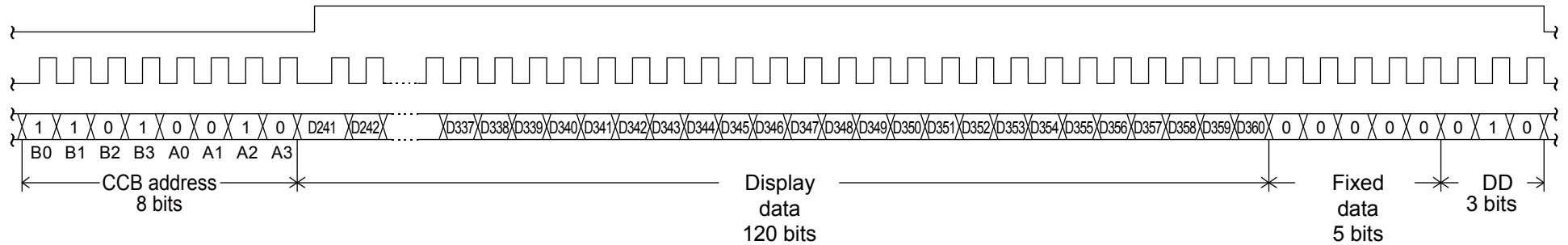
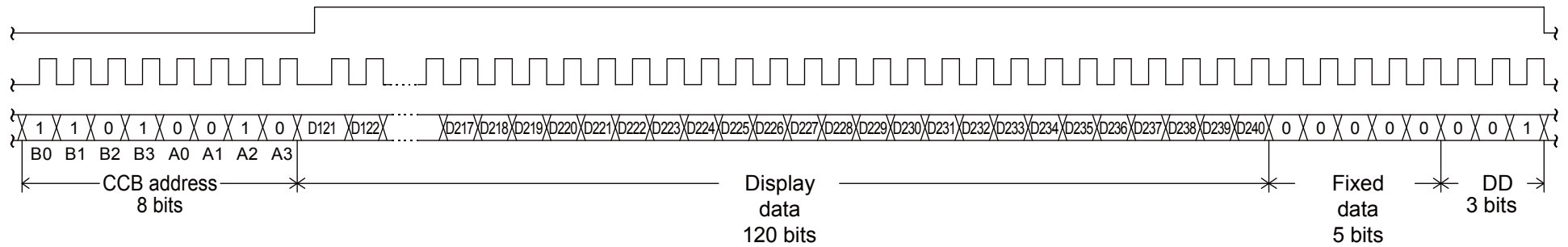
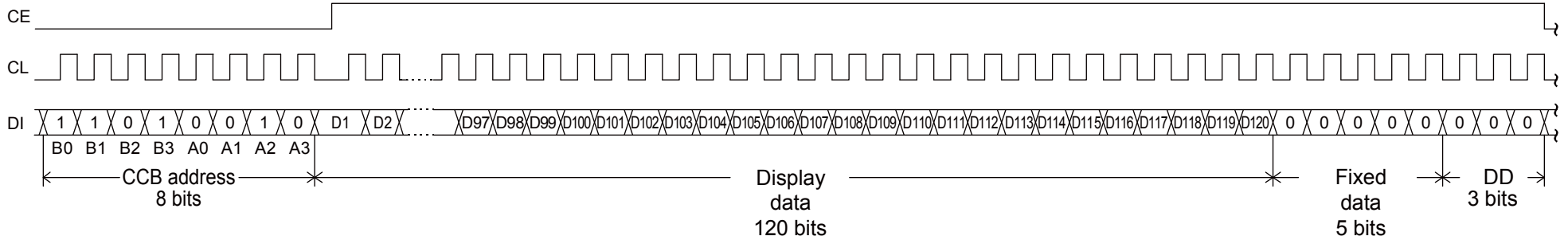
| Symbol | Pin No. | Function | Active | I/O | Handling when unused |
|------------------------------------|---------------------|--|---|-----|----------------------|
| S1 to S73 S74/COM10 S75/COM9 | 1 to 73 74 75 | Segment driver outputs. The S74/COM10 and S75/COM9 pins can be used as common driver outputs under the control data. | - | O | OPEN |
| COM1 to COM8 | 83 to 76 | Common driver outputs. | - | O | OPEN |
| P1 to P4 | 84 to 87 | General-purpose output ports. | - | O | OPEN |
| OSC | 96 | Oscillator connection. An oscillator circuit is formed by connecting an external resistor and capacitor at this pin. | - | I/O | V _{DD} |
| CE | 98 | Serial data transfer inputs. These pins are connected to the microcontroller. CE: Chip enable CL: Synchronization clock DI: Transfer data | H | I | GND |
| CL | 99 | |  | I | |
| DI | 100 | | - | I | |
| $\overline{\text{INH}}$ | 97 | Input that turns the display off and forces the general-purpose output ports low. <ul style="list-style-type: none"> When $\overline{\text{INH}}$ is low (V_{SS}) <ul style="list-style-type: none"> Display off S1 to S73 = "L" (V_{LCD4}). S74/COM10, S75/COM9 = "L" (V_{LCD4}) COM1 to COM8 = "L" (V_{LCD4}). General-purpose output ports P1 to P4 = low (V_{SS}) When $\overline{\text{INH}}$ is high (V_{DD}) <ul style="list-style-type: none"> Display on The states of the general-purpose output ports can be set by the PC1 to PC4 control data. <p>However, serial data can be transferred when the $\overline{\text{INH}}$ pin is low.</p> | L | I | GND |
| V _{LCD0} | 90 | LCD drive 4/4 bias voltage (high level) supply pin. The level on this pin can be changed by the display contrast adjustment circuit. However, (V _{LCD0} - V _{LCD4}) must be greater than or equal to 4.5 V. Also, external power must not be applied to this pin since the pin circuit includes the display contrast adjustment circuit. | - | O | OPEN |
| V _{LCD1} | 91 | LCD drive 3/4 bias voltage (middle level) supply pin. This pin can be used to supply the 3/4 (V _{LCD0} - V _{LCD4}) voltage level externally. | - | I | OPEN |
| V _{LCD2} | 92 | LCD drive 2/4 bias voltage (middle level) supply pin. This pin can be used to supply the 2/4 (V _{LCD0} - V _{LCD4}) voltage level externally. | - | I | OPEN |
| V _{LCD3} | 93 | LCD drive 1/4 bias voltage (middle level) supply pin. This pin can be used to supply the 1/4 (V _{LCD0} - V _{LCD4}) voltage level externally. | - | I | OPEN |
| V _{LCD4} | 94 | LCD drive 0/4 bias voltage (low level) supply pin. Fine adjustment of the display contrast can be implemented by connecting an external variable resistor to this pin. However, (V _{LCD0} - V _{LCD4}) must be greater than or equal to 4.5 V, and V _{LCD4} must be in the range 0 V to 1.5 V, inclusive. | - | I | GND |
| V _{DD} | 88 | Logic block power supply connection. Provide a voltage of between 2.7 and 6.0V. | - | - | - |
| V _{LCD} | 89 | LCD driver block power supply connection. Provide a voltage of between 7.0 and 11.0 V when the display contrast adjustment circuit is used and provide a voltage of between 4.5 and 11.0 V when the circuit is not used. | - | - | - |
| V _{SS} | 95 | Power supply connection. Connect to ground. | - | - | - |

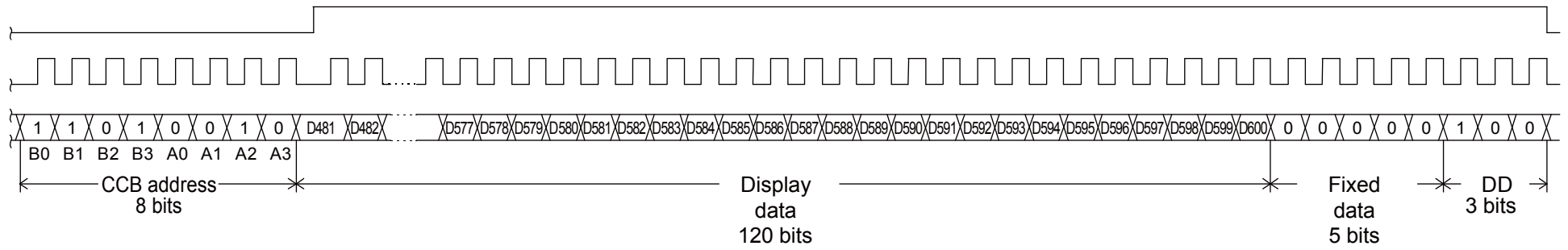
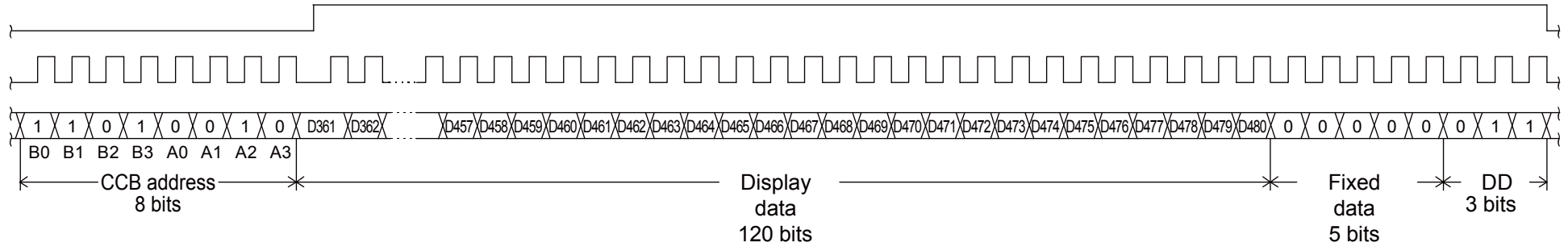
Serial Data Transfer Format

1. 1/8 duty

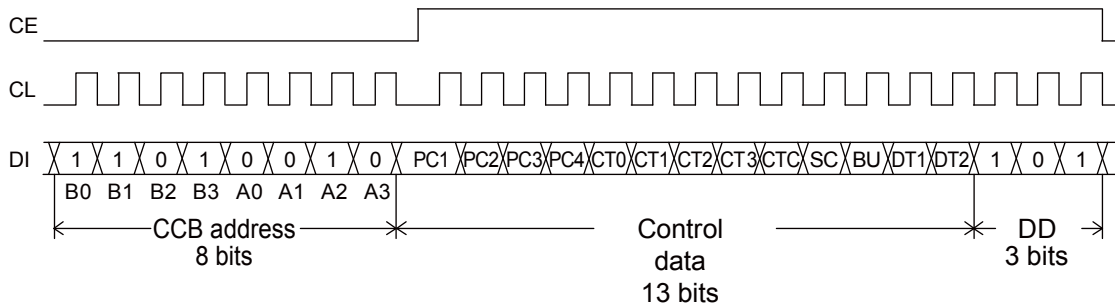
(1) When CL is stopped at the low level

- When the display data is transferred.



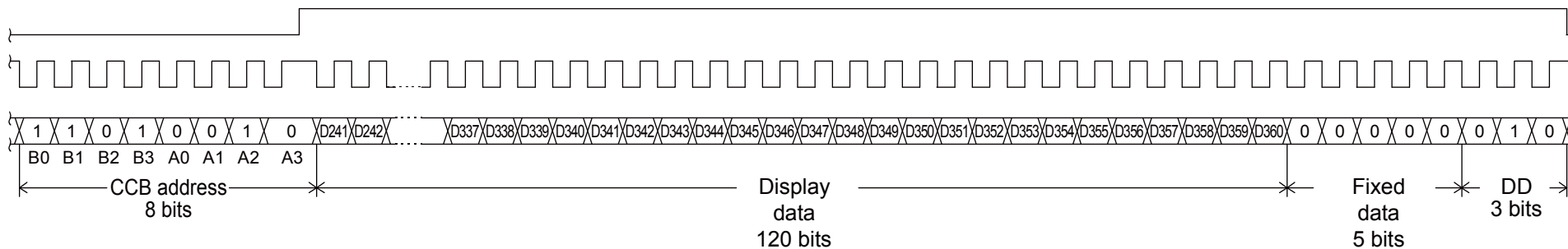
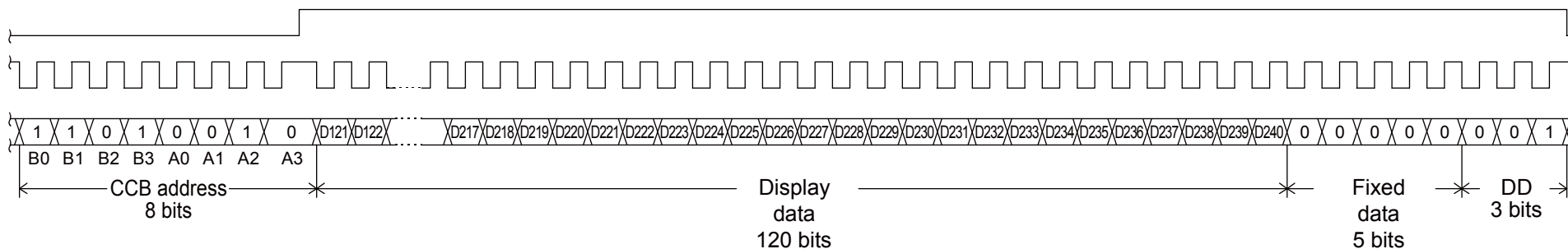
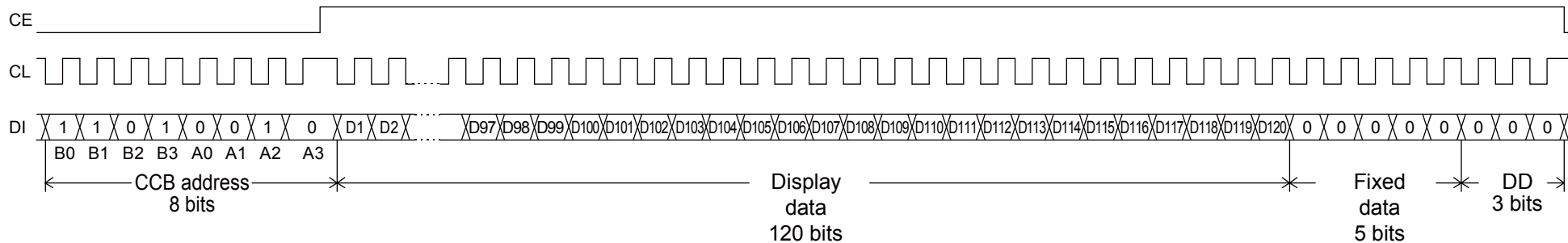


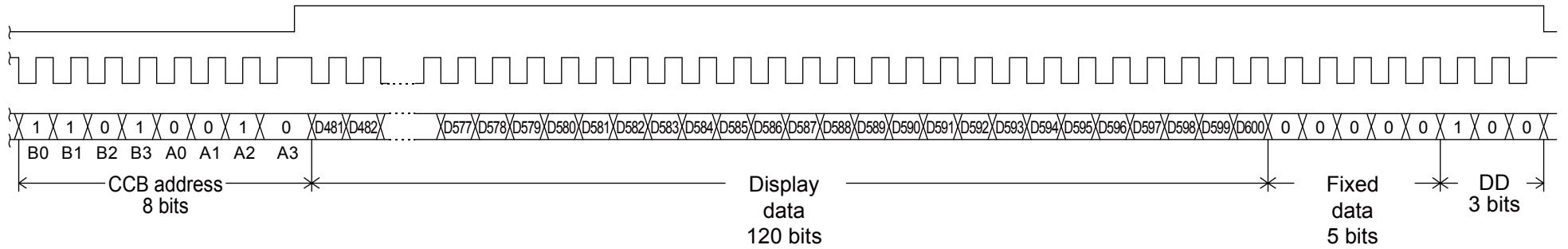
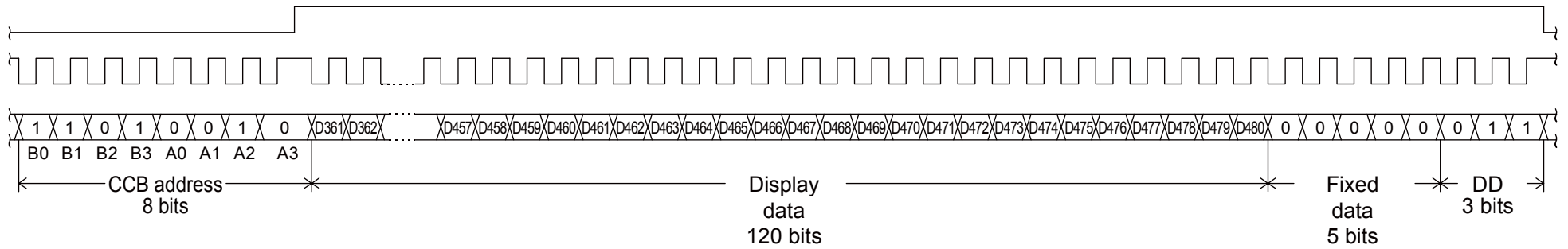
• When the control data is transferred.



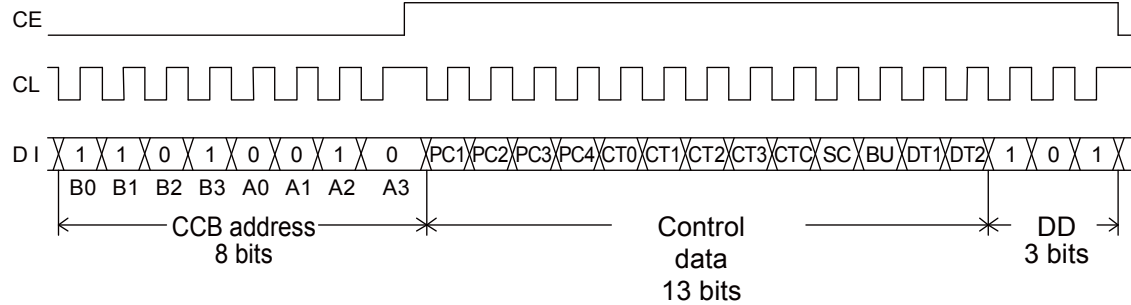
Note: B0 to B3, A0 to A3 CCB address
DD Direction data

- (2) When CL is stopped at the high level
- When the display data is transferred.





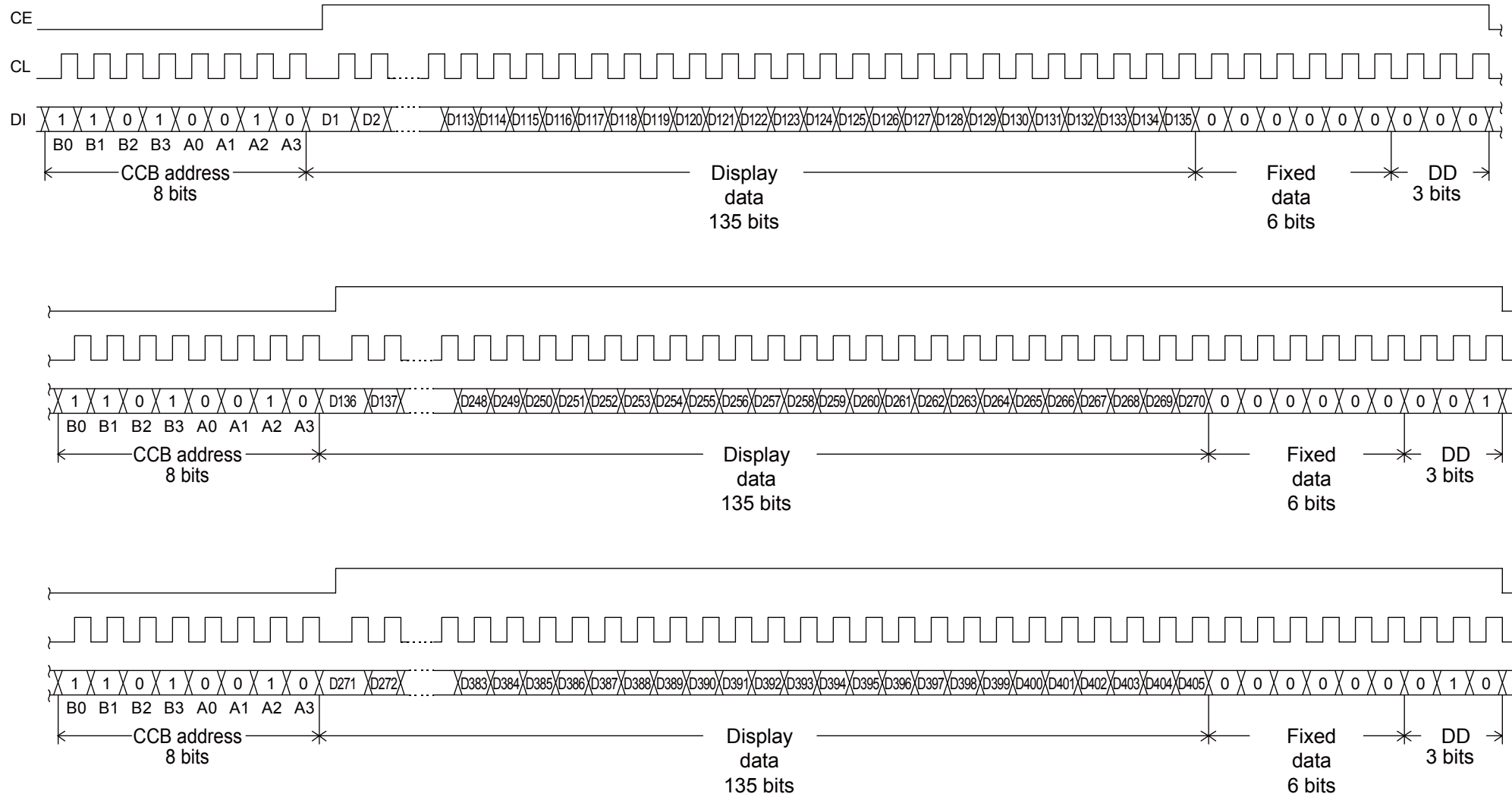
• When the control data is transferred.

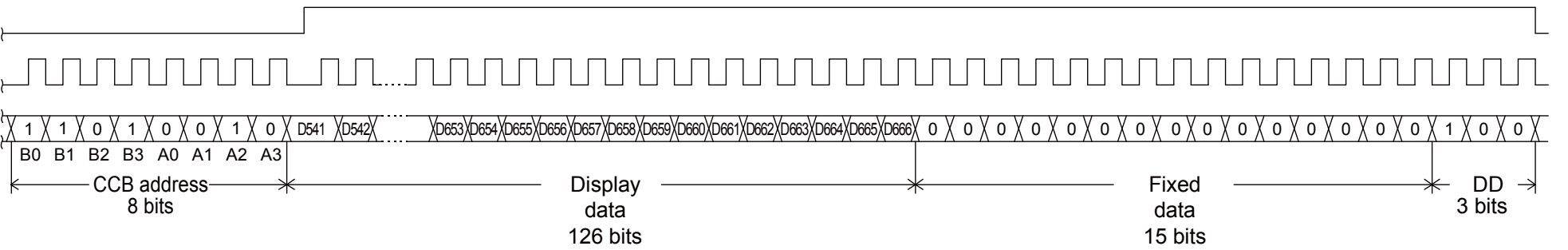
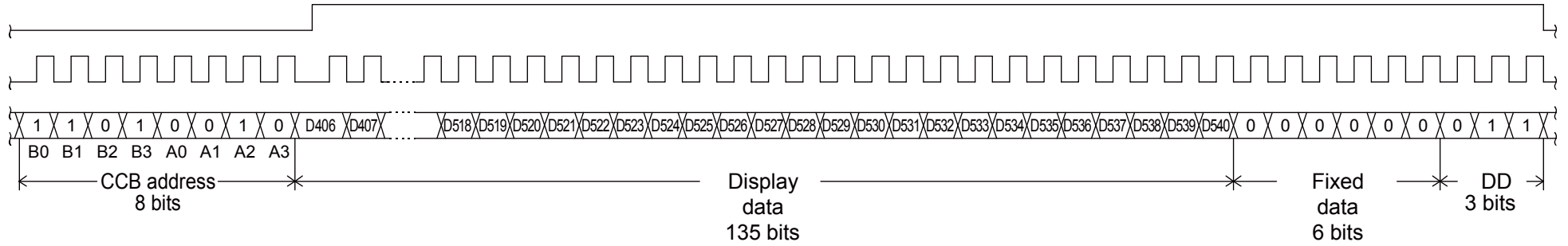


- Note: B0 to B3, A0 to A3 CCB address
 DD..... Direction data
- CCB address: 4BH
 - D1 to D600: Display data
 - PC1 to PC4: General-purpose output port state setting data
 - CT0 to CT3, CTC: Display contrast setting data
 - SC: Segment on/off control data
 - BU: Normal mode/power saving mode control data
 - DT1, DT2:..... Display technique setting data

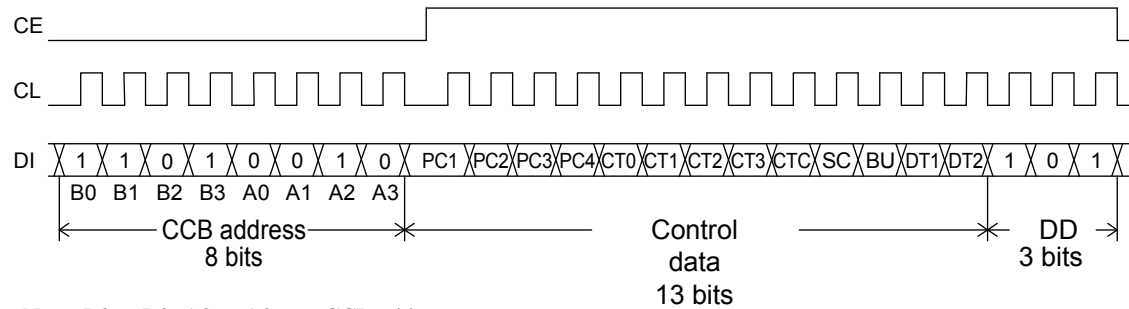
2. 1/9 duty

- (1) When CL is stopped at the low level
- When the display data is transferred.



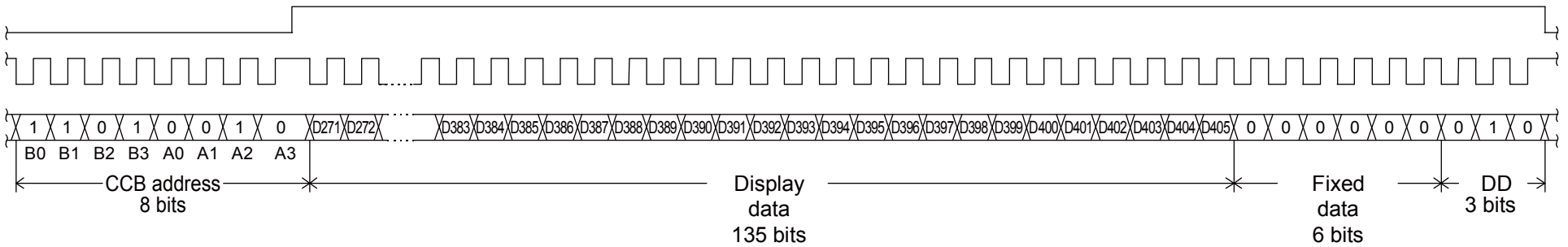
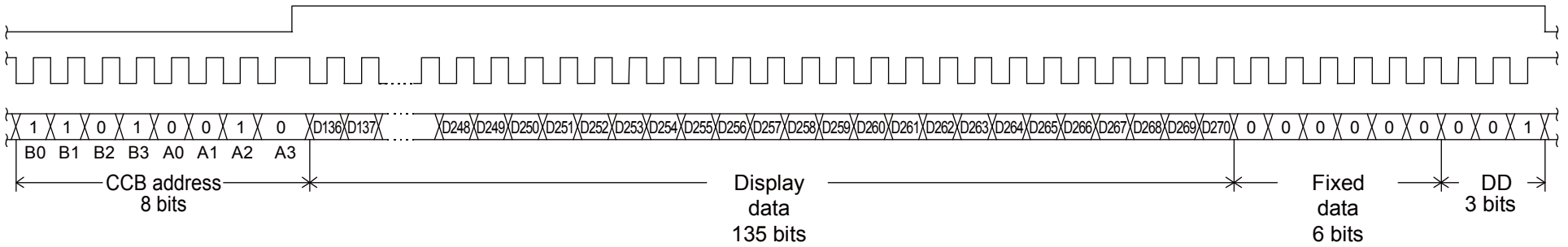
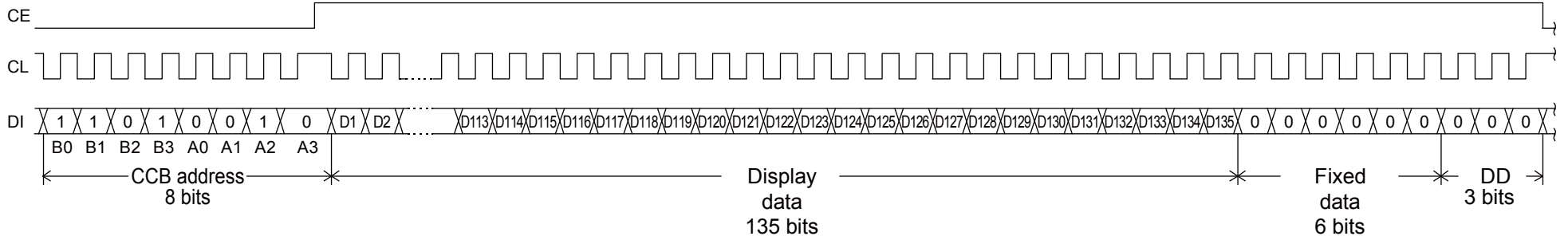


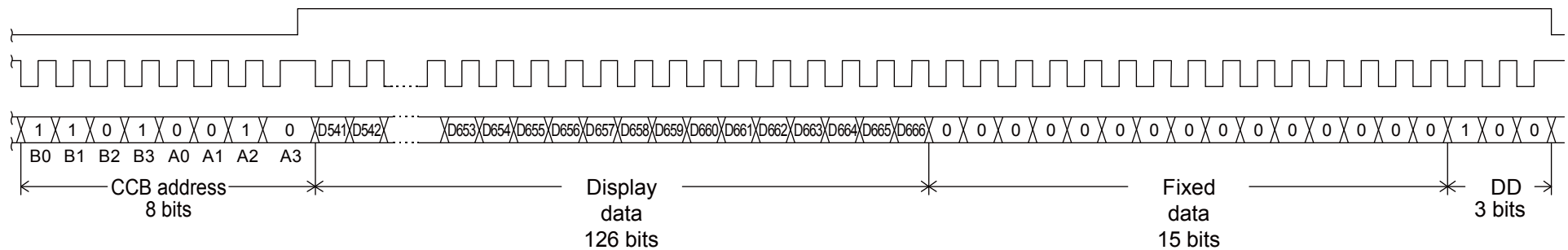
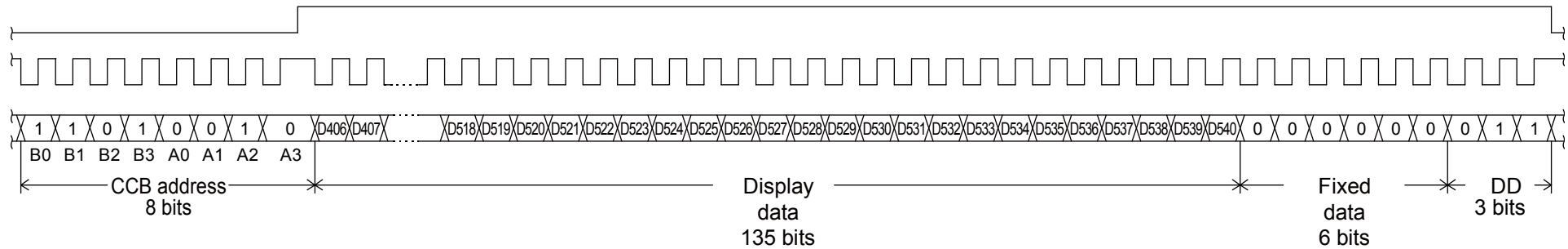
• When the control data is transferred.



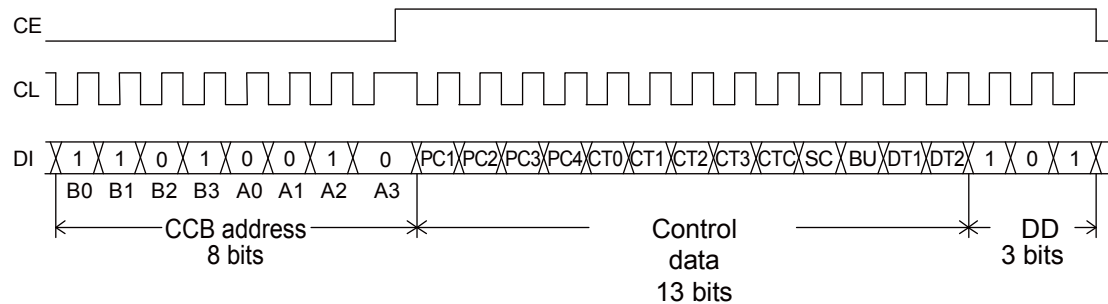
Note: B0 to B3, A0 to A3 CCB address
DD Direction data

- (2) When CL is stopped at the high level
- When the display data is transferred.





• When the control data is transferred.

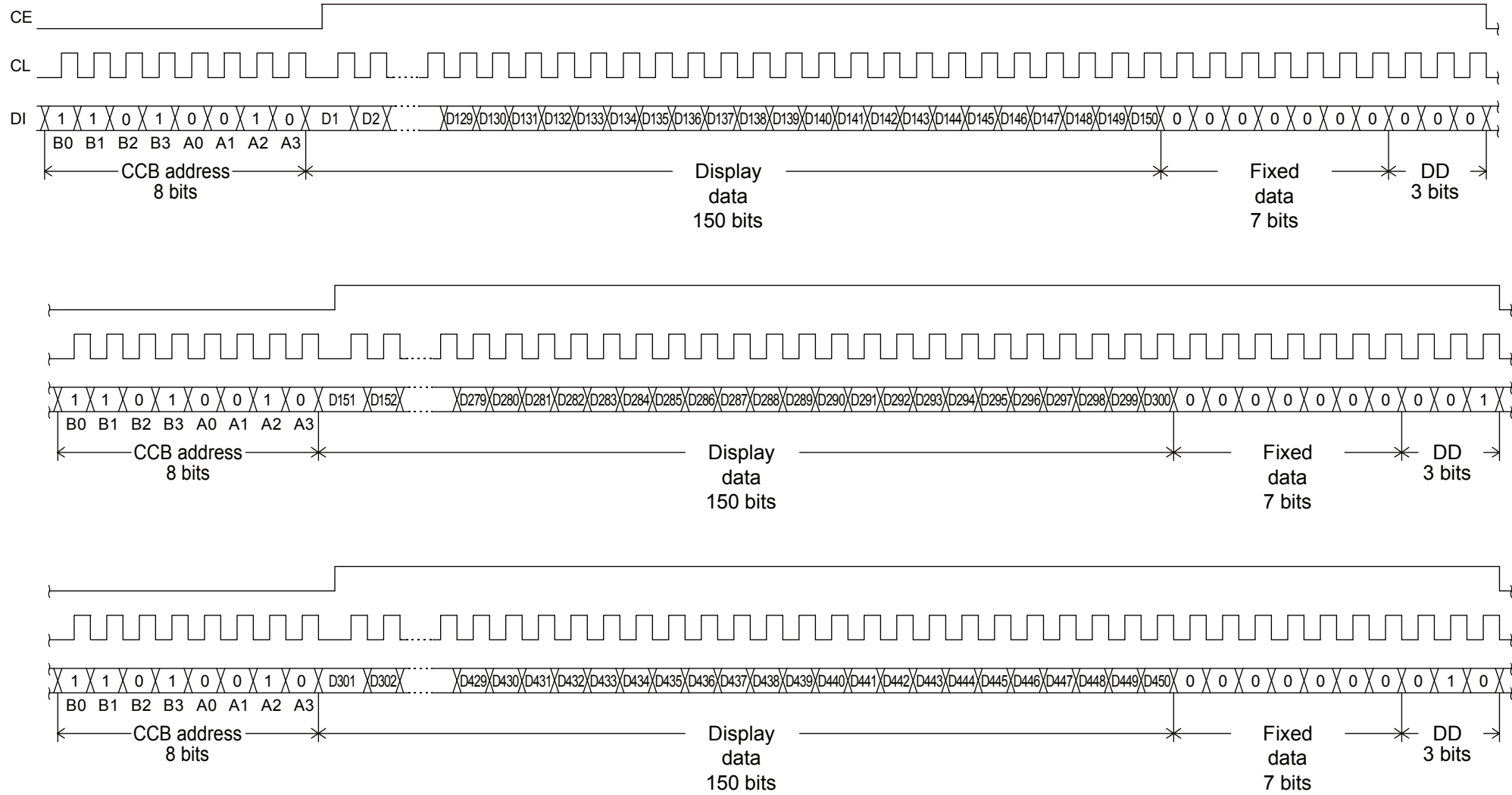


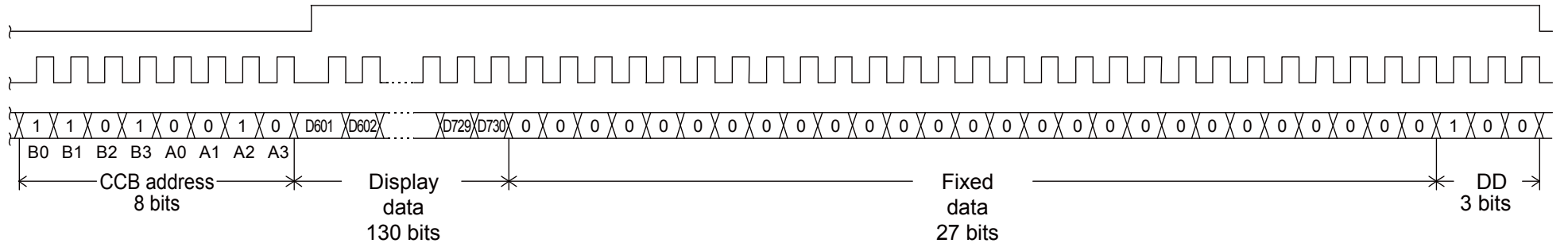
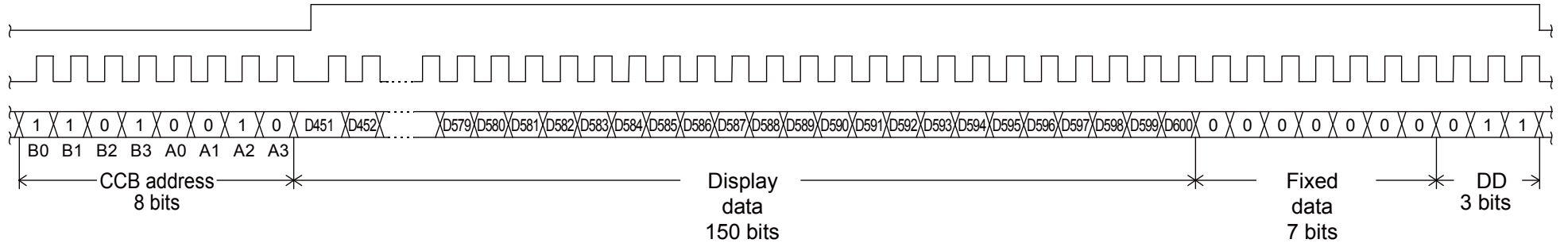
- Note: B0 to B3, A0 to A3 CCB address
- DD..... Direction data
 - CCB address: 4BH
 - D1 to D666: Display data
 - PC1 to PC4: General-purpose output port state setting data
 - CT0 to CT3, CTC: Display contrast setting data
 - SC: Segment on/off control data
 - BU: Normal mode/power saving mode control data
 - DT1, DT2:..... Display technique setting data

3. 1/10 duty

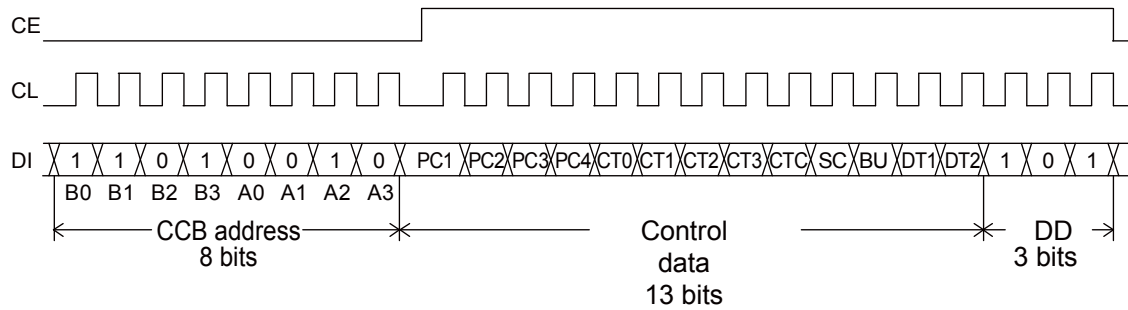
(1) When CL is stopped at the low level

- When the display data is transferred.



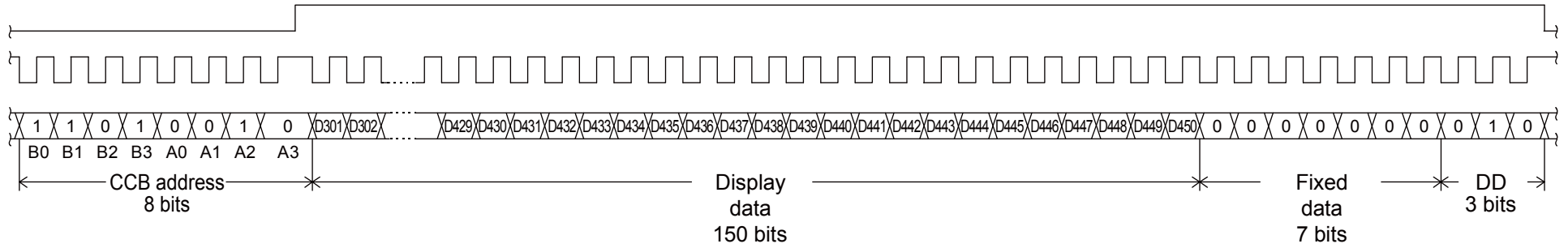
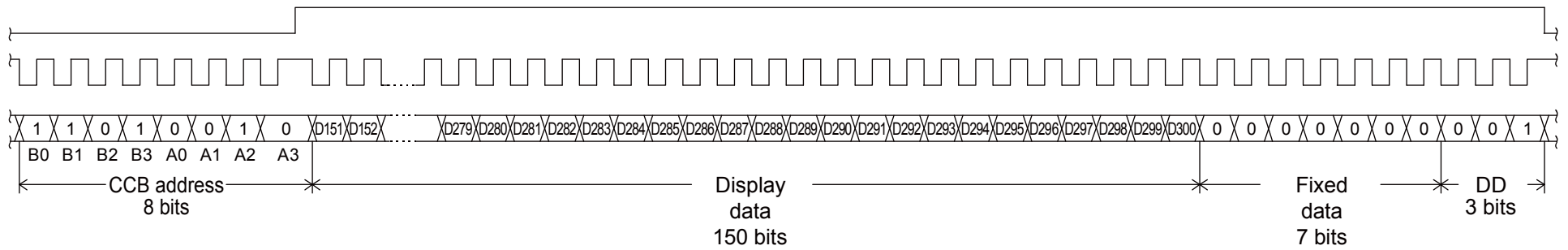
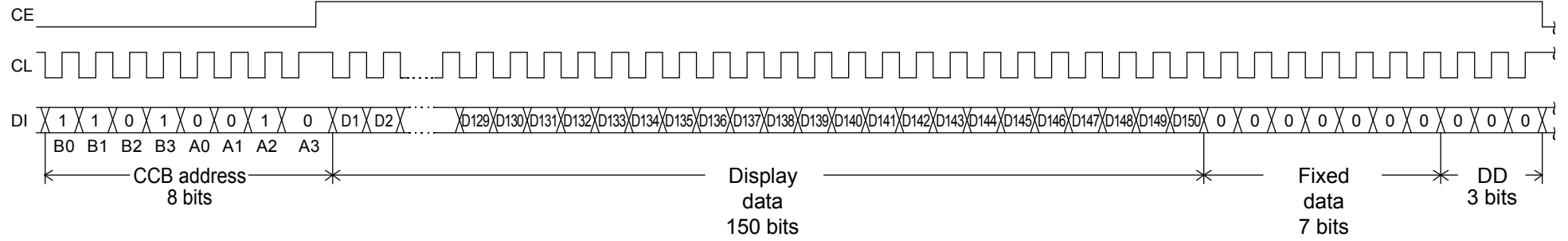


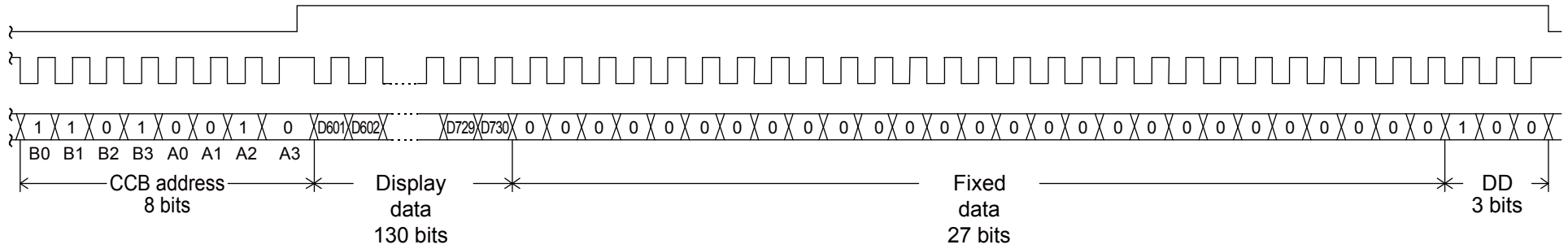
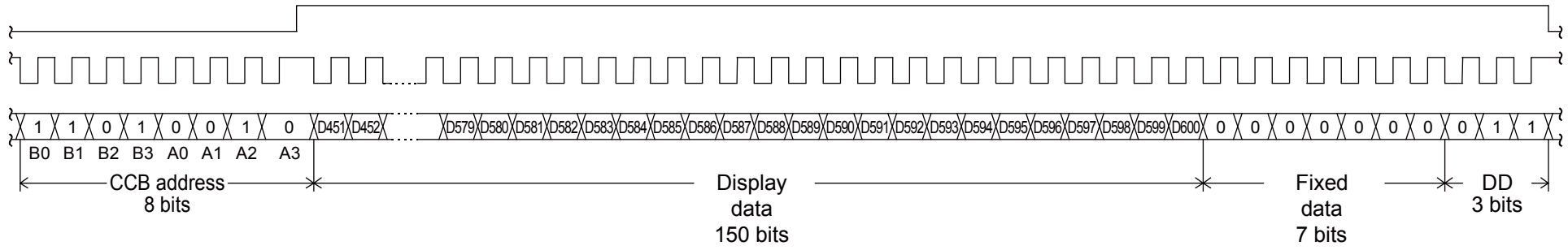
• When the control data is transferred.



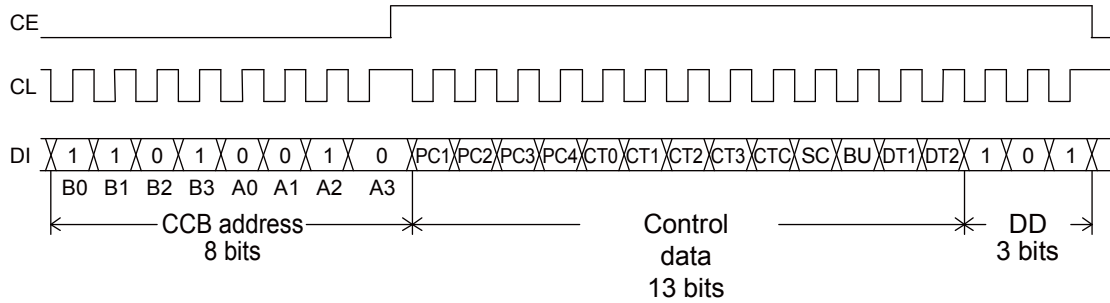
Note: B0 to B3, A0 to A3 CCB address
DD Direction data

- (2) When CL is stopped at the high level
- When the display data is transferred.





• When the control data is transferred.



- Note: B0 to B3, A0 to A3 CCB address
 DD..... Direction data
 · CCB address: 4BH
 · D1 to D730: Display data
 · PC1 to PC4: General-purpose output port state setting data
 · CT0 to CT3, CTC: Display contrast setting data
 · SC: Segment on/off control data
 · BU: Normal mode/power saving mode control data
 · DT1, DT2:..... Display technique setting data

Control Data Functions

1. PC1 to PC4: General-purpose output port state setting data

These control data bits set the states of the general-purpose output ports P1 to P4.

| Output pin | P1 | P2 | P3 | P4 |
|--|-----|-----|-----|-----|
| General-purpose output port state setting data | PC1 | PC2 | PC3 | PC4 |

For example, if PC1 and PC2 are set to 1, and PC3 and PC4 are set to 0, then the output pins P1 and P2 will output high levels (V_{DD}) and the output pins P3 and P4 will output low levels (V_{SS}).

2. CT0 to CT3, CTC: Display contrast setting data

These control data bits set the display contrast.

CT0 to CT3: Display contrast setting (11 steps)

| CT0 | CT1 | CT2 | CT3 | LCD drive 4/4 bias voltage supply V_{LCD0} level |
|-----|-----|-----|-----|--|
| 0 | 0 | 0 | 0 | $0.94V_{LCD}=V_{LCD}-(0.03V_{LCD}\times 2)$ |
| 1 | 0 | 0 | 0 | $0.91V_{LCD}=V_{LCD}-(0.03V_{LCD}\times 3)$ |
| 0 | 1 | 0 | 0 | $0.88V_{LCD}=V_{LCD}-(0.03V_{LCD}\times 4)$ |
| 1 | 1 | 0 | 0 | $0.85V_{LCD}=V_{LCD}-(0.03V_{LCD}\times 5)$ |
| 0 | 0 | 1 | 0 | $0.82V_{LCD}=V_{LCD}-(0.03V_{LCD}\times 6)$ |
| 1 | 0 | 1 | 0 | $0.79V_{LCD}=V_{LCD}-(0.03V_{LCD}\times 7)$ |
| 0 | 1 | 1 | 0 | $0.76V_{LCD}=V_{LCD}-(0.03V_{LCD}\times 8)$ |
| 1 | 1 | 1 | 0 | $0.73V_{LCD}=V_{LCD}-(0.03V_{LCD}\times 9)$ |
| 0 | 0 | 0 | 1 | $0.70V_{LCD}=V_{LCD}-(0.03V_{LCD}\times 10)$ |
| 1 | 0 | 0 | 1 | $0.67V_{LCD}=V_{LCD}-(0.03V_{LCD}\times 11)$ |
| 0 | 1 | 0 | 1 | $0.64V_{LCD}=V_{LCD}-(0.03V_{LCD}\times 12)$ |

CTC: Display contrast adjustment circuit state setting

| CTC | Display contrast adjustment circuit state |
|-----|---|
| 0 | The display contrast adjustment circuit is disabled, and the V_{LCD0} pin level is forced to the V_{LCD} level. |
| 1 | The display contrast adjustment circuit operates and the display contrast is adjusted. |

Note that although the display contrast can be adjusted by operating the built-in display contrast adjustment circuit, it is also possible to apply fine adjustments to the contrast by connecting an external variable resistor to the V_{LCD4} pin and modifying the V_{LCD4} pin voltage. However, the following conditions must be met: $(V_{LCD0} - V_{LCD4}) \geq 4.5 V$, and $1.5 V \geq V_{LCD4} \geq 0 V$.

3. SC: Segment on/off control data

This control data bit controls the on/off state of the segments.

| SC | Display state |
|----|---------------|
| 0 | On |
| 1 | Off |

However, note that when the segments are turned off by setting SC to 1, the segments are turned off by outputting segment off waveforms from the segment output pins.

LC75878W

4. BU: Normal mode/power saving mode control data

This control data bit controls the normal mode and power saving mode.

| BU | Mode |
|----|---|
| 0 | Normal mode |
| 1 | Power-saving mode. The common and segment pins go to the V_{LCD4} level and the oscillator on the OSC pin is stopped. Note that the states of the general-purpose output ports P1 to P4 are set by PC1 to PC4 in the control data during power saving mode as well as normal mode. |

5. DT1, DT2: Display technique setting data

This control data bits set the display technique.

| DT1 | DT2 | Display technique | Output pins | |
|-----|-----|--------------------------|-------------|-----------|
| | | | S75/COM9 | S74/COM10 |
| 0 | 0 | 1/8 duty 1/4 bias drive | S75 | S74 |
| 1 | 0 | 1/9 duty 1/4 bias drive | COM9 | S74 |
| 0 | 1 | 1/10 duty 1/4 bias drive | COM9 | COM10 |

Notes: Sn (n = 74 or 75): Segment outputs

COMn (n = 9 or 10): Common outputs

LC75878W

Display Data and Output Pin Correspondence

• 1/8 duty

| Output Pin | COM1 | COM2 | COM3 | COM4 | COM5 | COM6 | COM7 | COM8 |
|------------|------|------|------|------|------|------|------|------|
| S1 | D1 | D2 | D3 | D4 | D5 | D6 | D7 | D8 |
| S2 | D9 | D10 | D11 | D12 | D13 | D14 | D15 | D16 |
| S3 | D17 | D18 | D19 | D20 | D21 | D22 | D23 | D24 |
| S4 | D25 | D26 | D27 | D28 | D29 | D30 | D31 | D32 |
| S5 | D33 | D34 | D35 | D36 | D37 | D38 | D39 | D40 |
| S6 | D41 | D42 | D43 | D44 | D45 | D46 | D47 | D48 |
| S7 | D49 | D50 | D51 | D52 | D53 | D54 | D55 | D56 |
| S8 | D57 | D58 | D59 | D60 | D61 | D62 | D63 | D64 |
| S9 | D65 | D66 | D67 | D68 | D69 | D70 | D71 | D72 |
| S10 | D73 | D74 | D75 | D76 | D77 | D78 | D79 | D80 |
| S11 | D81 | D82 | D83 | D84 | D85 | D86 | D87 | D88 |
| S12 | D89 | D90 | D91 | D92 | D93 | D94 | D95 | D96 |
| S13 | D97 | D98 | D99 | D100 | D101 | D102 | D103 | D104 |
| S14 | D105 | D106 | D107 | D108 | D109 | D110 | D111 | D112 |
| S15 | D113 | D114 | D115 | D116 | D117 | D118 | D119 | D120 |
| S16 | D121 | D122 | D123 | D124 | D125 | D126 | D127 | D128 |
| S17 | D129 | D130 | D131 | D132 | D133 | D134 | D135 | D136 |
| S18 | D137 | D138 | D139 | D140 | D141 | D142 | D143 | D144 |
| S19 | D145 | D146 | D147 | D148 | D149 | D150 | D151 | D152 |
| S20 | D153 | D154 | D155 | D156 | D157 | D158 | D159 | D160 |
| S21 | D161 | D162 | D163 | D164 | D165 | D166 | D167 | D168 |
| S22 | D169 | D170 | D171 | D172 | D173 | D174 | D175 | D176 |
| S23 | D177 | D178 | D179 | D180 | D181 | D182 | D183 | D184 |
| S24 | D185 | D186 | D187 | D188 | D189 | D190 | D191 | D192 |
| S25 | D193 | D194 | D195 | D196 | D197 | D198 | D199 | D200 |
| S26 | D201 | D202 | D203 | D204 | D205 | D206 | D207 | D208 |
| S27 | D209 | D210 | D211 | D212 | D213 | D214 | D215 | D216 |
| S28 | D217 | D218 | D219 | D220 | D221 | D222 | D223 | D224 |
| S29 | D225 | D226 | D227 | D228 | D229 | D230 | D231 | D232 |
| S30 | D233 | D234 | D235 | D236 | D237 | D238 | D239 | D240 |
| S31 | D241 | D242 | D243 | D244 | D245 | D246 | D247 | D248 |
| S32 | D249 | D250 | D251 | D252 | D253 | D254 | D255 | D256 |
| S33 | D257 | D258 | D259 | D260 | D261 | D262 | D263 | D264 |
| S34 | D265 | D266 | D267 | D268 | D269 | D270 | D271 | D272 |
| S35 | D273 | D274 | D275 | D276 | D277 | D278 | D279 | D280 |
| S36 | D281 | D282 | D283 | D284 | D285 | D286 | D287 | D288 |
| S37 | D289 | D290 | D291 | D292 | D293 | D294 | D295 | D296 |
| S38 | D297 | D298 | D299 | D300 | D301 | D302 | D303 | D304 |
| S39 | D305 | D306 | D307 | D308 | D309 | D310 | D311 | D312 |
| S40 | D313 | D314 | D315 | D316 | D317 | D318 | D319 | D320 |
| S41 | D321 | D322 | D323 | D324 | D325 | D326 | D327 | D328 |
| S42 | D329 | D330 | D331 | D332 | D333 | D334 | D335 | D336 |
| S43 | D337 | D338 | D339 | D340 | D341 | D342 | D343 | D344 |
| S44 | D345 | D346 | D347 | D348 | D349 | D350 | D351 | D352 |
| S45 | D353 | D354 | D355 | D356 | D357 | D358 | D359 | D360 |

Continued on next page.

LC75878W

Continued from preceding page.

| Output Pin | COM1 | COM2 | COM3 | COM4 | COM5 | COM6 | COM7 | COM8 |
|------------|------|------|------|------|------|------|------|------|
| S46 | D361 | D362 | D363 | D364 | D365 | D366 | D367 | D368 |
| S47 | D369 | D370 | D371 | D372 | D373 | D374 | D375 | D376 |
| S48 | D377 | D378 | D379 | D380 | D381 | D382 | D383 | D384 |
| S49 | D385 | D386 | D387 | D388 | D389 | D390 | D391 | D392 |
| S50 | D393 | D394 | D395 | D396 | D397 | D398 | D399 | D400 |
| S51 | D401 | D402 | D403 | D404 | D405 | D406 | D407 | D408 |
| S52 | D409 | D410 | D411 | D412 | D413 | D414 | D415 | D416 |
| S53 | D417 | D418 | D419 | D420 | D421 | D422 | D423 | D424 |
| S54 | D425 | D426 | D427 | D428 | D429 | D430 | D431 | D432 |
| S55 | D433 | D434 | D435 | D436 | D437 | D438 | D439 | D440 |
| S56 | D441 | D442 | D443 | D444 | D445 | D446 | D447 | D448 |
| S57 | D449 | D450 | D451 | D452 | D453 | D454 | D455 | D456 |
| S58 | D457 | D458 | D459 | D460 | D461 | D462 | D463 | D464 |
| S59 | D465 | D466 | D467 | D468 | D469 | D470 | D471 | D472 |
| S60 | D473 | D474 | D475 | D476 | D477 | D478 | D479 | D480 |
| S61 | D481 | D482 | D483 | D484 | D485 | D486 | D487 | D488 |
| S62 | D489 | D490 | D491 | D492 | D493 | D494 | D495 | D496 |
| S63 | D497 | D498 | D499 | D500 | D501 | D502 | D503 | D504 |
| S64 | D505 | D506 | D507 | D508 | D509 | D510 | D511 | D512 |
| S65 | D513 | D514 | D515 | D516 | D517 | D518 | D519 | D520 |
| S66 | D521 | D522 | D523 | D524 | D525 | D526 | D527 | D528 |
| S67 | D529 | D530 | D531 | D532 | D533 | D534 | D535 | D536 |
| S68 | D537 | D538 | D539 | D540 | D541 | D542 | D543 | D544 |
| S69 | D545 | D546 | D547 | D548 | D549 | D550 | D551 | D552 |
| S70 | D553 | D554 | D555 | D556 | D557 | D558 | D559 | D560 |
| S71 | D561 | D562 | D563 | D564 | D565 | D566 | D567 | D568 |
| S72 | D569 | D570 | D571 | D572 | D573 | D574 | D575 | D576 |
| S73 | D577 | D578 | D579 | D580 | D581 | D582 | D583 | D584 |
| S74/COM10 | D585 | D586 | D587 | D588 | D589 | D590 | D591 | D592 |
| S75/COM9 | D593 | D594 | D595 | D596 | D597 | D598 | D599 | D600 |

Note: Applies when the S74/COM10 and S75/COM9 output pins are set to their segment output function.

For example, the table below lists the segment output states for the S11 output pin.

| Display data | | | | | | | | Output pin state (S11) |
|--------------|-----|-----|-----|-----|-----|-----|-----|---|
| D81 | D82 | D83 | D84 | D85 | D86 | D87 | D88 | |
| 0 | 0 | 0 | 0 | 0 | 0 | 0 | 0 | The LCD segments for COM1 to COM8 are off |
| 1 | 0 | 0 | 0 | 0 | 0 | 0 | 0 | The LCD segment for COM1 is on |
| 0 | 1 | 0 | 0 | 0 | 0 | 0 | 0 | The LCD segment for COM2 is on |
| 0 | 0 | 1 | 0 | 0 | 0 | 0 | 0 | The LCD segment for COM3 is on |
| 0 | 0 | 0 | 1 | 0 | 0 | 0 | 0 | The LCD segment for COM4 is on |
| 0 | 0 | 0 | 0 | 1 | 0 | 0 | 0 | The LCD segment for COM5 is on |
| 0 | 0 | 0 | 0 | 0 | 1 | 0 | 0 | The LCD segment for COM6 is on |
| 0 | 0 | 0 | 0 | 0 | 0 | 1 | 0 | The LCD segment for COM7 is on |
| 0 | 0 | 0 | 0 | 0 | 0 | 0 | 1 | The LCD segment for COM8 is on |
| 1 | 1 | 1 | 1 | 1 | 1 | 1 | 1 | The LCD segments for COM1 to COM8 are on |

LC75878W

• 1/9 duty

| Output Pin | COM1 | COM2 | COM3 | COM4 | COM5 | COM6 | COM7 | COM8 | COM9 |
|------------|------|------|------|------|------|------|------|------|------|
| S1 | D1 | D2 | D3 | D4 | D5 | D6 | D7 | D8 | D9 |
| S2 | D10 | D11 | D12 | D13 | D14 | D15 | D16 | D17 | D18 |
| S3 | D19 | D20 | D21 | D22 | D23 | D24 | D25 | D26 | D27 |
| S4 | D28 | D29 | D30 | D31 | D32 | D33 | D34 | D35 | D36 |
| S5 | D37 | D38 | D39 | D40 | D41 | D42 | D43 | D44 | D45 |
| S6 | D46 | D47 | D48 | D49 | D50 | D51 | D52 | D53 | D54 |
| S7 | D55 | D56 | D57 | D58 | D59 | D60 | D61 | D62 | D63 |
| S8 | D64 | D65 | D66 | D67 | D68 | D69 | D70 | D71 | D72 |
| S9 | D73 | D74 | D75 | D76 | D77 | D78 | D79 | D80 | D81 |
| S10 | D82 | D83 | D84 | D85 | D86 | D87 | D88 | D89 | D90 |
| S11 | D91 | D92 | D93 | D94 | D95 | D96 | D97 | D98 | D99 |
| S12 | D100 | D101 | D102 | D103 | D104 | D105 | D106 | D107 | D108 |
| S13 | D109 | D110 | D111 | D112 | D113 | D114 | D115 | D116 | D117 |
| S14 | D118 | D119 | D120 | D121 | D122 | D123 | D124 | D125 | D126 |
| S15 | D127 | D128 | D129 | D130 | D131 | D132 | D133 | D134 | D135 |
| S16 | D136 | D137 | D138 | D139 | D140 | D141 | D142 | D143 | D144 |
| S17 | D145 | D146 | D147 | D148 | D149 | D150 | D151 | D152 | D153 |
| S18 | D154 | D155 | D156 | D157 | D158 | D159 | D160 | D161 | D162 |
| S19 | D163 | D164 | D165 | D166 | D167 | D168 | D169 | D170 | D171 |
| S20 | D172 | D173 | D174 | D175 | D176 | D177 | D178 | D179 | D180 |
| S21 | D181 | D182 | D183 | D184 | D185 | D186 | D187 | D188 | D189 |
| S22 | D190 | D191 | D192 | D193 | D194 | D195 | D196 | D197 | D198 |
| S23 | D199 | D200 | D201 | D202 | D203 | D204 | D205 | D206 | D207 |
| S24 | D208 | D209 | D210 | D211 | D212 | D213 | D214 | D215 | D216 |
| S25 | D217 | D218 | D219 | D220 | D221 | D222 | D223 | D224 | D225 |
| S26 | D226 | D227 | D228 | D229 | D230 | D231 | D232 | D233 | D234 |
| S27 | D235 | D236 | D237 | D238 | D239 | D240 | D241 | D242 | D243 |
| S28 | D244 | D245 | D246 | D247 | D248 | D249 | D250 | D251 | D252 |
| S29 | D253 | D254 | D255 | D256 | D257 | D258 | D259 | D260 | D261 |
| S30 | D262 | D263 | D264 | D265 | D266 | D267 | D268 | D269 | D270 |
| S31 | D271 | D272 | D273 | D274 | D275 | D276 | D277 | D278 | D279 |
| S32 | D280 | D281 | D282 | D283 | D284 | D285 | D286 | D287 | D288 |
| S33 | D289 | D290 | D291 | D292 | D293 | D294 | D295 | D296 | D297 |
| S34 | D298 | D299 | D300 | D301 | D302 | D303 | D304 | D305 | D306 |
| S35 | D307 | D308 | D309 | D310 | D311 | D312 | D313 | D314 | D315 |
| S36 | D316 | D317 | D318 | D319 | D320 | D321 | D322 | D323 | D324 |
| S37 | D325 | D326 | D327 | D328 | D329 | D330 | D331 | D332 | D333 |
| S38 | D334 | D335 | D336 | D337 | D338 | D339 | D340 | D341 | D342 |
| S39 | D343 | D344 | D345 | D346 | D347 | D348 | D349 | D350 | D351 |
| S40 | D352 | D353 | D354 | D355 | D356 | D357 | D358 | D359 | D360 |
| S41 | D361 | D362 | D363 | D364 | D365 | D366 | D367 | D368 | D369 |
| S42 | D370 | D371 | D372 | D373 | D374 | D375 | D376 | D377 | D378 |
| S43 | D379 | D380 | D381 | D382 | D383 | D384 | D385 | D386 | D387 |
| S44 | D388 | D389 | D390 | D391 | D392 | D393 | D394 | D395 | D396 |
| S45 | D397 | D398 | D399 | D400 | D401 | D402 | D403 | D404 | D405 |

Continued on next page.

LC75878W

Continued from preceding page.

| Output Pin | COM1 | COM2 | COM3 | COM4 | COM5 | COM6 | COM7 | COM8 | COM9 |
|------------|------|------|------|------|------|------|------|------|------|
| S46 | D406 | D407 | D408 | D409 | D410 | D411 | D412 | D413 | D414 |
| S47 | D415 | D416 | D417 | D418 | D419 | D420 | D421 | D422 | D423 |
| S48 | D424 | D425 | D426 | D427 | D428 | D429 | D430 | D431 | D432 |
| S49 | D433 | D434 | D435 | D436 | D437 | D438 | D439 | D440 | D441 |
| S50 | D442 | D443 | D444 | D445 | D446 | D447 | D448 | D449 | D450 |
| S51 | D451 | D452 | D453 | D454 | D455 | D456 | D457 | D458 | D459 |
| S52 | D460 | D461 | D462 | D463 | D464 | D465 | D466 | D467 | D468 |
| S53 | D469 | D470 | D471 | D472 | D473 | D474 | D475 | D476 | D477 |
| S54 | D478 | D479 | D480 | D481 | D482 | D483 | D484 | D485 | D486 |
| S55 | D487 | D488 | D489 | D490 | D491 | D492 | D493 | D494 | D495 |
| S56 | D496 | D497 | D498 | D499 | D500 | D501 | D502 | D503 | D504 |
| S57 | D505 | D506 | D507 | D508 | D509 | D510 | D511 | D512 | D513 |
| S58 | D514 | D515 | D516 | D517 | D518 | D519 | D520 | D521 | D522 |
| S59 | D523 | D524 | D525 | D526 | D527 | D528 | D529 | D530 | D531 |
| S60 | D532 | D533 | D534 | D535 | D536 | D537 | D538 | D539 | D540 |
| S61 | D541 | D542 | D543 | D544 | D545 | D546 | D547 | D548 | D549 |
| S62 | D550 | D551 | D552 | D553 | D554 | D555 | D556 | D557 | D558 |
| S63 | D559 | D560 | D561 | D562 | D563 | D564 | D565 | D566 | D567 |
| S64 | D568 | D569 | D570 | D571 | D572 | D573 | D574 | D575 | D576 |
| S65 | D577 | D578 | D579 | D580 | D581 | D582 | D583 | D584 | D585 |
| S66 | D586 | D587 | D588 | D589 | D590 | D591 | D592 | D593 | D594 |
| S67 | D595 | D596 | D597 | D598 | D599 | D600 | D601 | D602 | D603 |
| S68 | D604 | D605 | D606 | D607 | D608 | D609 | D610 | D611 | D612 |
| S69 | D613 | D614 | D615 | D616 | D617 | D618 | D619 | D620 | D621 |
| S70 | D622 | D623 | D624 | D625 | D626 | D627 | D628 | D629 | D630 |
| S71 | D631 | D632 | D633 | D634 | D635 | D636 | D637 | D638 | D639 |
| S72 | D640 | D641 | D642 | D643 | D644 | D645 | D646 | D647 | D648 |
| S73 | D649 | D650 | D651 | D652 | D653 | D654 | D655 | D656 | D657 |
| S74/COM10 | D658 | D659 | D660 | D661 | D662 | D663 | D664 | D665 | D666 |

Note: Applies when the S74/COM10 output pin is set to its segment output function.

For example, the table below lists the segment output states for the S11 output pin.

| Display data | | | | | | | | | Output pin state (S11) |
|--------------|-----|-----|-----|-----|-----|-----|-----|-----|---|
| D91 | D92 | D93 | D94 | D95 | D96 | D97 | D98 | D99 | |
| 0 | 0 | 0 | 0 | 0 | 0 | 0 | 0 | 0 | The LCD segments for COM1 to COM9 are off |
| 1 | 0 | 0 | 0 | 0 | 0 | 0 | 0 | 0 | The LCD segment for COM1 is on |
| 0 | 1 | 0 | 0 | 0 | 0 | 0 | 0 | 0 | The LCD segment for COM2 is on |
| 0 | 0 | 1 | 0 | 0 | 0 | 0 | 0 | 0 | The LCD segment for COM3 is on |
| 0 | 0 | 0 | 1 | 0 | 0 | 0 | 0 | 0 | The LCD segment for COM4 is on |
| 0 | 0 | 0 | 0 | 1 | 0 | 0 | 0 | 0 | The LCD segment for COM5 is on |
| 0 | 0 | 0 | 0 | 0 | 1 | 0 | 0 | 0 | The LCD segment for COM6 is on |
| 0 | 0 | 0 | 0 | 0 | 0 | 1 | 0 | 0 | The LCD segment for COM7 is on |
| 0 | 0 | 0 | 0 | 0 | 0 | 0 | 1 | 0 | The LCD segment for COM8 is on |
| 0 | 0 | 0 | 0 | 0 | 0 | 0 | 0 | 1 | The LCD segment for COM9 is on |
| 1 | 1 | 1 | 1 | 1 | 1 | 1 | 1 | 1 | The LCD segments for COM1 to COM9 are on |

LC75878W

• 1/10 duty

| Output Pin | COM1 | COM2 | COM3 | COM4 | COM5 | COM6 | COM7 | COM8 | COM9 | COM10 |
|------------|------|------|------|------|------|------|------|------|------|-------|
| S1 | D1 | D2 | D3 | D4 | D5 | D6 | D7 | D8 | D9 | D10 |
| S2 | D11 | D12 | D13 | D14 | D15 | D16 | D17 | D18 | D19 | D20 |
| S3 | D21 | D22 | D23 | D24 | D25 | D26 | D27 | D28 | D29 | D30 |
| S4 | D31 | D32 | D33 | D34 | D35 | D36 | D37 | D38 | D39 | D40 |
| S5 | D41 | D42 | D43 | D44 | D45 | D46 | D47 | D48 | D49 | D50 |
| S6 | D51 | D52 | D53 | D54 | D55 | D56 | D57 | D58 | D59 | D60 |
| S7 | D61 | D62 | D63 | D64 | D65 | D66 | D67 | D68 | D69 | D70 |
| S8 | D71 | D72 | D73 | D74 | D75 | D76 | D77 | D78 | D79 | D80 |
| S9 | D81 | D82 | D83 | D84 | D85 | D86 | D87 | D88 | D89 | D90 |
| S10 | D91 | D92 | D93 | D94 | D95 | D96 | D97 | D98 | D99 | D100 |
| S11 | D101 | D102 | D103 | D104 | D105 | D106 | D107 | D108 | D109 | D110 |
| S12 | D111 | D112 | D113 | D114 | D115 | D116 | D117 | D118 | D119 | D120 |
| S13 | D121 | D122 | D123 | D124 | D125 | D126 | D127 | D128 | D129 | D130 |
| S14 | D131 | D132 | D133 | D134 | D135 | D136 | D137 | D138 | D139 | D140 |
| S15 | D141 | D142 | D143 | D144 | D145 | D146 | D147 | D148 | D149 | D150 |
| S16 | D151 | D152 | D153 | D154 | D155 | D156 | D157 | D158 | D159 | D160 |
| S17 | D161 | D162 | D163 | D164 | D165 | D166 | D167 | D168 | D169 | D170 |
| S18 | D171 | D172 | D173 | D174 | D175 | D176 | D177 | D178 | D179 | D180 |
| S19 | D181 | D182 | D183 | D184 | D185 | D186 | D187 | D188 | D189 | D190 |
| S20 | D191 | D192 | D193 | D194 | D195 | D196 | D197 | D198 | D199 | D200 |
| S21 | D201 | D202 | D203 | D204 | D205 | D206 | D207 | D208 | D209 | D210 |
| S22 | D211 | D212 | D213 | D214 | D215 | D216 | D217 | D218 | D219 | D220 |
| S23 | D221 | D222 | D223 | D224 | D225 | D226 | D227 | D228 | D229 | D230 |
| S24 | D231 | D232 | D233 | D234 | D235 | D236 | D237 | D238 | D239 | D240 |
| S25 | D241 | D242 | D243 | D244 | D245 | D246 | D247 | D248 | D249 | D250 |
| S26 | D251 | D252 | D253 | D254 | D255 | D256 | D257 | D258 | D259 | D260 |
| S27 | D261 | D262 | D263 | D264 | D265 | D266 | D267 | D268 | D269 | D270 |
| S28 | D271 | D272 | D273 | D274 | D275 | D276 | D277 | D278 | D279 | D280 |
| S29 | D281 | D282 | D283 | D284 | D285 | D286 | D287 | D288 | D289 | D290 |
| S30 | D291 | D292 | D293 | D294 | D295 | D296 | D297 | D298 | D299 | D300 |
| S31 | D301 | D302 | D303 | D304 | D305 | D306 | D307 | D308 | D309 | D310 |
| S32 | D311 | D312 | D313 | D314 | D315 | D316 | D317 | D318 | D319 | D320 |
| S33 | D321 | D322 | D323 | D324 | D325 | D326 | D327 | D328 | D329 | D330 |
| S34 | D331 | D332 | D333 | D334 | D335 | D336 | D337 | D338 | D339 | D340 |
| S35 | D341 | D342 | D343 | D344 | D345 | D346 | D347 | D348 | D349 | D350 |
| S36 | D351 | D352 | D353 | D354 | D355 | D356 | D357 | D358 | D359 | D360 |
| S37 | D361 | D362 | D363 | D364 | D365 | D366 | D367 | D368 | D369 | D370 |
| S38 | D371 | D372 | D373 | D374 | D375 | D376 | D377 | D378 | D379 | D380 |
| S39 | D381 | D382 | D383 | D384 | D385 | D386 | D387 | D388 | D389 | D390 |
| S40 | D391 | D392 | D393 | D394 | D395 | D396 | D397 | D398 | D399 | D400 |
| S41 | D401 | D402 | D403 | D404 | D405 | D406 | D407 | D408 | D409 | D410 |
| S42 | D411 | D412 | D413 | D414 | D415 | D416 | D417 | D418 | D419 | D420 |
| S43 | D421 | D422 | D423 | D424 | D425 | D426 | D427 | D428 | D429 | D430 |
| S44 | D431 | D432 | D433 | D434 | D435 | D436 | D437 | D438 | D439 | D440 |
| S45 | D441 | D442 | D443 | D444 | D445 | D446 | D447 | D448 | D449 | D450 |

Continued on next page.