



Chipsmall Limited consists of a professional team with an average of over 10 year of expertise in the distribution of electronic components. Based in Hongkong, we have already established firm and mutual-benefit business relationships with customers from,Europe,America and south Asia,supplying obsolete and hard-to-find components to meet their specific needs.

With the principle of “Quality Parts,Customers Priority,Honest Operation,and Considerate Service”,our business mainly focus on the distribution of electronic components. Line cards we deal with include Microchip,ALPS,ROHM,Xilinx,Pulse,ON,Everlight and Freescale. Main products comprise IC,Modules,Potentiometer,IC Socket,Relay,Connector.Our parts cover such applications as commercial,industrial, and automotives areas.

We are looking forward to setting up business relationship with you and hope to provide you with the best service and solution. Let us make a better world for our industry!



## Contact us

Tel: +86-755-8981 8866 Fax: +86-755-8427 6832

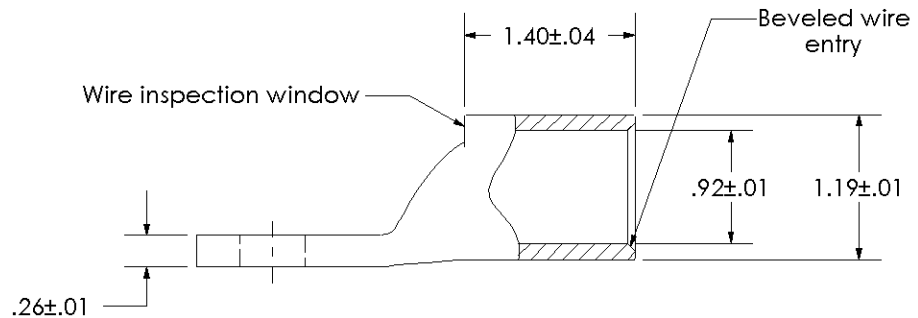
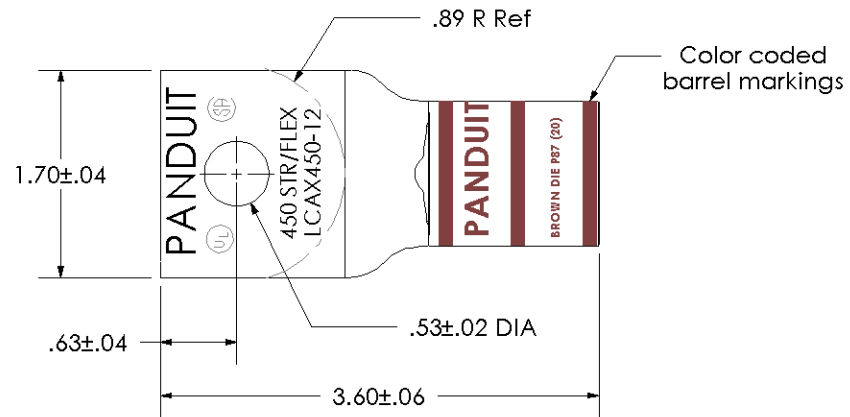
Email & Skype: info@chipsmall.com Web: www.chipsmall.com

Address: A1208, Overseas Decoration Building, #122 Zhenhua RD., Futian, Shenzhen, China



THIS COPY IS PROVIDED ON A RESTRICTED BASIS AND IS NOT TO BE USED IN ANY WAY DETRIMENTAL TO THE INTERESTS OF PANDUIT CORP.

|                                                |                                                                                                                                                |
|------------------------------------------------|------------------------------------------------------------------------------------------------------------------------------------------------|
| Material                                       | High Conductivity Seamless Copper Tube                                                                                                         |
| Plating                                        | Electro-Tin                                                                                                                                    |
| Wire Size                                      | 450 STR/FLEX                                                                                                                                   |
| Wire Type                                      | Stranded Copper:<br>Class G, H, I, K, M,<br>Locomotive                                                                                         |
| Wire Strip Length                              | 1-7/16 in.                                                                                                                                     |
| Stud Size                                      | 1/2 in.                                                                                                                                        |
| UL Listed Wire Connector                       | Yes, for applications up to 35kv. Consult cable manufacturer for voltage stress relief instructions with applications greater than 2000 volts. |
| UL Temperature Rating                          | 90° C                                                                                                                                          |
| C.S.A Certified Wire Connector                 | Yes                                                                                                                                            |
| Panduit Color Code on Barrel                   | BROWN                                                                                                                                          |
| Panduit Die Index No. on Barrel                | P87                                                                                                                                            |
| Alternate Industry Die Index No. ( ) on Barrel | (20)                                                                                                                                           |



CERTIFIED



LISTED  
Wire Connector

**PANDUIT CORP.** TINLEY PARK, ILLINOIS

LCAX450-12-6  
Copper Lug - One-Hole, Standard Flex Barrel

00 6/03 CJW SAC

RELEASED

10850

REV DATE BY CHK

DESCRIPTION

ECN

SCALE  
N/A

DRAWING NO / CAD FILE

LCAX450-12-CUST