



Chipsmall Limited consists of a professional team with an average of over 10 year of expertise in the distribution of electronic components. Based in Hongkong, we have already established firm and mutual-benefit business relationships with customers from,Europe,America and south Asia,supplying obsolete and hard-to-find components to meet their specific needs.

With the principle of “Quality Parts,Customers Priority,Honest Operation,and Considerate Service”,our business mainly focus on the distribution of electronic components. Line cards we deal with include Microchip,ALPS,ROHM,Xilinx,Pulse,ON,Everlight and Freescale. Main products comprise IC,Modules,Potentiometer,IC Socket,Relay,Connector.Our parts cover such applications as commercial,industrial, and automotives areas.

We are looking forward to setting up business relationship with you and hope to provide you with the best service and solution. Let us make a better world for our industry!



Contact us

Tel: +86-755-8981 8866 Fax: +86-755-8427 6832

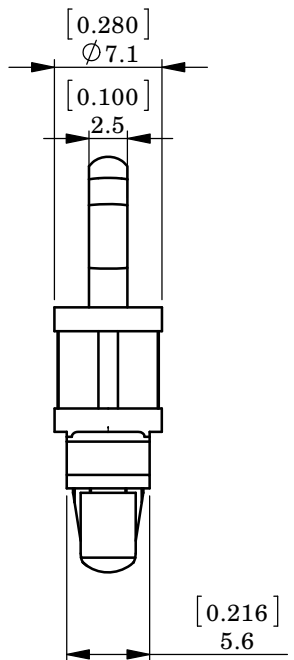
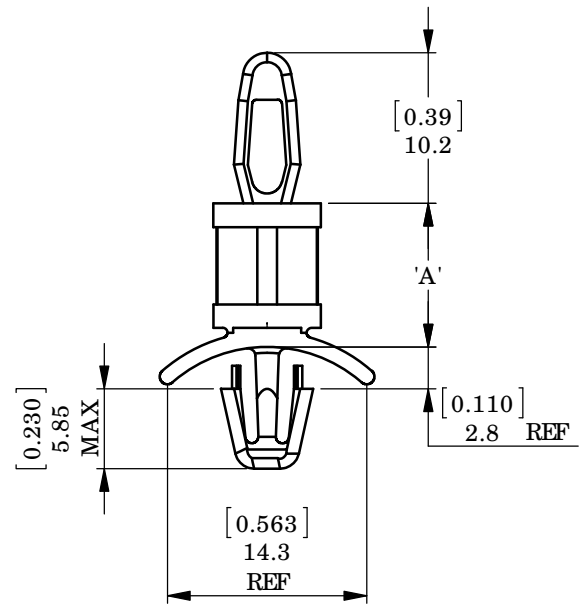
Email & Skype: info@chipsmall.com Web: www.chipsmall.com

Address: A1208, Overseas Decoration Building, #122 Zhenhua RD., Futian, Shenzhen, China



REV.	MODIFICATION.	DATE	DRN
01	CO 2011120	22/03/11	SF

TOP FIX: TO SNAP-FIT A $\phi 4[0.157] \pm 0.08[0.003]$
HOLE IN A 1.6[0.063] PANEL



BOTTOM FIX: TO SNAP-LOCK A
 $\phi 4.8[0.189] \pm 0.08[0.003]$ HOLE
IN A 0.76 - 2 [0.03 - 0.079] PANEL

PART NUMBER		'A' $\pm 0.4[.015]$
NYLON 6/6 UL94-V2(RMS-01)	NYLON 6/6 UL94-V0(RMS-19)	
COLOUR: NATURAL	COLOUR: NATURAL	
LCBS-4-3-01	LCBS-4-3-19	4.8[.189]
LCBS-4-4-01	LCBS-4-4-19	6.4[.252]
LCBS-4-5-01	LCBS-4-5-19	7.9[.311]
LCBS-4-6-01	LCBS-4-6-19	9.5[.374]
LCBS-4-7-01	LCBS-4-7-19	11.1[.437]
LCBS-4-8-01	LCBS-4-8-19	12.7[.500]
LCBS-4-10-01	LCBS-4-10-19	15.9[.626]
LCBS-4-12-01	LCBS-4-12-19	19.1[.752]
LCBS-4-14-01	LCBS-4-14-19	22.2[.874]
LCBS-4-16-01	LCBS-4-16-19	25.4[1.00]
LCBS-4-18-01	LCBS-4-18-19	28.6[1.126]
LCBS-4-20-01	LCBS-4-20-19	31.8[1.252]
LCBS-4-22-01	LCBS-4-22-19	34.9[1.374]
OTHER COLOURS AVAILABLE BY SPECIAL ORDER		

ALTERNATE UNITS FOR REFERENCE ONLY

INFORMATION CONTAINED IN THIS DOCUMENT IS CONFIDENTIAL TO RICHCO INTERNATIONAL Co. Ltd. AND MAY NOT BE DISCLOSED OR REPRODUCED IN WHOLE OR PART WITHOUT THEIR WRITTEN CONSENT

RICHCO, INC. WWW.RICHCO-INC.COM	ALL DIMENSIONS IN mm [inches] GENERAL TOLERANCES ± 0.25 UNLESS OTHERWISE STATED 1 DECIMAL PLACE \pm 2 DECIMAL PLACES \pm ANGULAR $\pm 1^\circ$	THIRD ANGLE
---	---	-----------------

MATERIAL: See table COLOUR: See table

DESCRIPTION: LOCKING CIRCUIT BOARD SUPPORT PART No: See Table

DRG No: 100-0404 NPR No: SHEET SIZE A4

DRN SF	DATE 22/03/11	CHKD TC	DATE 22/03/11	SCALE NTS	SHEET No. 1 OF 1
--------	---------------	---------	---------------	-----------	------------------