



Chipsmall Limited consists of a professional team with an average of over 10 year of expertise in the distribution of electronic components. Based in Hongkong, we have already established firm and mutual-benefit business relationships with customers from,Europe,America and south Asia,supplying obsolete and hard-to-find components to meet their specific needs.

With the principle of “Quality Parts,Customers Priority,Honest Operation,and Considerate Service”,our business mainly focus on the distribution of electronic components. Line cards we deal with include Microchip,ALPS,ROHM,Xilinx,Pulse,ON,Everlight and Freescale. Main products comprise IC,Modules,Potentiometer,IC Socket,Relay,Connector.Our parts cover such applications as commercial,industrial, and automotives areas.

We are looking forward to setting up business relationship with you and hope to provide you with the best service and solution. Let us make a better world for our industry!



Contact us

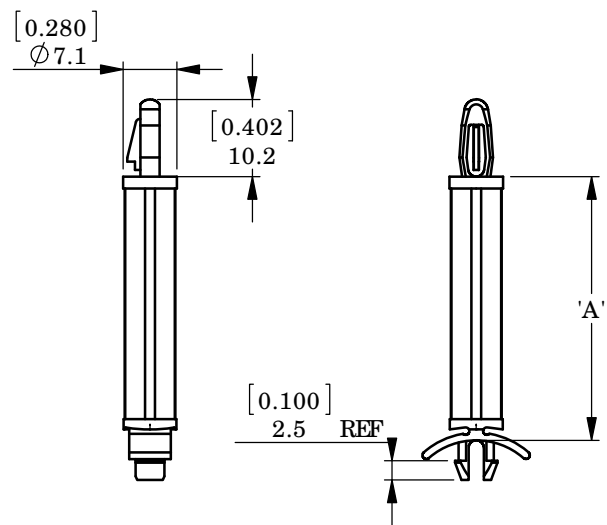
Tel: +86-755-8981 8866 Fax: +86-755-8427 6832

Email & Skype: info@chipsmall.com Web: www.chipsmall.com

Address: A1208, Overseas Decoration Building, #122 Zhenhua RD., Futian, Shenzhen, China



TOP FIX: TO SNAP-LOCK KA $\phi 4[0.157] \pm 0.08[0.003]$ HOLE
IN A 1.6[0.063] THICK PANEL



BOTTOM FIX: TO SNAP-LOCK KA $\phi 4.8[0.189] \pm 0.08[0.003]$
HOLE IN A 0.76 - 2[0.03-0.079] PANEL

REV.	MODIFICATION.	DATE	DRN
03	CO2011026	29/11/10	SF
04	CO2011110	25/02/11	SF

PARTNUMBER		'A' $\pm 0.4[.015]$
NYLON 6/6 UL94-V2(RMS-01)	NYLON 6/6 UL94-V0(RMS-19)	
COLOUR: NATURAL	COLOUR: NATURAL	
LCBS-5-3-01	LCBS-5-3-19	4.8[.189]
LCBS-5-4-01	LCBS-5-4-19	6.4[.252]
LCBS-5-5-01	LCBS-5-5-19	7.9[.311]
LCBS-5-6-01	LCBS-5-6-19	9.5[.374]
LCBS-5-7-01	LCBS-5-7-19	11.1[.437]
LCBS-5-8-01	LCBS-5-8-19	12.7[.500]
LCBS-5-10-01	LCBS-5-10-19	15.9[.626]
LCBS-5-12-01	LCBS-5-12-19	19.1[.752]
LCBS-5-14-01	LCBS-5-14-19	22.2[.874]
LCBS-5-16-01	LCBS-5-16-19	25.4[1.00]
LCBS-5-18-01	LCBS-5-18-19	28.6[1.126]
LCBS-5-20-01	LCBS-5-20-19	31.8[1.252]
LCBS-5-22-01	LCBS-5-22-19	34.9[1.374]
OTHER COLOURS AVAILABLE BY SPECIAL ORDER		

ALTERNATE UNITS FOR REFERENCE ONLY

INFORMATION CONTAINED IN THIS DOCUMENT IS CONFIDENTIAL TO RICHCO INTERNATIONAL Co., Ltd. AND MAY NOT BE DISCLOSED OR REPRODUCED IN WHOLE OR PART WITHOUT THEIR WRITTEN CONSENT

RICHCO, INC.
WWW.RICHCO-INC.COM

ALL DIMENSIONS IN mm [inches]
GENERAL TOLERANCES ± 0.25
UNLESS OTHERWISE STATED
1 DECIMAL PLACE \pm
2 DECIMAL PLACES \pm
ANGULAR $\pm 1^\circ$

THIRD ANGLE

MATERIAL: SEE TABLE
COLOUR: SEE TABLE

DESCRIPTION: LOCKING CIRCUIT BOARD SUPPORT
PART No: See Table

DRG No: 100-0501
NPR No:

SHEET SIZE A4

DRN SF
DATE 29/11/10
CHKD TC
DATE 29/11/10
SCALE NTS
SHEET No. 1 OF 1