



Chipsmall Limited consists of a professional team with an average of over 10 year of expertise in the distribution of electronic components. Based in Hongkong, we have already established firm and mutual-benefit business relationships with customers from,Europe,America and south Asia,supplying obsolete and hard-to-find components to meet their specific needs.

With the principle of “Quality Parts,Customers Priority,Honest Operation,and Considerate Service”,our business mainly focus on the distribution of electronic components. Line cards we deal with include Microchip,ALPS,ROHM,Xilinx,Pulse,ON,Everlight and Freescale. Main products comprise IC,Modules,Potentiometer,IC Socket,Relay,Connector.Our parts cover such applications as commercial,industrial, and automotives areas.

We are looking forward to setting up business relationship with you and hope to provide you with the best service and solution. Let us make a better world for our industry!



## Contact us

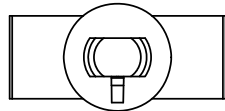
Tel: +86-755-8981 8866 Fax: +86-755-8427 6832

Email & Skype: info@chipsmall.com Web: www.chipsmall.com

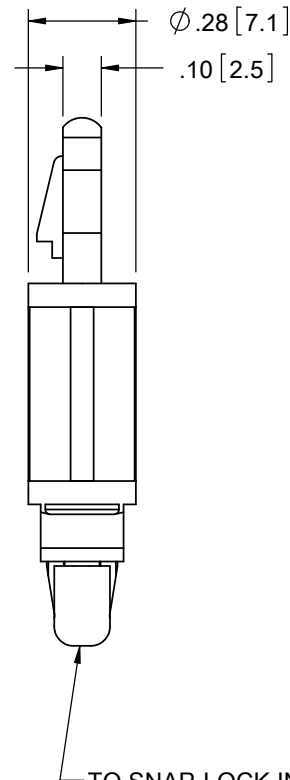
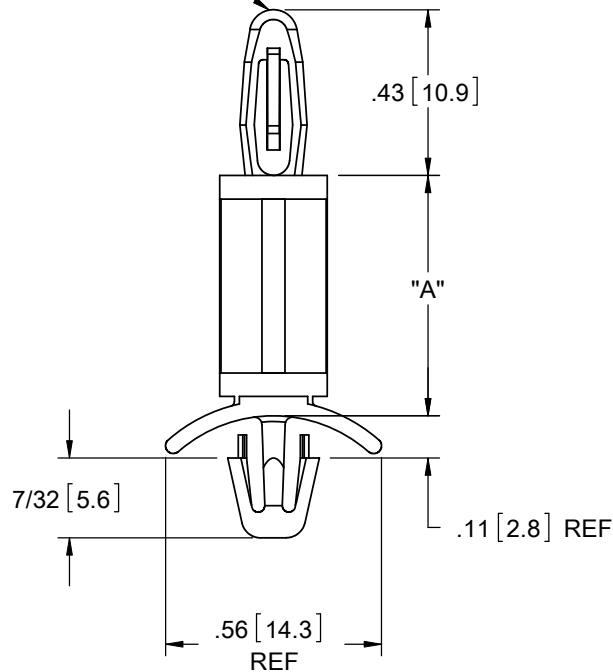
Address: A1208, Overseas Decoration Building, #122 Zhenhua RD., Futian, Shenzhen, China



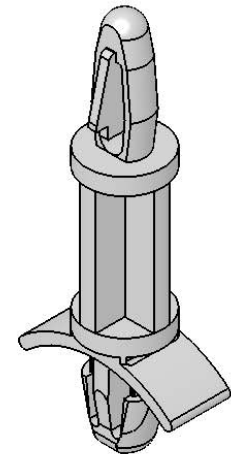
AVAILABLE BY SPECIAL ORDER- NAFTA REGION ONLY



TO SNAP-LOCK IN A .156±.003  
[4±0.08] DIA. HOLE, IN A  
.093 [2.4] PANEL THICKNESS



TO SNAP-LOCK IN A .187±.003  
[4.75±0.08] DIA. HOLE, IN A  
.031-.078 [0.79-1.98] PANEL THICKNESS



MATERIAL: NYLON 6/6 UL 94 V-2 (RMS-01) PART NO.	DIM. "A"±.015 [0.4]
LCBSA-3-3-01	3/16 [4.8]
LCBSA-3-4-01	1/4 [6.4]
LCBSA-3-5-01	5/16 [7.9]
LCBSA-3-6-01	3/8 [9.5]
LCBSA-3-7-01	7/16 [11.1]
LCBSA-3-8-01	1/2 [12.7]
LCBSA-3-10-01	5/8 [15.9]
LCBSA-3-12-01	3/4 [19.1]
LCBSA-3-14-01	7/8 [22.2]
LCBSA-3-16-01	1 [25.4]
LCBSA-3-18-01	1-1/8 [28.6]
LCBSA-3-20-01	1-1/4 [31.7]
LCBSA-3-22-01	1-3/8 [34.9]

NOTES:

1. MATERIAL: NYLON 6/6 UL 94 V-0 (RMS-19), AVAILABLE BY SPECIAL ORDER. TO ORDER REPLACE "-01" WITH "-19".
2. COLOR: NATURAL.
3. ALTERNATE UNITS FOR REFERENCE ONLY.

TITLE: <b>LOCKING CKT BD. SUPPORT, SPECIAL</b>				DWG IN IN [MM]		FINAL	
CREATED USING SOLIDWORKS	FILE #: LCBSA-3	DWN: SK	APP: RT	PART #		PRINT TYPE	
TOLERANCES UNLESS NOTED XX=±.010 .XXX=±.005 FRAC.=±1/64 ANG.=±1°	SHEET: 1 OF 1 SHEET SIZE: A	DT: 08/24/06	CHKD: SJ				
REV.	DESCRIPTION	ENGR.	DATE	SEE TABLE		CA	

REV.	DESCRIPTION	ENGR.	DATE
D	CHANGED PART NO. CO 200605	SK	12/02/10
C	REDRAWN, SEE ECN #1208 FOR CHANGES	SK	11/29/06
B	SEE ECN #862 FOR CHANGES	SM	10/04/04
A	UPDATED PRINT AND CHANGED FILE NO.	SM	09.27.01

**RICHCO, INC.**  
ENG@RICHCO-INC.COM  
(773) 539-4060