



Chipsmall Limited consists of a professional team with an average of over 10 year of expertise in the distribution of electronic components. Based in Hongkong, we have already established firm and mutual-benefit business relationships with customers from,Europe,America and south Asia,supplying obsolete and hard-to-find components to meet their specific needs.

With the principle of "Quality Parts,Customers Priority,Honest Operation,and Considerate Service",our business mainly focus on the distribution of electronic components. Line cards we deal with include Microchip,ALPS,ROHM,Xilinx,Pulse,ON,Everlight and Freescale. Main products comprise IC,Modules,Potentiometer,IC Socket,Relay,Connector.Our parts cover such applications as commercial,industrial, and automotives areas.

We are looking forward to setting up business relationship with you and hope to provide you with the best service and solution. Let us make a better world for our industry!



Contact us

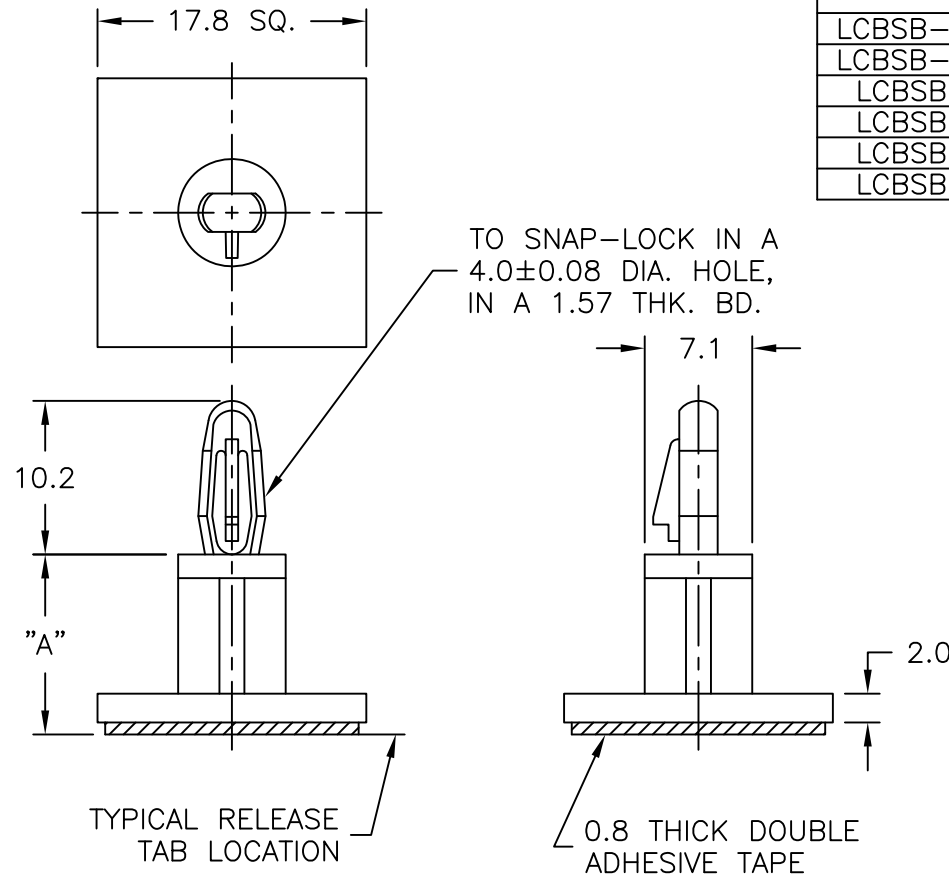
Tel: +86-755-8981 8866 Fax: +86-755-8427 6832

Email & Skype: info@chipsmall.com Web: www.chipsmall.com

Address: A1208, Overseas Decoration Building, #122 Zhenhua RD., Futian, Shenzhen, China



PART NO.	DIM "A" ±0.4
LCBSB-6M-01A-RT	6.0
LCBSB-8M-01A-RT	8.0
LCBSB-10M-01A	10.0
LCBSB-12M-01A	12.0
LCBSB-14M-01A	14.0
LCBSB-16M-01A	16.0



NOTES:

1. MATERIAL: NYLON 6/6 (RMS-01).
FLAME RETARDANT, NYLON (RMS-19),
AVAILABLE BY SPECIAL ORDER ONLY.
2. COLOR: NATURAL.
BLUE AVAILABLE BY SPECIAL ORDER ONLY.
3. PART ALSO AVAILABLE WITHOUT ADHESIVE.
TO ORDER REMOVE "A"/"A-RT" FROM P/N.
FOR NEW "A" DIM. SUBTRACT 0.8
4. ACRYLIC ADHESIVE TAPE (RMS-15),
WHITE LINER.

TITLE: LOCKING CKT. BD. SUPPORT ON BASE (METRIC)		DWG IN MM		FINAL	
TOLERANCES UNLESS NOTED .X=±0.25 .XX=±0.13 ANG=±1°	FILE # LCBSB-M	DWN: P.B.	APP:	PART #	
	MAT'L: SEE NOTES	DT: 01-04-95	DT:	SEE TABLE	
	RE: RICHCO, INC.	RICHCO INC. PO BOX 804238, CHICAGO, 60680 (773) 539-4060		PRINT TYPE CA	
D	SEE CO 200773 FOR CHANGES	SK 04.30.12			
C	SEE CO 200290 FOR CHANGES	SK 12.04.08			
B	UPDATED NOTES AND CHANGED FILE NO.	SM 07.31.02			
A	GIVEN NEW FILE NUMBER	JB 09.05.95			
REV	DESCRIPTION	ENGR DATE			