

Chipsmall Limited consists of a professional team with an average of over 10 year of expertise in the distribution of electronic components. Based in Hongkong, we have already established firm and mutual-benefit business relationships with customers from,Europe,America and south Asia,supplying obsolete and hard-to-find components to meet their specific needs.

With the principle of “Quality Parts,Customers Priority,Honest Operation,and Considerate Service”,our business mainly focus on the distribution of electronic components. Line cards we deal with include Microchip,ALPS,ROHM,Xilinx,Pulse,ON,Everlight and Freescale. Main products comprise IC,Modules,Potentiometer,IC Socket,Relay,Connector.Our parts cover such applications as commercial,industrial, and automotives areas.

We are looking forward to setting up business relationship with you and hope to provide you with the best service and solution. Let us make a better world for our industry!



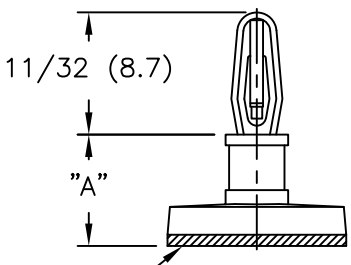
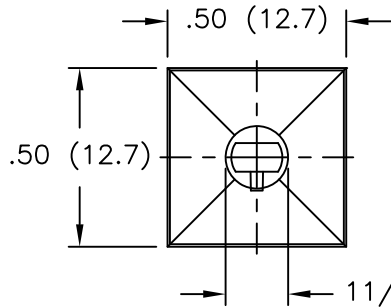
## Contact us

Tel: +86-755-8981 8866 Fax: +86-755-8427 6832

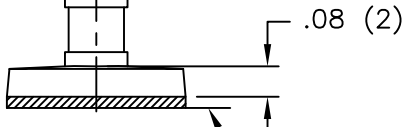
Email & Skype: [info@chipsmall.com](mailto:info@chipsmall.com) Web: [www.chipsmall.com](http://www.chipsmall.com)

Address: A1208, Overseas Decoration Building, #122 Zhenhua RD., Futian, Shenzhen, China

PART NO.	"A"±.015 (±0.4)
LCBSBM-3-01A-RT	3/16 (4.8)
LCBSBM-4-01A-RT	1/4 (6.4)
LCBSBM-5-01A-RT	5/16 (7.9)
LCBSBM-6-01A-RT	3/8 (9.5)
LCBSBM-7-01A-RT	7/16 (11.1)
LCBSBM-8-01A-RT	1/2 (12.7)
LCBSBM-9-01A-RT	9/16 (14.3)
LCBSBM-10-01A	5/8 (15.9)



TO SNAP-LOCK IN A .125±.002 (3.18±0.05) DIA. HOLE, IN A .062 (1.57) THICK BOARD



1/32 (0.8) THICK, DOUBLE SIDED ADHESIVE TAPE

TYPICAL RELEASE TAB LOCATION

NOTES:

- MATERIAL: NYLON 6/6 (RMS-01). FLAME RETARDANT NYLON (RMS-19), AVAILABLE BY SPECIAL ORDER ONLY.
  - COLOR: NATURAL.
  - ACRYLIC ADHESIVE TAPE (RMS-15), WHITE LINER. RUBBER ADHESIVE TAPE (RMS-102), BLUE LINER. AVAILABLE BY SPECIAL ORDER ONLY. TO ORDER REPLACE SUFFIX "A-RT" WITH "A1-RT" ON P/N.
- PART ALSO AVAILABLE WITHOUT TAPE BY SPECIAL ORDER. TO ORDER, REMOVE "A-RT" FROM P/N. FOR NEW DIM. "A" SUBSTRACT 1/32" (0.8)
- PART AVAILABLE WITH NON-LOCKING BAYONET NOSE BY SPECIAL ORDER. TO ORDER, USE PART NO. "CBSBM-X-XXX-XX"

G	SEE CO 200773 FOR CHANGES	SK 04.30.12
F	SEE CO 200705 FOR CHANGES	SK 09.07.11
E	ADDED NON-LOCKING TOP OPTION (NOTE 4), ECN #631	SM 05.20.03
D	ADDED RUBBER ADHESIVE BY SPECIAL ORDER (ECN #466)	SM 09.18.02
C	UPDATED PRINT AND CHANGED FILE NO	SM 04.30.01
B	MAT'L RMS-19 ADDED	J.L. 12.29.97
A	CONVERTED TO ACAD	P.B. 05.23.95
REV	DESCRIPTION	ENGR DATE

TITLE: LOCKING CKT. BD. SUPPORT ON BASE, MINI

DWG IN IN (MM)

TOLERANCES UNLESS NOTED .XX=±.010 .XXX=±.005 FRAC=±1/64 ANG=±1'	FILE # LCBSBM	DWN: P.B.	APP:	PART # SEE TABLE	PRINT TYPE CA
	MAT'L: SEE NOTES	DT: 05-23-95	DT:		
	RE: RICHCO, INC.	RICHCO INC. PO BOX 804238, CHICAGO, 60680 (773) 539-4060			