



Chipsmall Limited consists of a professional team with an average of over 10 year of expertise in the distribution of electronic components. Based in Hongkong, we have already established firm and mutual-benefit business relationships with customers from,Europe,America and south Asia,supplying obsolete and hard-to-find components to meet their specific needs.

With the principle of “Quality Parts,Customers Priority,Honest Operation,and Considerate Service”,our business mainly focus on the distribution of electronic components. Line cards we deal with include Microchip,ALPS,ROHM,Xilinx,Pulse,ON,Everlight and Freescale. Main products comprise IC,Modules,Potentiometer,IC Socket,Relay,Connector.Our parts cover such applications as commercial,industrial, and automotives areas.

We are looking forward to setting up business relationship with you and hope to provide you with the best service and solution. Let us make a better world for our industry!



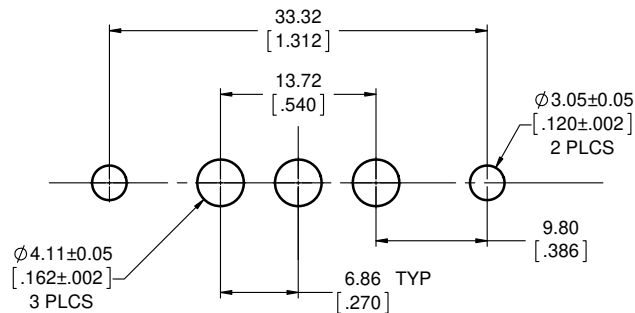
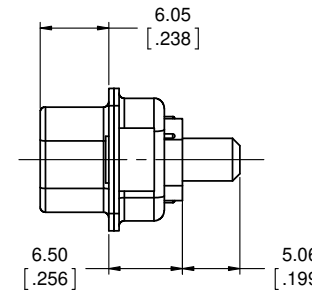
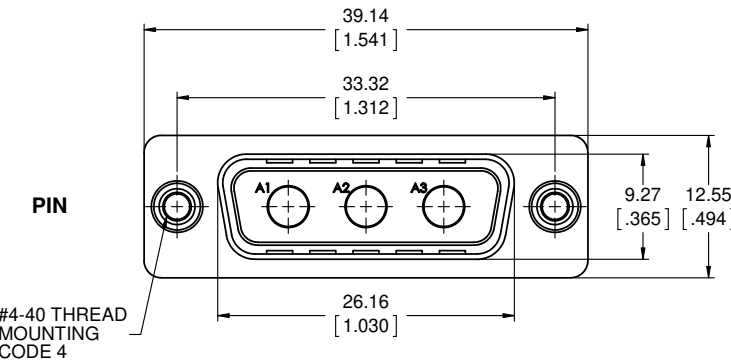
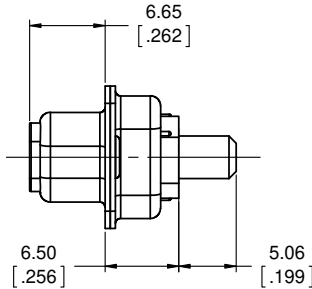
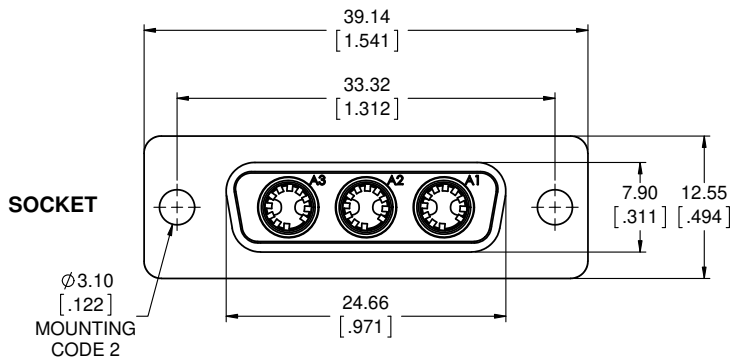
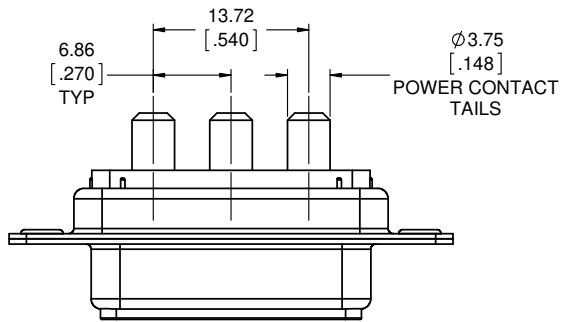
## Contact us

Tel: +86-755-8981 8866 Fax: +86-755-8427 6832

Email & Skype: info@chipsmall.com Web: www.chipsmall.com

Address: A1208, Overseas Decoration Building, #122 Zhenhua RD., Futian, Shenzhen, China





SEE SHEET 2 FOR ADDITIONAL MOUNTING OPTIONS

LOCATE HOLES  
 $\varnothing \pm 0.13 [0.005]$   
 POSITION DIMENSIONS ARE BASIC

REVISIONS			
REV	DESCRIPTION, ECN, EAR NO.	DATE	APP'D
A	PROPOSAL DRAWING	NOV18/11	A.G
B	ADD UL FILE NO	JUL22/13	S.M.

**ORDERING CODE:**

**LCC17 - A3W3 P E - 2 N 0**

**SERIES**

LCC17 = HIGH CURRENT D-SUB

**ARRANGEMENT**

A = SHELL SIZE  
 3W3 = 3 POSITION, 3 POWER

**CONNECTOR STYLE**

P = PIN  
 S = SOCKET

**TERMINATION**

E = VERTICAL MOUNT PCB TAIL  
 3.75mm [.148"] DIA;

**MOUNTING**

A = #4-40 THREADED STANDOFF WITH BOARDLOCK  
 2 = 3.10mm [.122] DIA THROUGH HOLE  
 4 = #4-40 UNC THREAD

**FILTER CAPACITANCE**

N = NO FILTERS

**MODIFIER**

0 = STANDARD

**NOTES:**

- MATERIALS: ALL MATERIALS ARE RoHS COMPLIANT PER EU DIRECTIVE 2011/65/EU AND AMENDMENTS.
  - SHELLS: STAMPED STEEL, TIN OVER NICKEL PLATED
  - INSULATOR: ENGINEERING THERMOPLASTIC, GLASS REINFORCED, HIGH TEMPERATURE RESISTANT, UL FLAMMABILITY RATING 94V-0, BLACK
  - PIN CONTACTS: COPPER ALLOY PLATED WITH 0.76µm (30µ") GOLD OVER 1.27µm (50µ") NICKEL
  - SOCKET CONTACTS: BERYLLIUM COPPER MATING GRID, COPPER ALLOY BALANCE PLATED WITH 0.76µm (30µ") GOLD OVER 1.27µm (50µ") NICKEL ON THE MATING AREA
  - BOARDLOCK: COPPER ALLOY, TIN PLATED
  - MOUNTING HARDWARE: STEEL OR COPPER ALLOY, TIN OR NICKEL PLATED
- ELECTRICAL CHARACTERISTICS
  - CURRENT RATING: 55 A PER CONTACT
  - CONTACT RESISTANCE: 0.25 MILLIOHMS MAX
  - DIELECTRIC WITHSTANDING VOLTAGE: 1500V DC
  - OPERATING TEMPERATURE: -40 °C TO +105 °C
- UL FILE NUMBER E64911

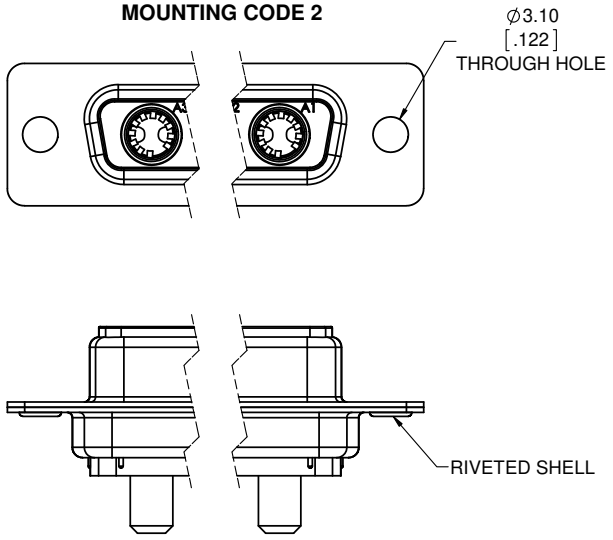
UNLESS SPECIFIED OTHERWISE	DRAWN	S.CAELERS	NOV16/11
PRIMARY UNITS MILLIMETERS	CHECKED		
SECONDARY INCHES	M.E. APP'D		
REFERENCE IN PARENTHESES	Q.A. APP'D		
GENERAL TOLERANCES	DWG APPR.	A.GREEN	NOV18/11
1 DECIMAL PLACE	ENG. REL. NO.		
2 DECIMAL PLACES	REF.		
3 DECIMAL PLACES	THIRD ANGLE PROJECTION		
ANGULAR DEGREES	DO NOT SCALE DRAWING		

**Amphenol Canada Corp.**  
 www.amphenolcanada.com  
 LCC17 COOLPOWER D-SUB CONNECTOR, 3W3 ARRANGEMENT, Ø3.75mm [.148"] VERTICAL PCB TAIL, RoHS COMPLIANT

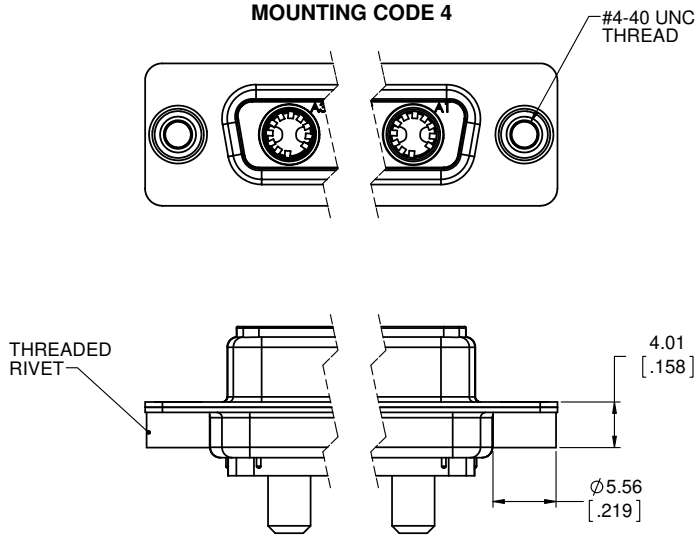
DWG. NO.	REV
P-LCC17-A3W3XE-XN0	B
CODE ID NO. 03554	DWG SIZE: X
SCALE: 3:1	SHEET 1 OF 2

REVISIONS			
REV	DESCRIPTION, ECN, EAR NO.	DATE	APP'D
A	PROPOSAL DRAWING	NOV18/11	A.G
B	ADD UL FILE NO	JUL22/13	S.M.

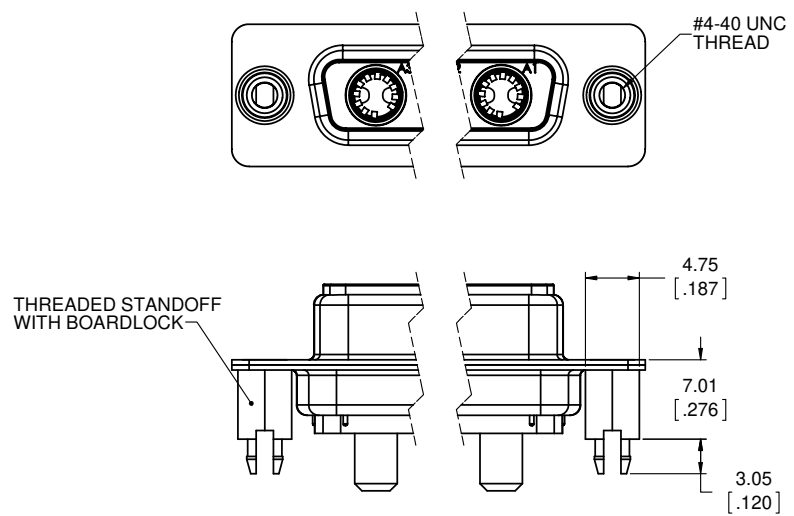
**MOUNTING CODE 2**



**MOUNTING CODE 4**



**MOUNTING CODE A**



**MOUNTING OPTIONS AVAILABLE FOR  
PIN OR SOCKET CONNECTOR**



UNLESS SPECIFIED OTHERWISE	DRAWN	S.CAELERS	NOV16/11
PRIMARY UNITS MILLIMETERS	CHECKED		
SECONDARY INCHES	M.E. APP'D		
REFERENCE IN PARENTHESES	Q.A. APP'D		
GENERAL TOLERANCES	DWG APPR.	A.GREEN	NOV18/11
1 DECIMAL PLACE	ENG. REL. NO.		
2 DECIMAL PLACES	REF.		
3 DECIMAL PLACES	THIRD ANGLE PROJECTION		
ANGULAR DEGREES	DO NOT SCALE DRAWING		

**Amphenol Canada Corp.**  
www.amphenolcanada.com

LCC17 COOLPOWER D-SUB  
CONNECTOR, 3W3 ARRANGEMENT,  
Ø3.75mm [.148"] VERTICAL PCB TAIL,  
RoHS COMPLIANT

DWG. NO. **P-LCC17-A3W3XE-XN0** REV **B**

CODE ID NO. 03554 DWG SIZE: X SCALE: 3:1 SHEET 2 OF 2