



Chipsmall Limited consists of a professional team with an average of over 10 year of expertise in the distribution of electronic components. Based in Hongkong, we have already established firm and mutual-benefit business relationships with customers from,Europe,America and south Asia,supplying obsolete and hard-to-find components to meet their specific needs.

With the principle of "Quality Parts,Customers Priority,Honest Operation,and Considerate Service",our business mainly focus on the distribution of electronic components. Line cards we deal with include Microchip,ALPS,ROHM,Xilinx,Pulse,ON,Everlight and Freescale. Main products comprise IC,Modules,Potentiometer,IC Socket,Relay,Connector.Our parts cover such applications as commercial,industrial, and automotives areas.

We are looking forward to setting up business relationship with you and hope to provide you with the best service and solution. Let us make a better world for our industry!



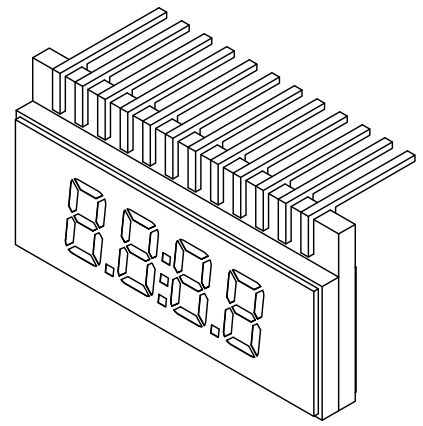
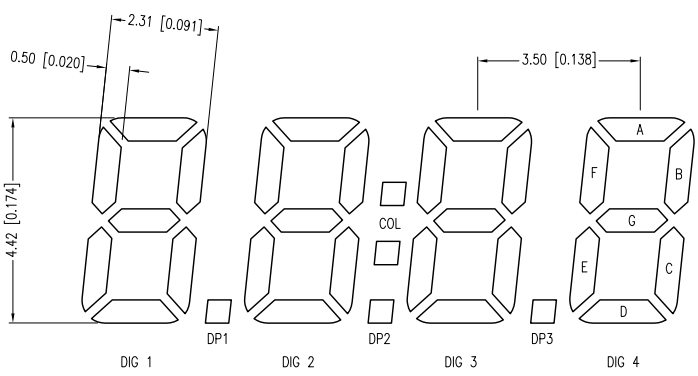
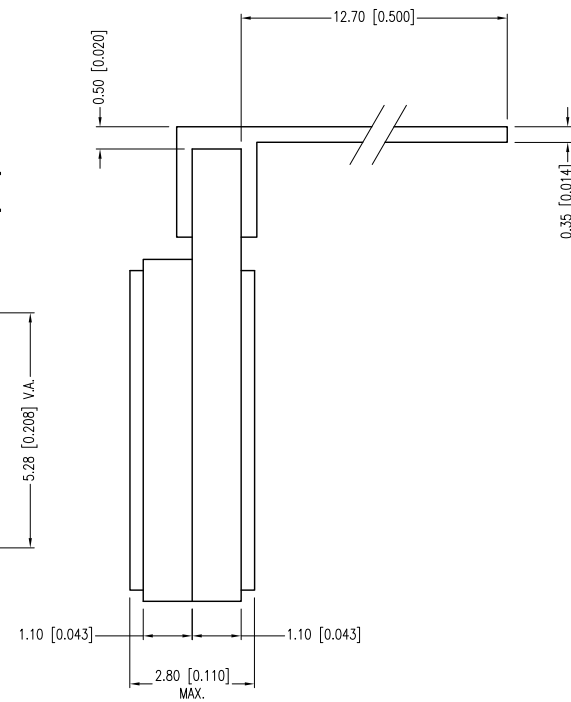
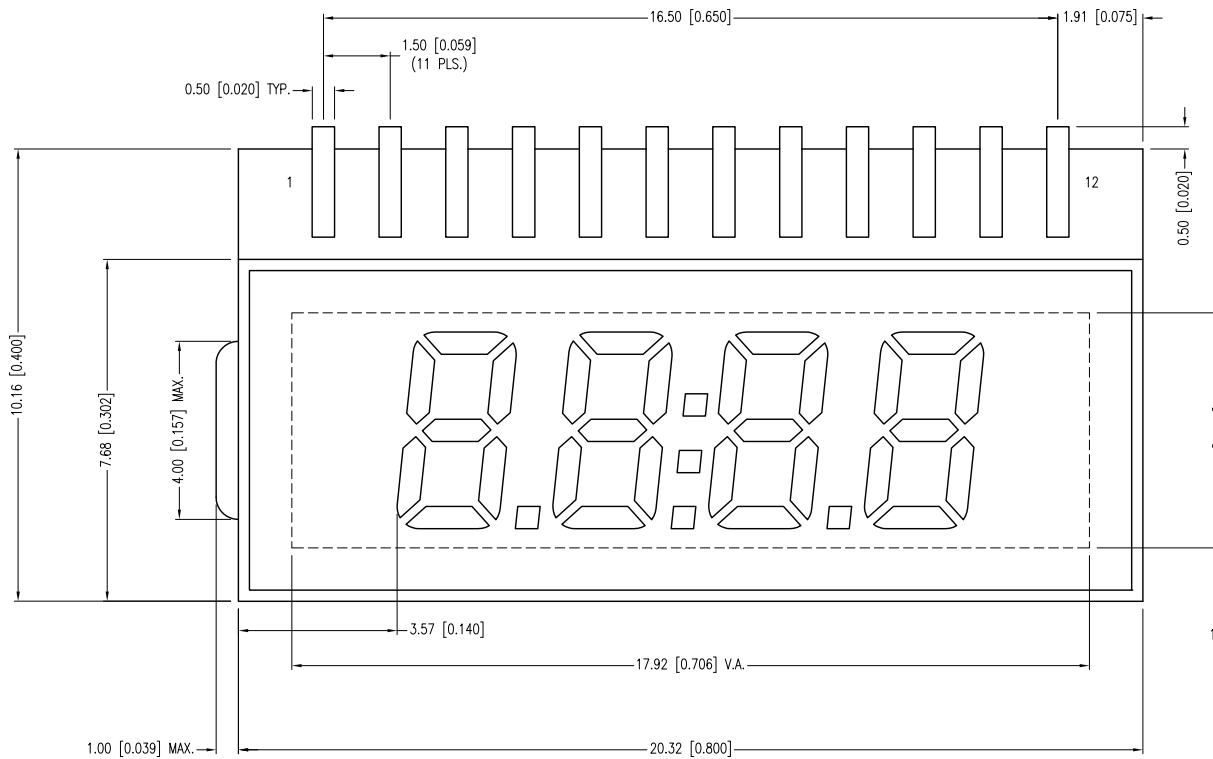
Contact us

Tel: +86-755-8981 8866 Fax: +86-755-8427 6832

Email & Skype: info@chipsmall.com Web: www.chipsmall.com

Address: A1208, Overseas Decoration Building, #122 Zhenhua RD., Futian, Shenzhen, China





LCD CHARACTERISTICS	
FLUID TYPE	TN
BACKGROUND COLOR	GRAY
VIEWING DIRECTION	6:00
DISPLAY MODE	REFLECTIVE
OPERATING VOLTAGE	3.0V AC
OPERATING TEMPERATURE	0°C TO 50°C
STORAGE TEMPERATURE	0°C TO 50°C
DRIVING METHOD	1/4 DUTY, 1/3 BIAS
CONNECTION TYPE	12 PINS

PIN	1	2	3	4	5	6	7	8	9	10	11	12
COM0	COM0	/	/	/	1D	DP1	2D	DP2	3D	DP3	4D	COL
COM1	/	COM1	/	/	1E	1C	2E	2C	3E	3C	4E	4C
COM2	/	/	COM2	/	1G	1B	2G	2B	3G	3B	4G	4B
COM3	/	/	/	COM3	1F	1A	2F	2A	3F	3A	4F	4A

*UNLESS OTHERWISE SPECIFIED TOLERANCES PER DECIMAL PRECISION ARE: X=±1 (±0.039), X.X=±0.5 (±0.020), X.XX=±0.25 (±0.010), X.XXX=±0.127 (±0.005). LEAD SIZE=±0.05 (±0.002), LEAD LENGTH=±0.75 (±0.030). MIN.= +DECIMAL PRECISION MAX.= +0.00 -DECIMAL PRECISION



290 E. HELEN ROAD
PALATINE, IL 60067-6976
PHONE: +1.847.359.2790
FAX: +1.847.359.6538
WEB: WWW.LUMEX.COM

4 DIGIT 0.17" 7 SEGMENT, CUSTOM LCD PANEL, TN, REFLECTIVE, 0°C~50°C, 6:00 VIEW, 3V AC.

THE SPECIFICATIONS MAY CHANGE AT ANY TIME WITHOUT NOTICE DUE TO NEW MATERIALS OR PRODUCT IMPROVEMENT.

CONFIDENTIAL INFORMATION
THE INFORMATION CONTAINED IN THIS DOCUMENT IS THE PROPERTY OF LUMEX INC. EXCEPT AS SPECIFICALLY AUTHORIZED IN WRITING BY LUMEX INC., THE HOLDER OF THIS DOCUMENT SHALL KEEP ALL INFORMATION CONTAINED HEREIN CONFIDENTIAL AND SHALL PROTECT SAME IN WHOLE OR IN PART FROM DISCLOSURE AND DISSEMINATION TO ALL THIRD PARTIES.

DATE:	06.13.11	DRAWN BY:	AB
PAGE:	1 OF 1	CHKD BY:	YA
SCALE:	NTS	APRVD BY:	YA
UNIT:	mm [INCH]		Ⓟ