



Chipsmall Limited consists of a professional team with an average of over 10 year of expertise in the distribution of electronic components. Based in Hongkong, we have already established firm and mutual-benefit business relationships with customers from,Europe,America and south Asia,supplying obsolete and hard-to-find components to meet their specific needs.

With the principle of “Quality Parts,Customers Priority,Honest Operation,and Considerate Service”,our business mainly focus on the distribution of electronic components. Line cards we deal with include Microchip,ALPS,ROHM,Xilinx,Pulse,ON,Everlight and Freescale. Main products comprise IC,Modules,Potentiometer,IC Socket,Relay,Connector.Our parts cover such applications as commercial,industrial, and automotives areas.

We are looking forward to setting up business relationship with you and hope to provide you with the best service and solution. Let us make a better world for our industry!



Contact us

Tel: +86-755-8981 8866 Fax: +86-755-8427 6832

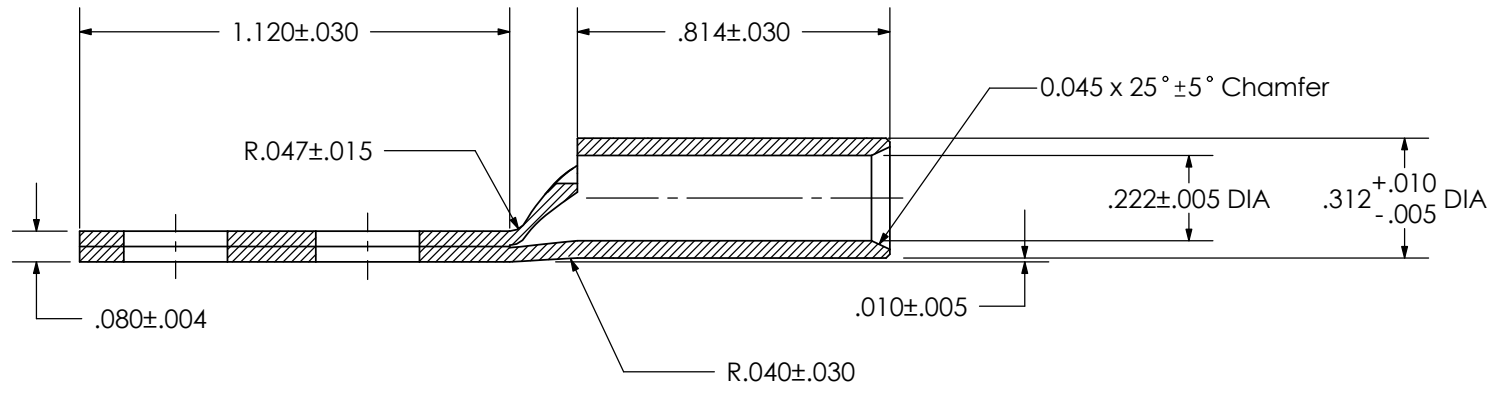
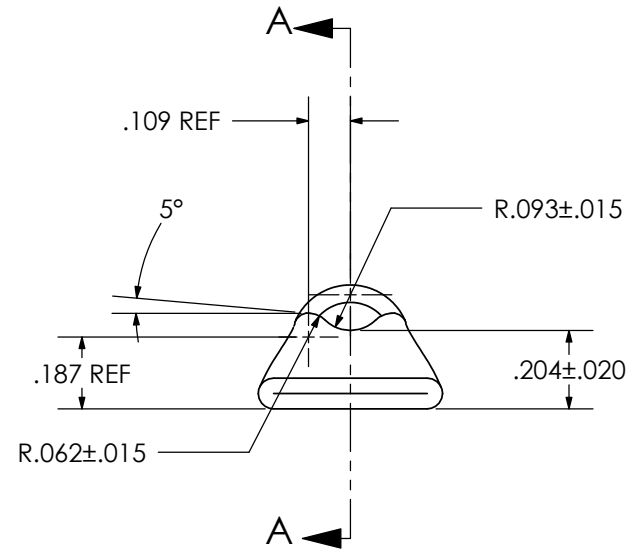
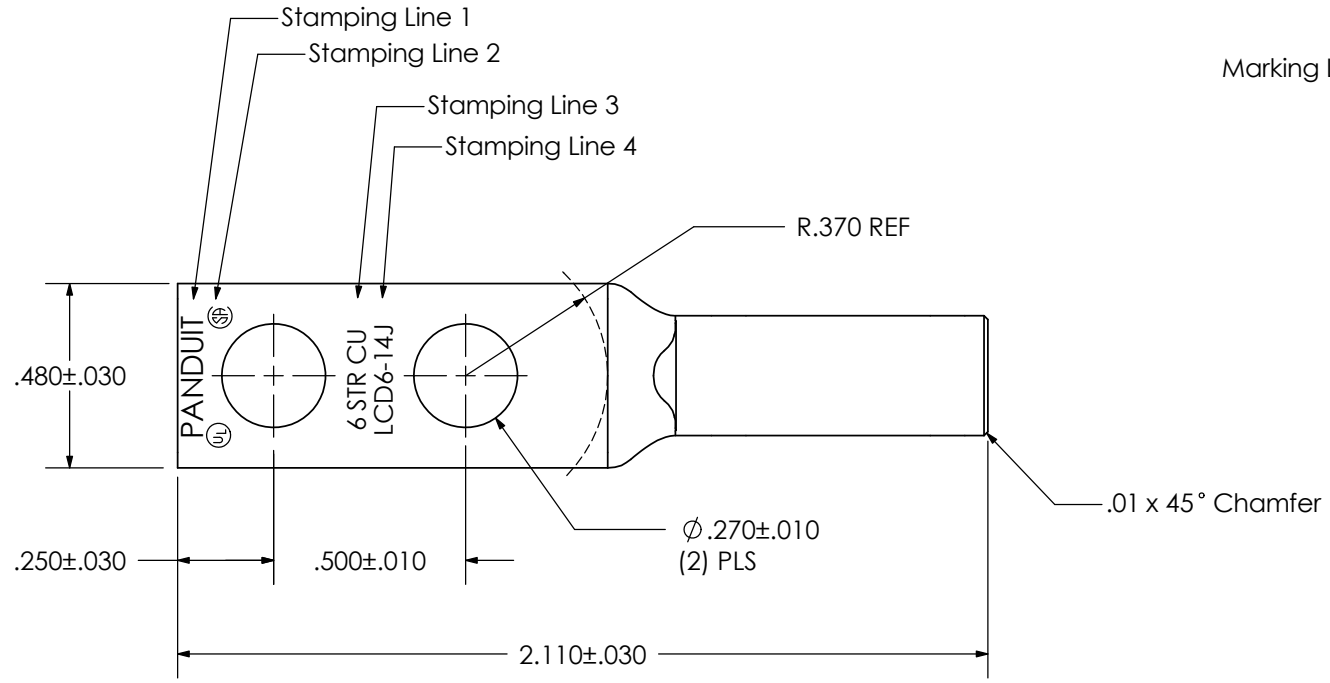
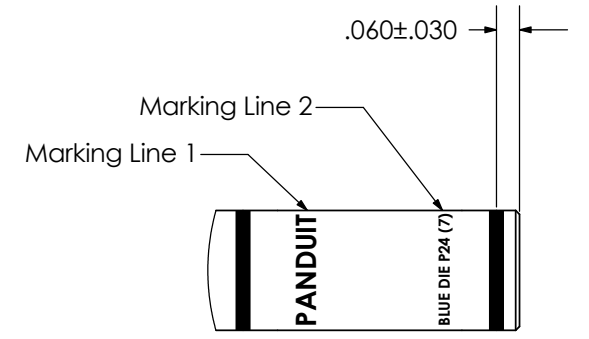
Email & Skype: info@chipsmall.com Web: www.chipsmall.com

Address: A1208, Overseas Decoration Building, #122 Zhenhua RD., Futian, Shenzhen, China



Notes:

1. Material: Copper tubing PCC022, per Panduit Material Specification T-MS-6.
2. Plating: Electro tin plate 200 micro inches minimum over all internal and external surfaces.
3. Parts to be free from burrs, .015 max, excessive scratches and indentations.
4. Ink mark barrel per Panduit drawing N01124FY .
5. Barrel marking shall be located so that the "PANDUIT" is located atop the barrel O.D. as shown in the Markings Location Detail.



SECTION A-A
SCALE 2:1

Part Weight: 0.0221 lb
 Mat'l Allocation Weight: 0.0318 lb
 Plating Area: 2.8901 sq. in.
 Pounds per Tote: 15.5
 Plating Half Barrel Quantity: 700
 Box Quantity: 50
 Box: PBX433
 Label: TT33GBWA
 Stuffer: T-PMPI-63-PC
 Cut Length: 2.600+/-0.004

PANDUIT CORP. TINLEY PARK, ILLINOIS										
LCD6-14J-L Product Control Drawing										
							UNLESS OTHERWISE SPECIFIED DIMENSIONAL TOLERANCES ARE:		UNLESS OTHERWISE SPECIFIED, ALL DIMENSIONS ARE GIVEN IN INCHES, THIRD ANGLE PROJECTION	
							(.X) ±		(.XXX) ±	
							(.XX) ±		ANGLES ±	
							DRAWN BY DRL	MAT'L:	SCALE 2:1	
							DATE 4/22/02	SEE NOTE 1 ABOVE	DRAWING NO / CAD FILE LCD6-14J-PCD	DWG B SIZE
01	9/07	JHNU	JHNU	REMOVED NAVY NUMBER FROM STAMP	ECN	CUST	QA	APP	CHK'D	
REV	DATE	BY	CHK	DESCRIPTION	ECN	CUST	QA	APP	CHK'D	