



Chipsmall Limited consists of a professional team with an average of over 10 year of expertise in the distribution of electronic components. Based in Hongkong, we have already established firm and mutual-benefit business relationships with customers from,Europe,America and south Asia,supplying obsolete and hard-to-find components to meet their specific needs.

With the principle of "Quality Parts,Customers Priority,Honest Operation,and Considerate Service",our business mainly focus on the distribution of electronic components. Line cards we deal with include Microchip,ALPS,ROHM,Xilinx,Pulse,ON,Everlight and Freescale. Main products comprise IC,Modules,Potentiometer,IC Socket,Relay,Connector.Our parts cover such applications as commercial,industrial, and automotives areas.

We are looking forward to setting up business relationship with you and hope to provide you with the best service and solution. Let us make a better world for our industry!



## Contact us

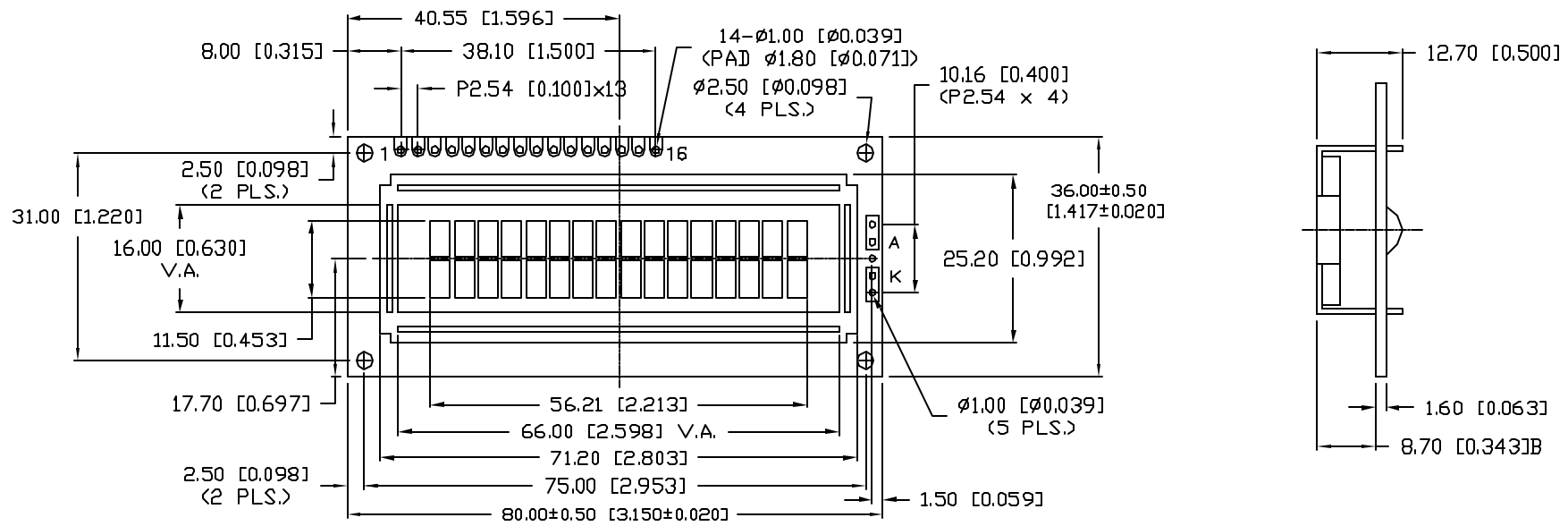
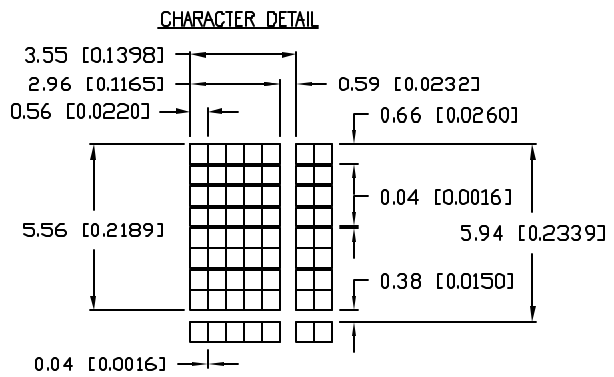
Tel: +86-755-8981 8866 Fax: +86-755-8427 6832

Email & Skype: info@chipsmall.com Web: www.chipsmall.com

Address: A1208, Overseas Decoration Building, #122 Zhenhua RD., Futian, Shenzhen, China



CAUTION: STATIC SENSITIVE DEVICE  
FOLLOW PROPER E.S.D. HANDLING PROCEDURES  
WHEN WORKING WITH THIS PART.



\*UNLESS OTHERWISE SPECIFIED TOLERANCES PER DECIMAL PRECISION ARE: X=±1 (±0.039), XX=±0.5 (±0.020), XXX=±0.25 (±0.010), XXXX=±0.127 (±0.005). LEAD SIZE=±0.05 (±0.002), LEAD LENGTH=±0.75 (±0.030). MIN= +DECIMAL PRECISION -0.00 MAX.= +0.00 -DECIMAL PRECISION

REV.	PART NUMBER
	LCM-S01602DSF/A

**CONFIDENTIAL INFORMATION**  
THE INFORMATION CONTAINED IN THIS DOCUMENT IS THE PROPERTY OF LUMEX INC. EXCEPT AS SPECIFICALLY AUTHORIZED IN WRITING BY LUMEX INC., THE HOLDER OF THIS DOCUMENT SHALL KEEP ALL INFORMATION CONTAINED HEREIN CONFIDENTIAL AND SHALL PROTECT SAME IN WHOLE OR IN PART FROM DISCLOSURE AND DISSEMINATION TO ALL THIRD PARTIES.

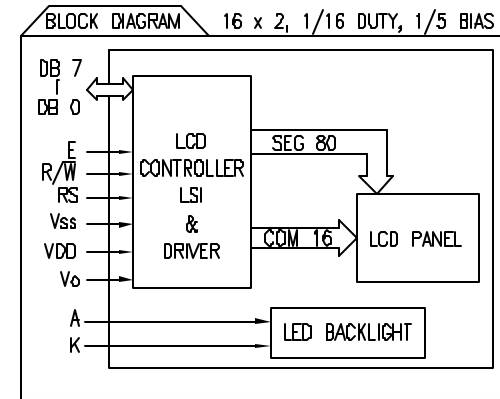
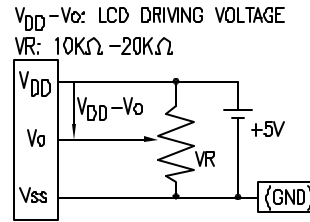
**RELIABILITY NOTE**  
OUR MANY YEARS OF EXPERIENCE DATA ACCUMULATION INDICATE THAT SOLDER HEAT IS A MAJOR CAUSE OF EARLY AND FUTURE FAILURE. PLEASE PAY ATTENTION TO YOUR SOLDERING PROCESS.

290 E. HELEN ROAD  
PALATINE, IL 60067-6976  
PHONE: +1.847.359.2790  
US WEB: www.lumex.com  
TW WEB: www.lumex.com.tw

5.56mm CHARACTER HEIGHT, 5 x 8 DOT MATRIX,  
STN, TRANSFLECTIVE WITH LED BACKLIGHT,  
16 x 2 LCD MODULE, 1/16 DUTY, 1/5 BIAS.

DRAWN BY: CT	CHECKED BY:	APPROVED BY:	DATE: 1.22.02
			PAGE: 1 OF 2
			SCALE: N/A

PIN CONFIGURATION				
PIN NO.	SYMBOL	LEVEL	FUNCTION	
1	V <sub>SS</sub>	-	POWER SUPPLY	
2	V <sub>DD</sub>	-		GND (0V)
3	V <sub>O</sub>	-		5V FOR LCD DRIVE
4	RS	H/L	REGISTER SELECT SIGNAL H: DATA INPUT L: INSTRUCTION INPUT	
5	R/W	H/L	H: DATA READ (MODULE-->MPU) L: DATA WRITE (MODULE<--MPU)	
6	E	H,H->L	ENABLE	
7~14	DB0~DB7	H/L	DATA BUS--SOFTWARE SELECTABLE 4 OR 8 BIT MODE.	
15	A	-	ANODE	
16	K	-	CATHODE	



ELECTRICAL CHARACTERISTICS		V <sub>DD</sub> =4.7V to 5.3V, T <sub>A</sub> =25°C				
ITEM	SYMBOL	CONDITION	STANDARD VALUE			UNIT
			MIN.	TYP.	MAX.	
SUPPLY VOLTAGE FOR LOGIC	V <sub>DD</sub> -V <sub>SS</sub>	-	-	5.0	-	V
SUPPLY CURRENT FOR LOGIC	I <sub>DD</sub>	V <sub>DD</sub> =5V	-	2.0	3.0	mA
INPUT VOLTAGE	HIGH	V <sub>IH</sub>	-	2.2	-	V <sub>DD</sub> V
	LOW	V <sub>IL</sub>	-	0	-	0.6 V
OUTPUT VOLTAGE	HIGH	V <sub>OH</sub>	-	2.4	-	V
	LOW	V <sub>OL</sub>	-	-	-	0.4 V
*LED BACKLIGHT	VOLTAGE	V <sub>f</sub>	I <sub>f</sub> =160mA	-	4.2	4.6 V
	CURRENT	I <sub>f</sub>	-	-	160	- mA
	POWER CONSUMPTION	PD	-	-	656	- mW
	LUMINOUS	L	I <sub>f</sub> =160mA	70	-	- cd/m <sup>2</sup>
	COLOR	-	-	-	-	-

\*ONLY APPLIES TO MODULES WITH BACKLIGHT

ABSOLUTE MAXIMUM RATINGS					
ITEM	SYMBOL	TEST CONDITION	STANDARD VALUE		UNIT
			MIN	MAX	
SUPPLY VOLTAGE FOR LOGIC	V <sub>DD</sub> -V <sub>SS</sub>	T <sub>a</sub> =25°C	4.7	5.3	V
SUPPLY VOLTAGE FOR LCD DRIVE	V <sub>DD</sub> -V <sub>O</sub>	-	4.2@50°C	4.8@0°C	V
INPUT VOLTAGE	V <sub>I</sub>	T <sub>a</sub> =25°C	V <sub>SS</sub>	V <sub>DD</sub>	V
OPERATING TEMPERATURE	T <sub>opr</sub>	LCM-S	0	50	°C
STORAGE TEMPERATURE	T <sub>stg</sub>	LCM-S	-20	70	°C

\*UNLESS OTHERWISE SPECIFIED TOLERANCES PER DECIMAL PRECISION ARE: X=±1 (±0.039), XX=±0.5 (±0.020), XXX=±0.25 (±0.010), XXXX=±0.127 (±0.005). LEAD SIZE=±0.05 (±0.002), LEAD LENGTH=±0.75 (±0.030). MIN.= +DECIMAL PRECISION -0.00 MAX.= +0.00 -DECIMAL PRECISION

REV.	PART NUMBER
	LCM-S01602DSF/A
5.56mm CHARACTER HEIGHT, 5 x 8 DOT MATRIX, STN, TRANSFLECTIVE WITH LED BACKLIGHT, 16 x 2 LCD MODULE, 1/16 DUTY, 1/5 BIAS.	

**CONFIDENTIAL INFORMATION**  
THE INFORMATION CONTAINED IN THIS DOCUMENT IS THE PROPERTY OF LUMEX INC. EXCEPT AS SPECIFICALLY AUTHORIZED IN WRITING BY LUMEX INC., THE HOLDER OF THIS DOCUMENT SHALL KEEP ALL INFORMATION CONTAINED HEREIN CONFIDENTIAL AND SHALL PROTECT SAME IN WHOLE OR IN PART FROM DISCLOSURE AND DISSEMINATION TO ALL THIRD PARTIES.

**RELIABILITY NOTE**  
OUR MANY YEARS OF EXPERIENCE, DATA ACCUMULATION INDICATE THAT SOLDER HEAT IS A MAJOR CAUSE OF EARLY AND FUTURE FAILURE. PLEASE PAY ATTENTION TO YOUR SOLDERING PROCESS.

290 E. HELEN ROAD  
PALATINE, IL 60067-6976  
PHONE: +1.847.359.2790  
US WEB: www.lumex.com  
TW WEB: www.lumex.com.tw

DRAWN BY:	CHECKED BY:	APPROVED BY:	DATE: 1.22.02
ct			PAGE: 2 OF 2
			SCALE: N/A