



Chipsmall Limited consists of a professional team with an average of over 10 year of expertise in the distribution of electronic components. Based in Hongkong, we have already established firm and mutual-benefit business relationships with customers from,Europe,America and south Asia,supplying obsolete and hard-to-find components to meet their specific needs.

With the principle of “Quality Parts,Customers Priority,Honest Operation,and Considerate Service”,our business mainly focus on the distribution of electronic components. Line cards we deal with include Microchip,ALPS,ROHM,Xilinx,Pulse,ON,Everlight and Freescale. Main products comprise IC,Modules,Potentiometer,IC Socket,Relay,Connector.Our parts cover such applications as commercial,industrial, and automotives areas.

We are looking forward to setting up business relationship with you and hope to provide you with the best service and solution. Let us make a better world for our industry!



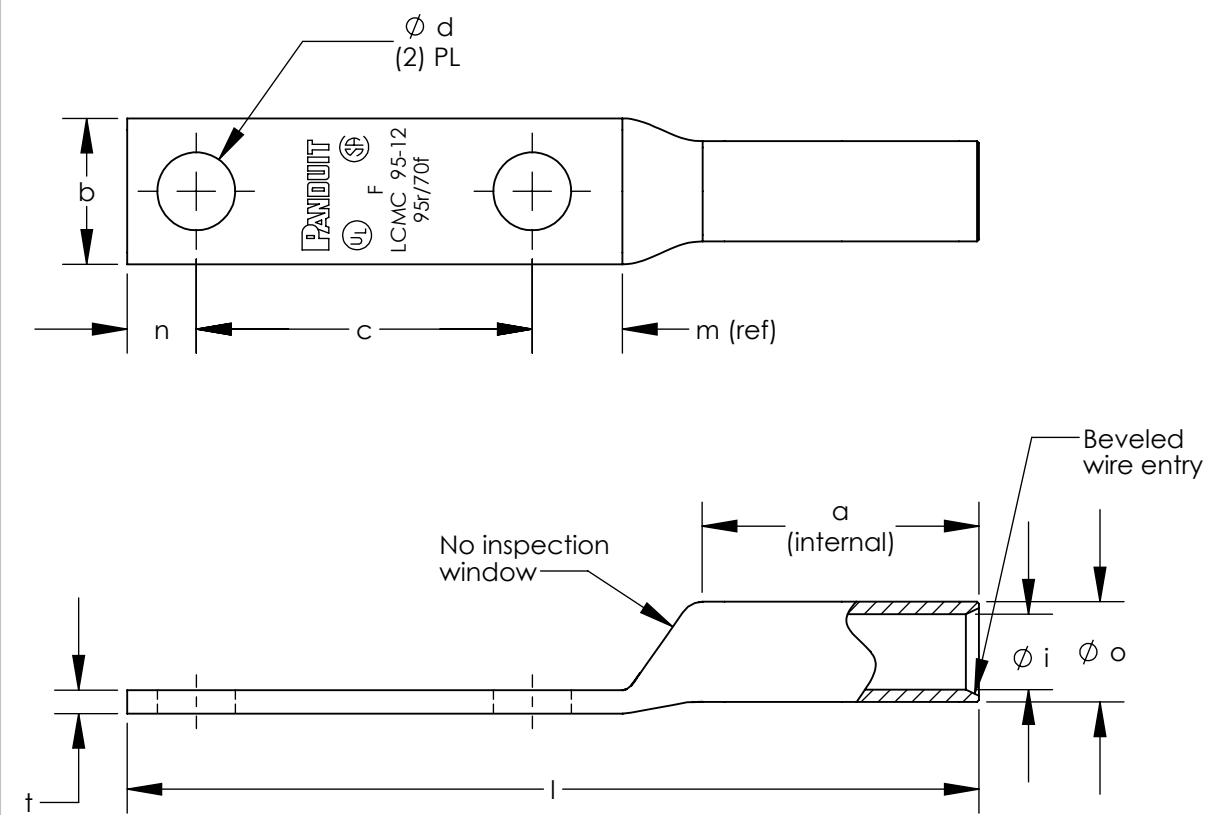
Contact us

Tel: +86-755-8981 8866 Fax: +86-755-8427 6832

Email & Skype: info@chipsmall.com Web: www.chipsmall.com

Address: A1208, Overseas Decoration Building, #122 Zhenhua RD., Futian, Shenzhen, China





ALL DIMENSIONS ARE IN mm

Part Number	Class 2r Wire Size	Class 5f & 6f Wire Size	Stud Size	WIRE STRIP LENGTH	Panduit Die Index No. For Class 2r Wire Circumferential Dies	Panduit Die Index No. For Class 5f & 6f Wire Circumferential Dies	Panduit Die Index No. For Class 5f & 6f Wire Nest/Indenter Dies	l ±2.76	o ±5.0	i ±5.0	a ±2.25	m (ref)	c ±5.0	n ±2.25	d ±5.0	b ±2.25	t
LCMC 10-8-L	10 mm ²	-----	M 8	25.6	P 21	-----	-----	87.8	6.80	4.50	24.0	8.5	44.50	8.0	9.00	13.0	1.60±.35
LCMC 16-8-L	16 mm ²	10 mm ²	M 8	28.8	P 21	P 21	-----	91.7	7.60	5.50	27.2	10.3	44.50	6.5	9.00	13.0	1.50±.40
LCMC 25-8-L	25 mm ²	16 mm ²	M 8	28.3	P 29	P 21	-----	93.2	8.80	6.90	26.7	10.0	44.50	8.0	9.00	15.5	1.60±.40
LCMC 25-10-L	25 mm ²	16 mm ²	M 10	28.3	P 29	P 21	-----	93.2	8.80	6.90	26.7	10.0	44.50	8.0	11.00	15.5	1.50±.40
LCMC 25-12-L	25 mm ²	16 mm ²	M 12	28.3	P 29	P 21	-----	101.2	10.40	7.14	26.7	14.5	44.50	11.5	14.00	20.0	2.30±.40
LCMC 35-10-Q	35 mm ²	25 mm ²	M 10	34.4	P 29	P 29	-----	101.8	10.40	8.20	32.8	12.3	44.50	8.5	11.00	15.5	2.05±.40
LCMC 35-12-Q	35 mm ²	25 mm ²	M 12	34.4	P 29	P 29	-----	107.8	11.00	8.20	32.8	14.5	44.50	11.5	14.00	21.5	2.00±.40
LCMC 50-10-E	50 mm ²	35 mm ²	M 10	38.2	P 37	P 33	-----	107.3	12.30	9.80	36.6	11.5	44.50	10.0	11.00	18.0	2.50±.40
LCMC 50-12-E	50 mm ²	35 mm ²	M 12	38.2	P 37	P 33	-----	110.8	12.30	9.80	36.6	14.0	44.50	11.0	14.00	23.0	1.80±.40
LCMC 70-10-X	70 mm ²	50 mm ²	M 10	39.6	P 45	P 37	-----	112.7	14.20	11.50	38.0	14.5	44.50	11.5	11.00	20.8	2.85±.40
LCMC 70-12-X	70 mm ²	50 mm ²	M 12	39.6	P 45	P 37	-----	112.7	14.20	11.50	38.0	14.5	44.50	11.5	14.00	20.8	2.80±.40
LCMC 95-12-X	95 mm ²	70 mm ²	M 12	44.6	P 54	P 45	P 62/4	123.5	16.50	13.50	43.0	15.0	44.50	13.5	14.00	24.5	3.00±.40
LCMC 95-14-X	95 mm ²	70 mm ²	M 14	44.6	P 54	P 45	P 62/4	123.5	16.50	13.50	43.0	15.0	44.50	13.5	16.00	24.5	3.00±.40
LCMC 120-12-X	120 mm ²	95 mm ²	M 12	41.3	P 62	P 50	P 76/4	124.7	18.60	15.20	39.7	15.5	44.50	14.5	14.00	27.5	3.50±.45
LCMC 120-14-X	120 mm ²	95 mm ²	M 14	41.3	P 62	P 50	P 76/4	124.7	18.60	15.20	39.7	15.5	44.50	14.5	16.00	27.5	3.40±.45
LCMC 150-12-X	150 mm ²	120 mm ²	M 12	58.6	P 66	-----	P 76/4	144.5	21.00	16.50	57.0	18.0	44.50	16.5	14.00	30.5	4.45±.45
LCMC 150-14-X	150 mm ²	120 mm ²	M 14	58.6	P 66	-----	P 76/4	148.0	21.00	16.50	57.0	22.0	44.50	16.5	16.00	30.5	4.30±.45
LCMC 185-12-X	185 mm ²	150 mm ²	M 12	57.9	P 76	-----	P 76/4	145.1	23.00	18.60	56.3	16.5	44.50	17.5	14.00	33.5	4.55±.50
LCMC 185-14-X	185 mm ²	150 mm ²	M 14	57.9	P 76	-----	P 76/4	149.6	23.00	18.60	56.3	21.0	44.50	17.5	16.00	33.5	4.40±.50
LCMC 240-12-6	240 mm ²	185 mm ²	M 12	65.1	P 87	-----	P 87/4	159.5	26.00	20.80	63.5	21.0	44.50	19.5	14.00	37.5	5.30±.50
LCMC 240-14-6	240 mm ²	185 mm ²	M 14	65.1	P 87	-----	P 87/4	159.5	26.00	20.80	63.5	21.0	44.50	19.5	16.00	37.5	5.30±.50
LCMC 300-12-6	300 mm ²	240 mm ²	M 12	70.0	P 94	-----	P 106/6	167.1	29.00	23.50	68.4	22.0	44.50	20.0	14.00	42.5	5.40±.55
LCMC 300-14-6	300 mm ²	240 mm ²	M 14	70.0	P 94	-----	P 106/6	167.1	29.00	23.50	68.4	22.0	44.50	20.0	16.00	42.5	5.40±.55
LCMC X300-12-6	-----	300 mm ²	M 12	74.6	-----	-----	P 32/6	179.7	33.00	26.20	73.0	26.5	44.50	23.5	14.00	48.0	6.70±.55
LCMC X300-14-6	-----	300 mm ²	M 14	74.6	-----	-----	P 32/6	179.7	33.00	26.20	73.0	26.5	44.50	23.5	16.00	48.0	6.70±.55
LCMC 400-12-6	400 mm ²	-----	M 12	66.8	P 106	-----	-----	171.9	34.50	27.00	65.2	26.5	44.50	23.5	14.00	49.5	7.50±.55
LCMC 400-14-6	400 mm ²	-----	M 14	66.8	P 106	-----	-----	171.9	34.50	27.00	65.2	26.5	44.50	23.5	16.00	49.5	7.50±.55
LCMC 400-16-6	400 mm ²	-----	M 16	66.8	P 106	-----	-----	171.9	34.50	27.00	65.2	26.5	44.50	23.5	18.00	49.5	7.50±.55
LCMC 500-12-3	500 mm ²	-----	M 12	77.8	P 125	-----	-----	194.2	40.00	31.00	76.2	28.5	44.50	25.5	14.00	57.5	8.90±.55
LCMC 500-14-3	500 mm ²	-----	M 14	77.8	P 125	-----	-----	194.2	40.00	31.00	76.2	28.5	44.50	25.5	16.00	57.5	8.90±.55
LCMC 500-16-3	500 mm ²	-----	M 16	77.8	P 125	-----	-----	194.2	40.00	31.00	76.2	28.5	44.50	25.5	18.00	57.5	8.90±.55
LCMC 630-12-3	630 mm ²	-----	M 12	85.9	P 125	-----	-----	203.6	44.00	34.50	84.3	28.5	44.50	27.5	14.00	63.0	9.40±.65
LCMC 630-14-3	630 mm ²	-----	M 14	85.9	P 125	-----	-----	203.6	44.00	34.50	84.3	28.5	44.50	27.5	16.00	63.0	9.40±.65
LCMC 630-16-3	630 mm ²	-----	M 16	85.9	P 125	-----	-----	203.6	44.00	34.50	84.3	28.5	44.50	27.5	18.00	63.0	9.40±.65

- NOTES:
1. Material: High conductivity seamless copper tube.
 2. Plating: Parts are annealed and tin plated.
 3. Wire Type: Class 2r/5f & 6f Stranded Copper per DIN VDE 0295, IEC 60228 and HD 383.
 4. UL Listed Wire Connector: Yes, for applications up to 35kv. Consult cable manufacturer for voltage stress relief instructions with applications greater than 2000 volts.
 5. UL Temperature Rating: 90° C
 6. C.S.A. Certified Wire Connector: Yes
 7. Parts are CE and tested per EN 61238-1:2003/IEC 61238-1:2003 Class B, with Class 2r wire 10mm² - 240mm².



						TITLE METRIC LUGS - LCMC TWO HOLE SERIES 10-630mm LONG BARREL CUSTOMER DRAWING			
						ITEM REVISION NAME 12J036BK/00			
						DATASET FILE NAME 12J036BK-JC/00.SLDDRW			
						UNLESS OTHERWISE SPECIFIED, DIMENSIONAL TOLERANCES ARE: IN [mm] .X ± .XXX ± .XX ± ANGLES ±			
						MATERIAL SEE NOTES			
00	7/13	JHNU	TLCO	RGB		DRAWING RELEASED		12J036BK-JC	
REV	DATE	BY	CHK	APR		DESCRIPTION		ECN	
						DRAWN BY JHNU			
						DATE 7/13			
						CHK TLCO			
						SCALE NONE			
						THIRD ANGLE PROJECTION			
						DRAWING NUMBER 12J036BK-JC			
						SHEET 1 OF 1			
						SIZE B			