



Chipsmall Limited consists of a professional team with an average of over 10 year of expertise in the distribution of electronic components. Based in Hongkong, we have already established firm and mutual-benefit business relationships with customers from,Europe,America and south Asia,supplying obsolete and hard-to-find components to meet their specific needs.

With the principle of “Quality Parts,Customers Priority,Honest Operation,and Considerate Service”,our business mainly focus on the distribution of electronic components. Line cards we deal with include Microchip,ALPS,ROHM,Xilinx,Pulse,ON,Everlight and Freescale. Main products comprise IC,Modules,Potentiometer,IC Socket,Relay,Connector.Our parts cover such applications as commercial,industrial, and automotives areas.

We are looking forward to setting up business relationship with you and hope to provide you with the best service and solution. Let us make a better world for our industry!



Contact us

Tel: +86-755-8981 8866 Fax: +86-755-8427 6832

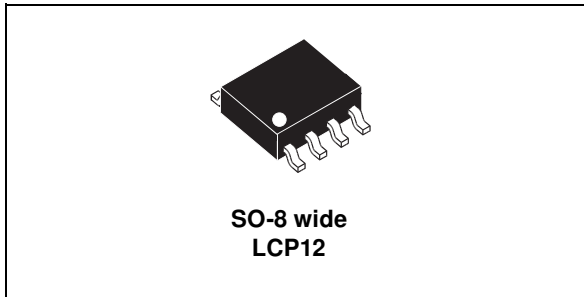
Email & Skype: info@chipsmall.com Web: www.chipsmall.com

Address: A1208, Overseas Decoration Building, #122 Zhenhua RD., Futian, Shenzhen, China



Protection IC for ringing SLICs

Datasheet – production data



Features

- Protection IC recommended for ringing SLICs
- Wide firing voltage range: -120 V to +120 V
- Low gate triggering current: $I_G = 5 \text{ mA max}$
- Peak pulse current: $I_{PP} = 50 \text{ A (10/1000 } \mu\text{s)}$
- Holding current: $I_H = 150 \text{ mA min.}$

Applications

- Dual battery supply voltage SLICs
- Central office (CO)
- Private branch exchange (PBX)
- Digital loop carrier (DLC)
- Digital subscriber line access multiplexer (DSLAM)
- Fiber in the loop (FITL)
- Wireless local loop (WLL)
- Hybrid fiber coax (HFC)
- ISDN terminal adapter
- Cable modem

TM: Trisil is a trademark of STMicroelectronics

Description

The LCP12 has been developed to protect SLICs operating on both negative and positive battery supplies, as well as high voltage SLICs. It provides crowbar mode protection for both TIP and RING lines. The surge suppression is assumed for each wire by two thyristor structures, one dedicated to positive surges the second one for negative surges. Both positive and negative threshold levels are programmable by two gates.

LCP12 can be used to help equipment to meet various standards such as UL1950, IEC 60950 / CSAC22.2, UL1459 and TIA-968-A. LCP12 pinout and clearance is compatible with UL60950. Resin meets UL94 V0.

LCP12 is UL497B approved - file: E136224.

The LCP12 associated with Epcos PTC model B59173C1130A151 is compliant with ITU TK20/K21 (4 kV lightning and AC power fault tests).

Figure 1. Functional diagram

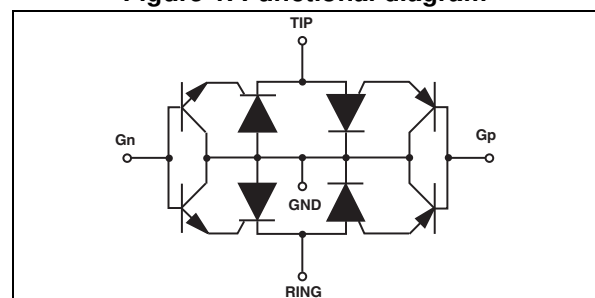
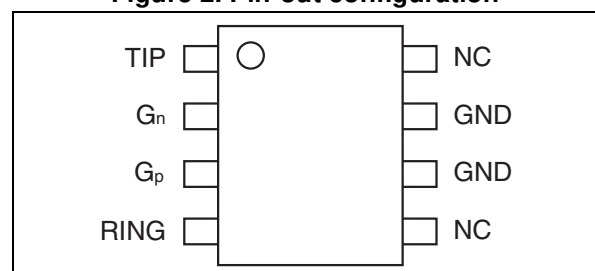


Figure 2. Pin-out configuration



1 Characteristics

Table 1. Compliant with the following standards

Standard	Peak surge voltage (V)	Voltage waveform	Required peak current (A)	Current waveform	Minimum series resistor Rs to meet standard (Ω)
GR-1089 Core First level	2500	2/10 μs	500	2/10 μs	12
	1000	10/1000 μs	100	10/1000 μs	10
GR-1089 Core Second level	5000	2/10 μs	500	2/10 μs	24
GR-1089 Core Intra-building	1500	2/10 μs	100	2/10 μs	0
ITU-T-K20/K21	6000	10/700 μs	150	5/310 μs	35
	4000		100		10
	1500		37.5		0
ITU-T-K20 (IEC61000-4-2)	8000	1/60 ns	ESD contact discharge		0
	15000		ESD air discharge		0
IEC61000-4-5	4000	10/700 μs	100	5/310 μs	14
	4000	1.2/50 μs	100	8/20 μs	0
TIA-968-A (formerly FCC part 68) type A	1500	10/160 μs	200	10/160 μs	20
	800	10/560 μs	100	10/560 μs	15
TIA-968-A (formerly FCC part 68) type B	1000	9/720 μs	25	5/320 μs	0

Table 2. Absolute maximum ratings (T_{amb} = 25 °C)

Symbol	Parameter	Value	Unit
I _{PP}	Peak pulse current	10/1000 μs	50
		5/310 μs	80
		2/10μs	150
I _{TSM}	Non repetitive surge peak on-state current (F = 50 Hz) I _{TSM} value specified for each line I _{TSM} value can be applied on both lines at the same time (GND capability is twice the line I _{TSM})	t _p = 0.2 s	11
		t _p = 1 s	7.5
		t _p = 15 min.	3
V _{Gn} V _{Gp}	Negative battery voltage range Positive battery voltage range	-120 to 0 0 to +120	V
T _j	Operating junction temperature range	-40 to +125	°C
T _{stg}	Storage temperature range	-55 to +150	°C
T _L	Lead solder temperature (10 s duration)	260	°C

Figure 3. Pulse waveform

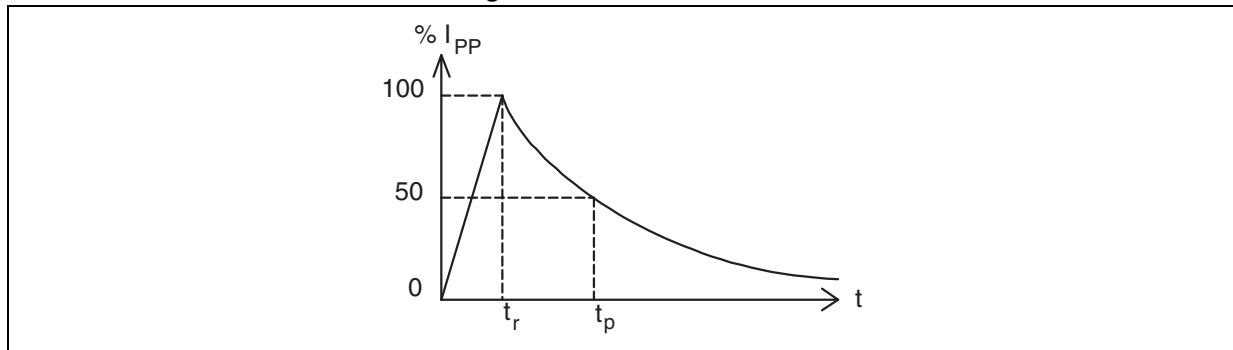


Table 3. Thermal resistance

Symbol	Parameter	Value	Unit
$R_{th(j-a)}$	Junction to ambient	150	°C/W

Table 4. Parameters related to the negative suppressor

Symbol	Parameter	Test conditions	Min.	Max.	Unit
I_{Gn}	Negative gate trigger current	$V_{Gn/GND} = -60\text{ V}$ Measured at 50 Hz		5	mA
I_H	Holding current (see Figure 4)	$V_{Gn} = -60\text{ V}$	150		mA
V_{DGL-}	Dynamic switching voltage Gn / TIP or RING ⁽¹⁾	$V_{Gn/GND} = -60\text{ V}$ 10/700 μs 2 kV $R_s = 25\ \Omega$ $I_{PP} = 30\text{ A}$ 1.2/50 μs 2 kV $R_s = 25\ \Omega$ $I_{PP} = 30\text{ A}$		8 12	V
V_{GnT}	G_n to TIP voltage	$I_{Gn} = 20\text{ mA}$	0.7	1.7	V

1. The V_{DGL} value is the difference between the peak line voltage during the surge and the programmed gate voltage.

Table 5. Parameters related to the positive suppressor

Symbol	Parameter	Test conditions	Min.	Max.	Unit
I_{Gp}	Positive gate trigger current	$V_{Gp/GND} = 60\text{ V}$, measured at 50 Hz		5	mA
V_{DGL+}	Dynamic switching voltage Gp / TIP or RING ⁽¹⁾	$V_{Gp/GND} = 60\text{ V}$ 10/700 μs 2 kV $R_s = 25\ \Omega$ $I_{PP} = 30\text{ A}$ 1.2/50 μs 2 kV $R_s = 25\ \Omega$ $I_{PP} = 30\text{ A}$		8 20	V
V_{GpR}	G_p to RING voltage	$I_{Gp} = -20\text{ mA}$	1	2	V

1. The V_{DGL} value is the difference between the peak line voltage during the surge and the programmed gate voltage.

Table 6. Parameters related to TIP or RING / GND

Symbol	Parameter	Test conditions	Min.	Max.	Unit
I_R	Reverse leakage current	$V_{TIP\text{ or RING}} = +120\text{ V}$ $V_{Gp/TIP\text{ or RING}} = +1\text{ V}$ $V_{TIP\text{ or RING}} = -120\text{ V}$ $V_{Gn/TIP\text{ or RING}} = -1\text{ V}$		5 5	μA
C	Capacitance TIP or RING / GND	$V_R = -3\text{ V}$, $F = 1\text{ MHz}$, $V_{Gp} = 60\text{ V}$, $V_{Gn} = -60\text{ V}$		60	pF

Table 7. Recommended gate capacitance

Symbol	Component	Min.	Typ.	Max.	Unit
C_n, C_p	Gate decoupling capacitance	100	220		nF

Figure 4. Relative variation of holding current versus junction temperature

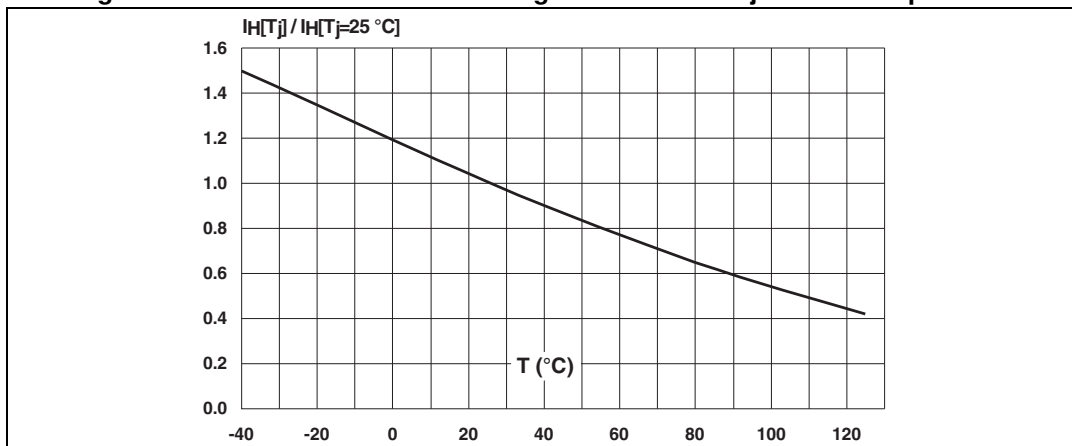


Figure 5. Maximum non repetitive surge peak on state current versus overload duration

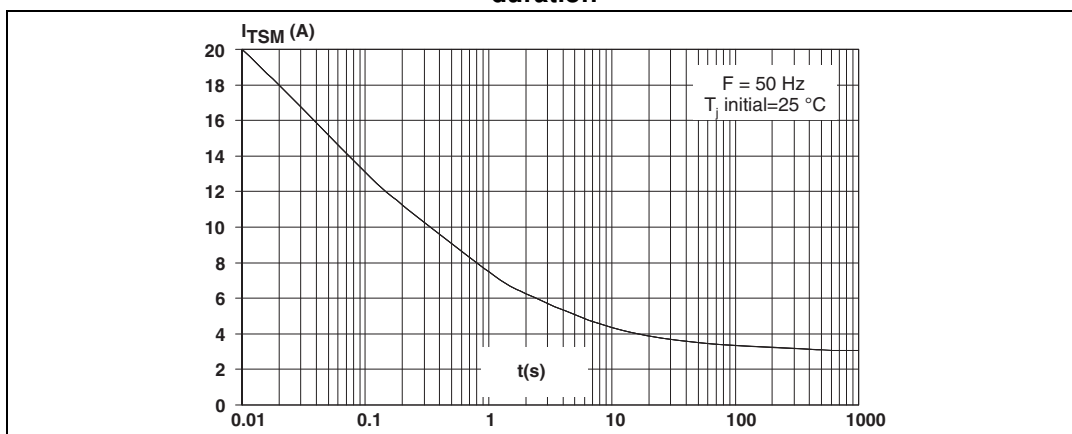
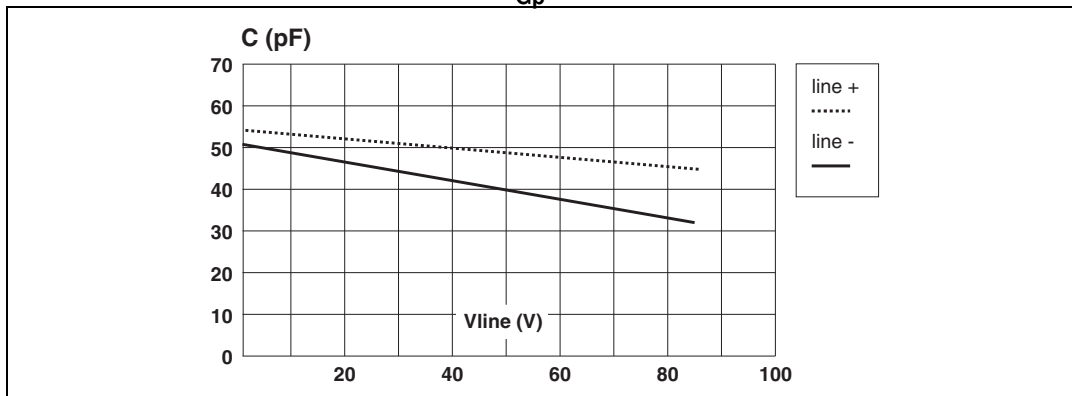


Figure 6. Capacitance versus reverse applied voltage (typical values) with $V_{Gn} = -90\text{ V}$ and $V_{Gp} = +90\text{ V}$



2 Technical information

Figure 7. LCP12 concept behavior

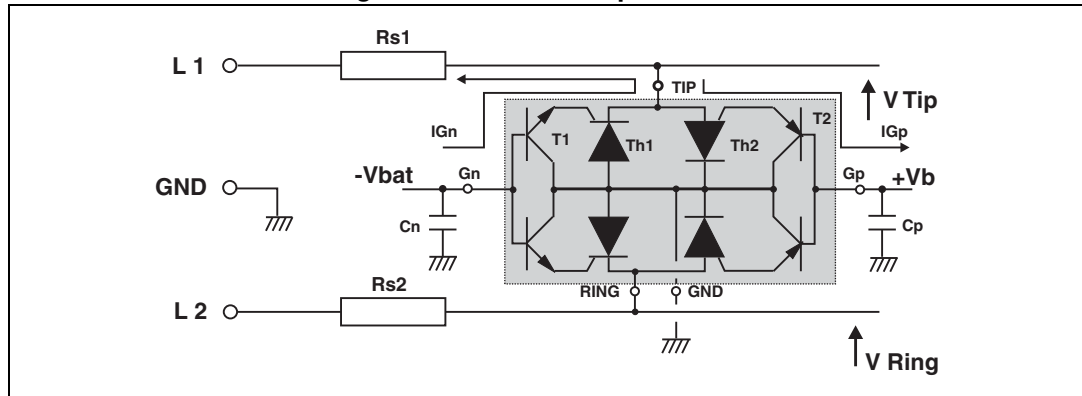


Figure 7 shows the classical protection circuit using the LCP12 crowbar concept. This topology has been developed to protect two-battery voltage SLICs. It allows both positive and negative firing thresholds to be programmed. The LCP12 has two gates (Gn and Gp). Gn is biased to negative battery voltage -Vbat, while Gp is biased to the positive battery voltage +Vb.

When a negative surge occurs on one wire (L1 for example), a current I_{Gn} flows through the base of the transistor T1 and then injects a current in the gate of the thyristor Th1 which turns-on. All the surge current flows through the ground. After the surge, when the current flowing through Th1 becomes less negative than the negative holding current I_{H-} , Th1 switches off. This holding current I_{H-} is temperature dependent as per Figure 4

When a positive surge occurs on one wire (L1 for example), a current I_{Gp} flows through the base of the transistor T2 and then injects a current in the gate of the thyristor Th2 which fires. All the surge current flows through the ground. After the surge, when the current flowing through Th2 becomes less positive than the positive holding current I_{H+} , Th2 switches off. This holding current I_{H+} , typically 20 mA at 25 °C, is temperature dependent and the same Figure 4 also applies.

The capacitors Cn and Cp are used to speed up the crowbar structure firing during the fast rise or fall edges. This allows minimization of the dynamic breakover voltage at the SLIC TIP and RING inputs during fast surges. Please note that these capacitors are generally available around the SLIC. To be efficient they have to be as close as possible to the LCP12 gate pins (Gn and Gp) and to the reference ground track (or plan). The optimized value for Cn and Cp is 220 nF.

The series resistors Rs shown in Figure 7 represent the fuse resistors or the PTCs which are needed to withstand the power contact or the power induction tests imposed by the country standards. Taking this factor into account, the actual lightning surge current flowing through the LCP12 is equal to:

$$I_{\text{surge}} = V_{\text{surge}} / (R_g + R_s)$$

With

V_{surge} = peak surge voltage imposed by the standard.

R_g = series resistor of the surge generator

R_s = series resistor of the line card (e.g. PTC)

For a line card with 50 Ω of series resistors which has to be qualified under GR-1089 1000 V 10/1000 μs surge, the present current through the LCP12 is equal to:

$$I_{\text{surge}} = 1000 / (10 + 50) = 17 \text{ A}$$

The LCP12 topology is particularly optimized for the new telecom applications such as fiber in the loop, WLL systems, and decentralized central office, for example.

Figure 8. Protection of SLIC with positive and negative battery voltages

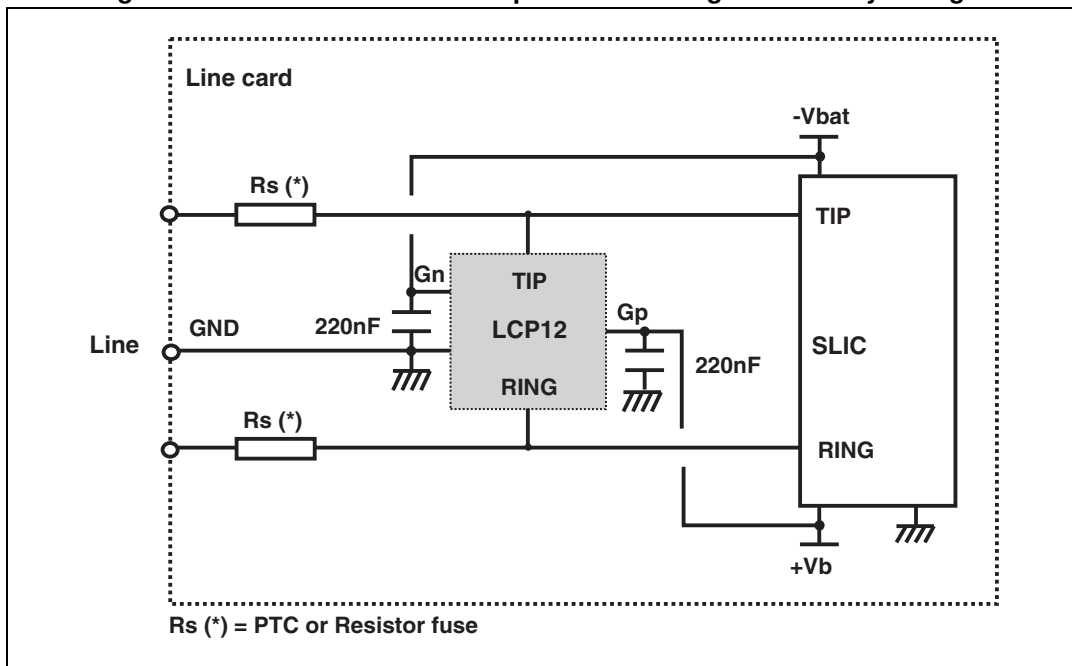


Figure 8 shows the classical protection topology for SLIC using both positive and negative battery voltages. With such a topology the SLIC is protected against surge over +Vb and lower than -Vbat. In this case, +Vb can be programmed up to +120 V while -Vbat can be programmed down to -120 V.

3 Package information

- Epoxy meets UL94, V0
- Lead-free package

In order to meet environmental requirements, ST offers these devices in different grades of ECOPACK[®] packages, depending on their level of environmental compliance. ECOPACK[®] specifications, grade definitions and product status are available at: www.st.com. ECOPACK[®] is an ST trademark.

Figure 9. SO-8 wide dimension definitions

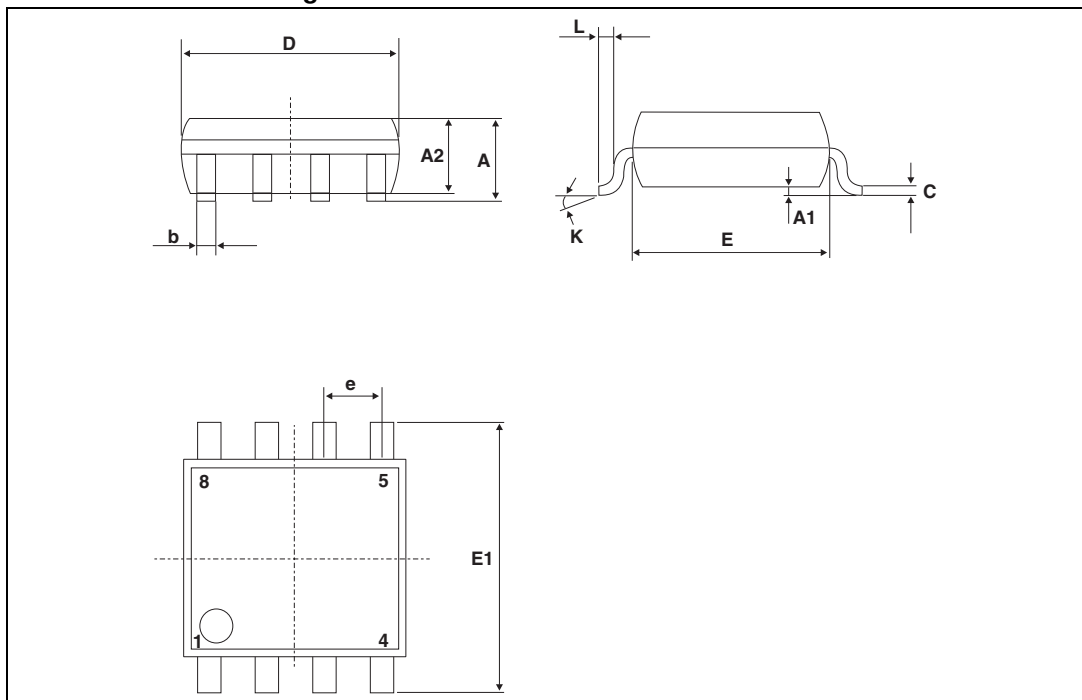
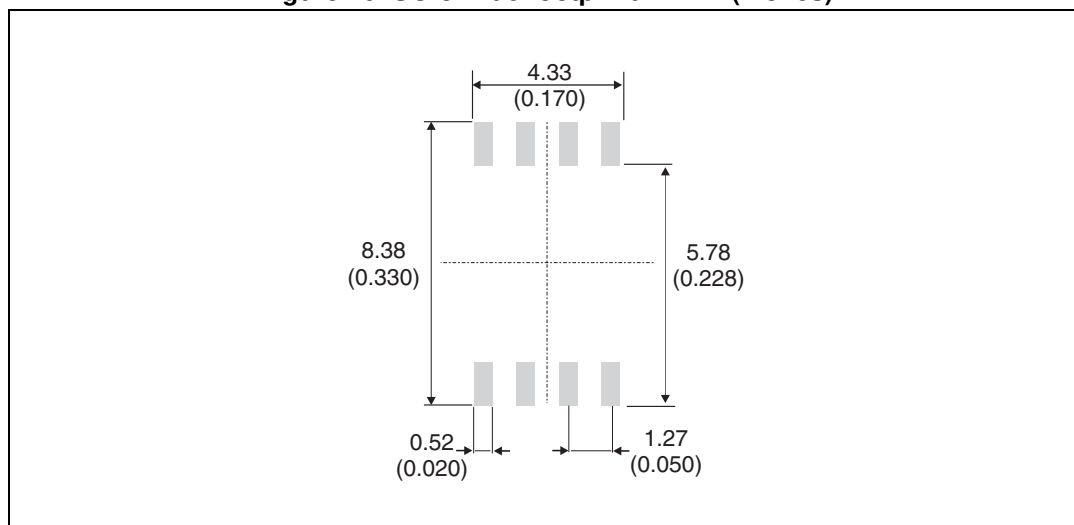


Table 8. SO-8 wide dimension values

Ref.	Dimensions					
	Millimeters			Inches		
	Min.		Max.	Min.		Max.
A	1.70	1.90	2.10	0.07	0.07	0.08
A1	0.05	0.10	0.25	0.00	0.00	0.01
A2	1.65	1.80	1.75	0.06	0.07	0.07
b	0.38	0.43	0.48	0.01	0.02	0.02
c	0.15	0.20	0.25	0.01	0.01	0.01
D	5.14	5.24	5.34	0.02	0.021	0.21
E	5.20	5.30	5.40	0.02	0.021	0.21
E1	7.70	7.80	8.25	0.30	0.031	0.32
e		1.27		0.05	0.05	
K			8.00	0.14	0.31	
L	0.55	0.75	0.85	0.02	0.03	0.03

Figure 10. SO-8 wide footprint in mm (inches)



4 Ordering information

Table 9. Ordering information

Order code	Marking	Package	Weight	Base qty	Delivery mode
LCP12-150B1RL	LCP12	SO-8 wide	0.125g	1500	Tape and reel

5 Revision history

Table 10. Document revision history

Date	Revision	Changes
14-May-2010	1	Initial release.
23-Feb-2012	2	Updated dimensions in Table 8 . Standardized nomenclature for Gn and Gp.
18-Jun-2012	3	Updated dimension D in SO-8 wide.
20-Mar-2014	4	Updated Description , Table 6 and Package information formatting.

Please Read Carefully:

Information in this document is provided solely in connection with ST products. STMicroelectronics NV and its subsidiaries ("ST") reserve the right to make changes, corrections, modifications or improvements, to this document, and the products and services described herein at any time, without notice.

All ST products are sold pursuant to ST's terms and conditions of sale.

Purchasers are solely responsible for the choice, selection and use of the ST products and services described herein, and ST assumes no liability whatsoever relating to the choice, selection or use of the ST products and services described herein.

No license, express or implied, by estoppel or otherwise, to any intellectual property rights is granted under this document. If any part of this document refers to any third party products or services it shall not be deemed a license grant by ST for the use of such third party products or services, or any intellectual property contained therein or considered as a warranty covering the use in any manner whatsoever of such third party products or services or any intellectual property contained therein.

UNLESS OTHERWISE SET FORTH IN ST'S TERMS AND CONDITIONS OF SALE ST DISCLAIMS ANY EXPRESS OR IMPLIED WARRANTY WITH RESPECT TO THE USE AND/OR SALE OF ST PRODUCTS INCLUDING WITHOUT LIMITATION IMPLIED WARRANTIES OF MERCHANTABILITY, FITNESS FOR A PARTICULAR PURPOSE (AND THEIR EQUIVALENTS UNDER THE LAWS OF ANY JURISDICTION), OR INFRINGEMENT OF ANY PATENT, COPYRIGHT OR OTHER INTELLECTUAL PROPERTY RIGHT.

ST PRODUCTS ARE NOT DESIGNED OR AUTHORIZED FOR USE IN: (A) SAFETY CRITICAL APPLICATIONS SUCH AS LIFE SUPPORTING, ACTIVE IMPLANTED DEVICES OR SYSTEMS WITH PRODUCT FUNCTIONAL SAFETY REQUIREMENTS; (B) AERONAUTIC APPLICATIONS; (C) AUTOMOTIVE APPLICATIONS OR ENVIRONMENTS, AND/OR (D) AEROSPACE APPLICATIONS OR ENVIRONMENTS. WHERE ST PRODUCTS ARE NOT DESIGNED FOR SUCH USE, THE PURCHASER SHALL USE PRODUCTS AT PURCHASER'S SOLE RISK, EVEN IF ST HAS BEEN INFORMED IN WRITING OF SUCH USAGE, UNLESS A PRODUCT IS EXPRESSLY DESIGNATED BY ST AS BEING INTENDED FOR "AUTOMOTIVE, AUTOMOTIVE SAFETY OR MEDICAL" INDUSTRY DOMAINS ACCORDING TO ST PRODUCT DESIGN SPECIFICATIONS. PRODUCTS FORMALLY ESCC, QML OR JAN QUALIFIED ARE DEEMED SUITABLE FOR USE IN AEROSPACE BY THE CORRESPONDING GOVERNMENTAL AGENCY.

Resale of ST products with provisions different from the statements and/or technical features set forth in this document shall immediately void any warranty granted by ST for the ST product or service described herein and shall not create or extend in any manner whatsoever, any liability of ST.

ST and the ST logo are trademarks or registered trademarks of ST in various countries.

Information in this document supersedes and replaces all information previously supplied.

The ST logo is a registered trademark of STMicroelectronics. All other names are the property of their respective owners.

© 2014 STMicroelectronics - All rights reserved

STMicroelectronics group of companies

Australia - Belgium - Brazil - Canada - China - Czech Republic - Finland - France - Germany - Hong Kong - India - Israel - Italy - Japan - Malaysia - Malta - Morocco - Philippines - Singapore - Spain - Sweden - Switzerland - United Kingdom - United States of America

www.st.com