



Chipsmall Limited consists of a professional team with an average of over 10 year of expertise in the distribution of electronic components. Based in Hongkong, we have already established firm and mutual-benefit business relationships with customers from,Europe,America and south Asia,supplying obsolete and hard-to-find components to meet their specific needs.

With the principle of “Quality Parts,Customers Priority,Honest Operation,and Considerate Service”,our business mainly focus on the distribution of electronic components. Line cards we deal with include Microchip,ALPS,ROHM,Xilinx,Pulse,ON,Everlight and Freescale. Main products comprise IC,Modules,Potentiometer,IC Socket,Relay,Connector.Our parts cover such applications as commercial,industrial, and automotives areas.

We are looking forward to setting up business relationship with you and hope to provide you with the best service and solution. Let us make a better world for our industry!



## Contact us

Tel: +86-755-8981 8866 Fax: +86-755-8427 6832

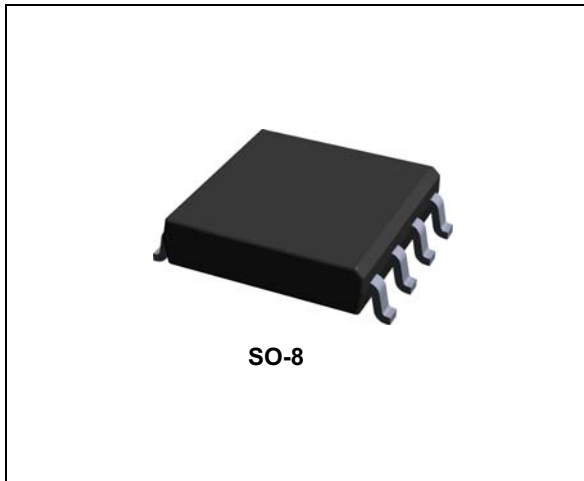
Email & Skype: info@chipsmall.com Web: www.chipsmall.com

Address: A1208, Overseas Decoration Building, #122 Zhenhua RD., Futian, Shenzhen, China



## Programmable transient voltage suppressor for SLIC protection

Datasheet - production data



### Description

These devices have been especially designed to protect new high voltage, as well as classical SLICs, against transient overvoltages.

Positive overvoltages are clamped by 2 diodes. Negative surges are suppressed by 2 thyristors, their breakdown voltage being referenced to  $-V_{BAT}$  through the gate.

These components present a very low gate triggering current ( $I_{GT}$ ) in order to reduce the current consumption on printed circuit board during the firing phase.

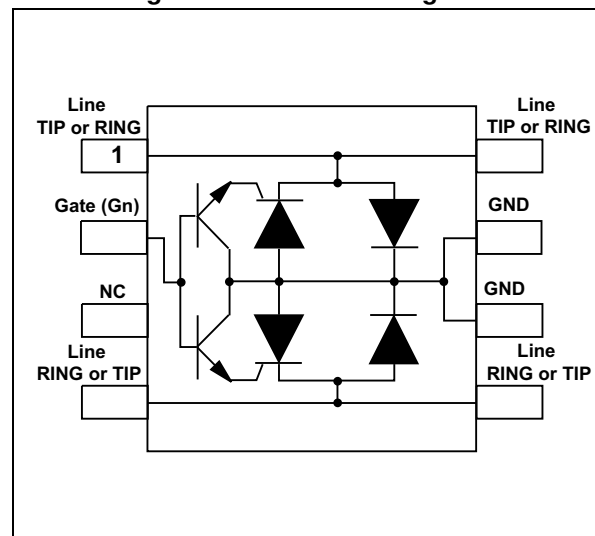
### Features

- Programmable transient suppressor
- Wide negative firing voltage range:  $V_{Gn} = -175\text{ V max.}$
- Low dynamic switching voltages:  $V_{FP}$  and  $V_{DGL}$
- Low gate triggering current:  $I_{GT} = 5\text{ mA max.}$
- Peak pulse current:  $I_{PP} = 40\text{ A (5/310 }\mu\text{s)}$
- Holding current:  $I_H = 150\text{ mA min.}$

### Benefits

- Trisil™ is not subject to ageing and provides a fail safe mode in short circuit for a better level of protection.
- Trisils are used to ensure equipment meets various standards such as UL60950, IEC 60950 / CSA C22.2, UL1459, TIA-968-A (formerly FCC part 68)
- Trisils have UL94 V0 approved resin (Trisils are UL497B approved [file: E136224]).

Figure 1. Functional diagram



**TM:** Trisil is a trademark of STMicroelectronics

# 1 Characteristics

**Table 1. Standards compliance**

Standard	Peak surge voltage (V)	Voltage waveform	Required peak current (A)	Current waveform	Minimum serial resistor to meet standard (Ω)
GR-1089 Core First level	2500	2/10 μs	500	2/10 μs	12
	1000	10/1000 μs	100	10/1000 μs	24
GR-1089 Core Second level	5000	2/10 μs	500	2/10 μs	24
GR-1089 Core Intra-building	1500	2/10 μs	100	2/10 μs	0
ITU-T-K20/K21	6000	10/700 μs	150	5/310 μs	110
	1500		37.5		0
ITU-T-K20 (IEC 61000-4-2)	8000	1/60 ns	ESD contact discharge		0
	15000		ESD air discharge		0
IEC 61000-4-5	4000	10/700 μs	100	5/310 μs	60
	4000	1.2/50 μs	100	8/20 μs	0
TIA-968-A, lightning surge type A	1500	10/160 μs	200	10/160 μs	22.5
	800	10/560 μs	100	10/560 μs	15
TIA-968-A, lightning surge type B	1000	9/720 μs	25	5/320 μs	0

**Table 2. Thermal resistances**

Symbol	Parameter	Value	Unit
R <sub>th(j-a)</sub>	Junction to ambient	120	°C/W

Table 3. Absolute ratings ( $T_{amb} = 25\text{ }^{\circ}\text{C}$ )

Symbol	Parameter	Value	Unit	
$I_{PP}$	Peak pulse current <sup>(1)</sup>	10/1000 $\mu\text{s}$	30	A
		8/20 $\mu\text{s}$	100	
		10/560 $\mu\text{s}$	35	
		5/310 $\mu\text{s}$	40	
		10/160 $\mu\text{s}$	50	
		1/20 $\mu\text{s}$	100	
		2/10 $\mu\text{s}$	150	
$I_{TSM}$	Non repetitive surge peak on-state current (50 Hz sinusoidal) <sup>(1)</sup>	t = 20 ms	18	A
		t = 200 ms	10	
		t = 1 s	7	
$V_{Gn}$	Negative battery voltage range	-40 $^{\circ}\text{C} < T_{amb} < +85\text{ }^{\circ}\text{C}$	-175	V
$T_{stg}$	Storage temperature range		-55 to +150	$^{\circ}\text{C}$
$T_j$	Operating junction temperature range		-55 to +150	
$T_L$	Maximum lead temperature for soldering during 10 s.		260	$^{\circ}\text{C}$

1. The rated current values may be applied either to the RING to GND or to the Tip to GND terminal pairs. Additionally, both terminal pairs may have their rated current values applied simultaneously (in this case the GND terminal current will be twice the rated current value of an individual terminal pair).

Figure 2. Electrical characteristics (definitions)

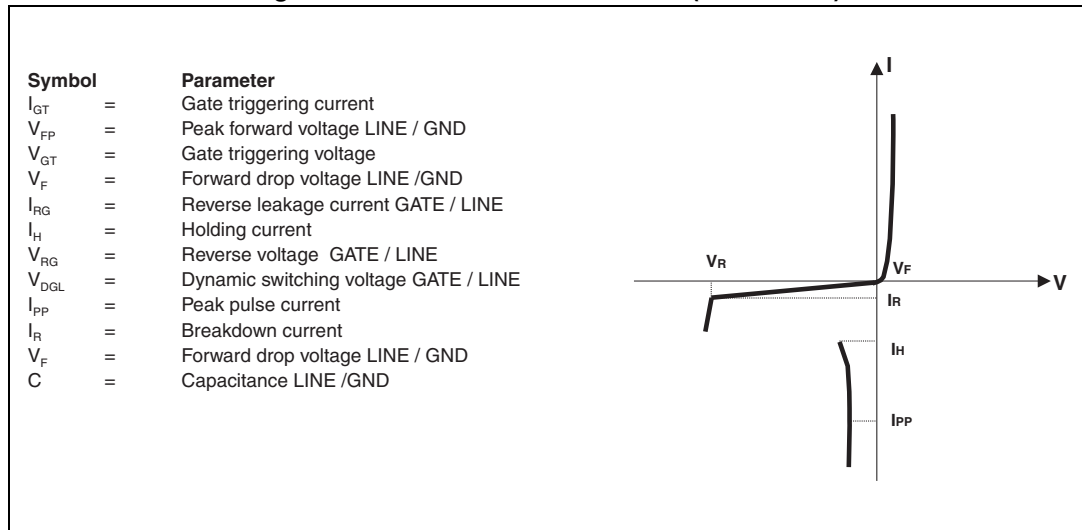


Figure 3. Pulse waveform

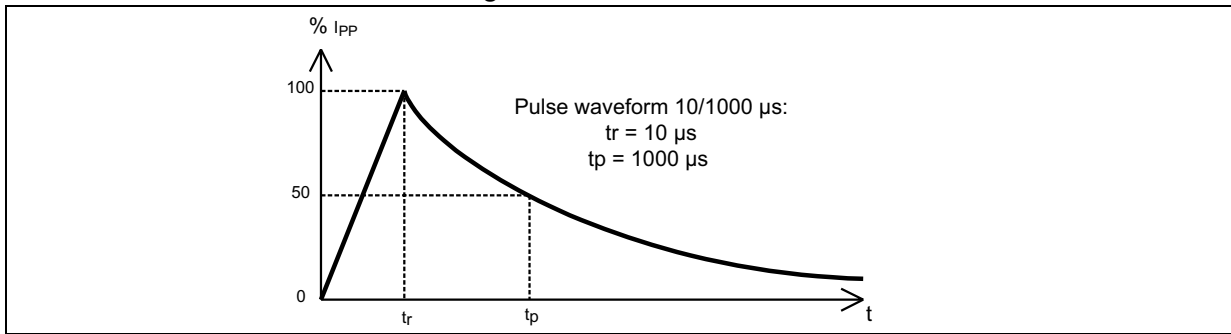


Table 4. Parameters ( $T_{amb} = 25\text{ °C}$  unless otherwise specified)

Symbol	Test conditions				Min	Typ	Max	Unit
$I_{GT}$	$V_{LINE} = -48\text{ V}$				0.1		5	mA
$I_H$	$V_{Gn} = -48\text{ V}$				150			mA
$V_{GT}^{(1)}$	at $I_{GT}$						2.5	V
$I_{RG}$	$V_{RG} = -175\text{ V}$						5	$\mu\text{A}$
	$V_{RG} = -175\text{ V}$						$T_j = 25\text{ °C}$	
$V_{DGL}^{(1)}$	$V_{Gn} = -48\text{ V}^{(1)}$	10/700 $\mu\text{s}$	1.5 kV	$R_S = 10\ \Omega$	$I_{PP} = 30\text{ A}$		7	V
		1.2/50 $\mu\text{s}$	1.5 kV	$R_S = 10\ \Omega$	$I_{PP} = 30\text{ A}$		10	
		2/10 $\mu\text{s}$	2.5 kV	$R_S = 62\ \Omega$	$I_{PP} = 38\text{ A}$		25	
$V_F$	$I_F = 5\text{ A}$						3	V
$V_{FP}$	10/700 $\mu\text{s}$		1.5 kV		$R_S = 10\ \Omega$		5	V
	1.2/50 $\mu\text{s}$		1.5 kV		$R_S = 10\ \Omega$		9	
	2/10 $\mu\text{s}$		2.5 kV		$R_S = 62\ \Omega$		30	
$I_R$	$V_{Gn} / LINE = -1\text{ V}$		$V_{LINE} = -175\text{ V}$		$T_j = 25\text{ °C}$		5	$\mu\text{A}$
	$V_{Gn} / LINE = -1\text{ V}$		$V_{LINE} = -175\text{ V}$		$T_j = 85\text{ °C}$		50	
C	$V_{LINE} = -50\text{ V}, V_{RMS} = 1\text{ V}, F = 1\text{ MHz}$						15	pF
	$V_{LINE} = -2\text{ V}, V_{RMS} = 1\text{ V}, F = 1\text{ MHz}$						35	

1. The oscillations with a time duration lower than 50 ns are not taken into account.

Table 5. Recommended gate capacitance

Symbol	Component	Min.	Typ.	Max.	Unit
$C_G$	Gate decoupling capacitance	100	220		nF

## 2 Technical information

Figure 4. LCP concept behavior

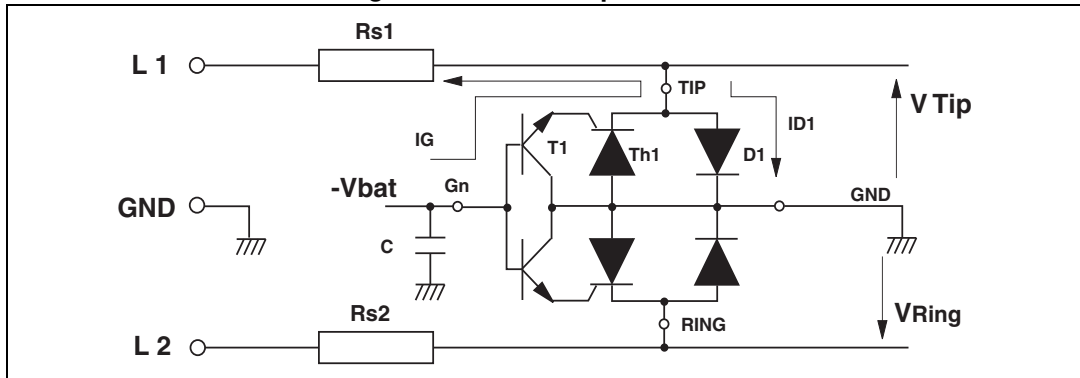


Figure 4 shows the classical protection circuit using the LCP crowbar concept. This topology has been developed to protect the new high voltage SLICs. It allows to program the negative firing threshold while the positive clamping value is fixed at GND.

When a negative surge occurs on one wire (L1 for example) a current  $I_G$  flows through the base of the transistor T1 and then injects a current in the gate of the thyristor Th1. Th1 fires and all the surge current flows through the ground. After the surge when the current flowing through Th1 becomes less negative than the holding current  $I_H$ , then Th1 switches off.

When a positive surge occurs on one wire (L1 for example) the diode D1 conducts and the surge current flows through the ground.

Figure 5. Example of PCB layout based on LCP1521S protection

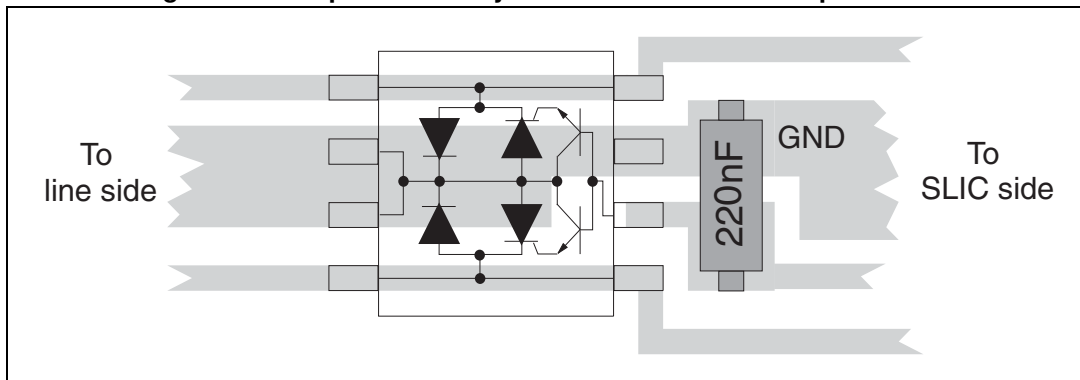


Figure 5 shows the classical PCB layout used to optimize line protection.

The capacitor C is used to speed up the crowbar structure firing during the fast surge edges.

This allows minimization of the dynamic breakover voltage at the SLIC Tip and Ring inputs during fast strikes. Note that this capacitor is generally present around the SLIC - Vbat pin.

So to be efficient it has to be as close as possible from the LCP Gate pin and from the reference ground track (or plan) (see Figure 5). The optimized value for C is 220 nF.

The series resistors Rs1 and Rs2 designed in [Figure 4](#) represent the fuse resistors or the PTC which are mandatory to withstand the power contact or the power induction tests imposed by the various country standards. Taking into account this fact the actual lightning surge current flowing through the LCP is equal to:

$$I_{\text{surge}} = V_{\text{surge}} / (R_g + R_s)$$

With:

$V_{\text{surge}}$  = peak surge voltage imposed by the standard.

$R_g$  = series resistor of the surge generator

$R_s$  = series resistor of the line card (e.g. PTC)

e.g. For a line card with 30 Ω of series resistors which has to be qualified under GR1089 core 1000V 10/1000 μs surge, the actual current through the LCP is equal to:

$$I_{\text{surge}} = 1000 / (10 + 30) = 25 \text{ A}$$

The LCP is particularly optimized for the new telecom applications such as the fiber in the loop, the WLL, the remote central office. In this case, the operating voltages are smaller than in the classical system. This makes the high voltage SLICs particularly suitable.

The schematics of [Figure 6](#) give the most frequent topology used for these applications.

Figure 6. Protection of high voltage SLIC

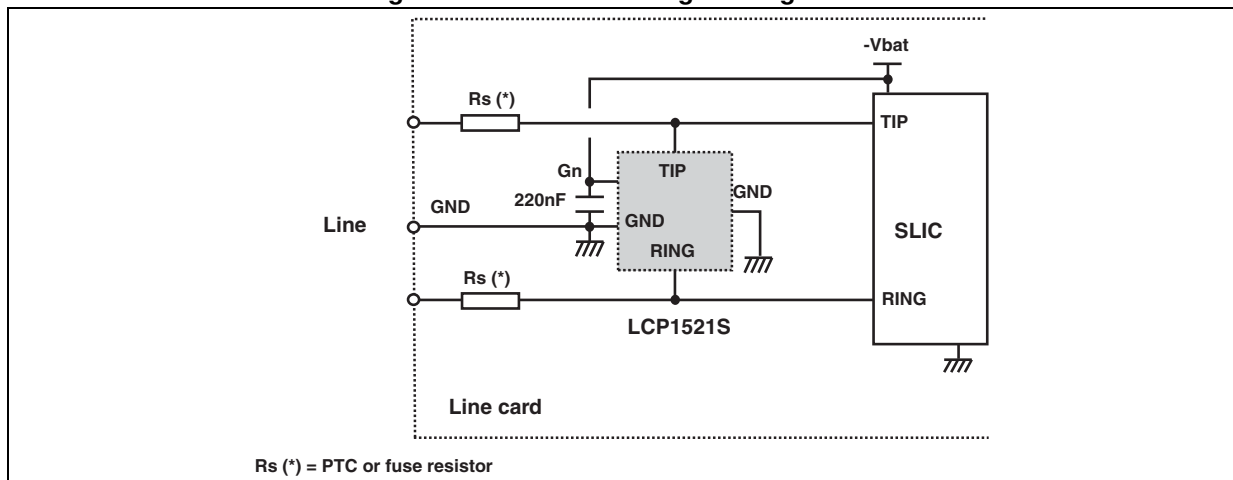


Figure 7. Surge peak current versus duration

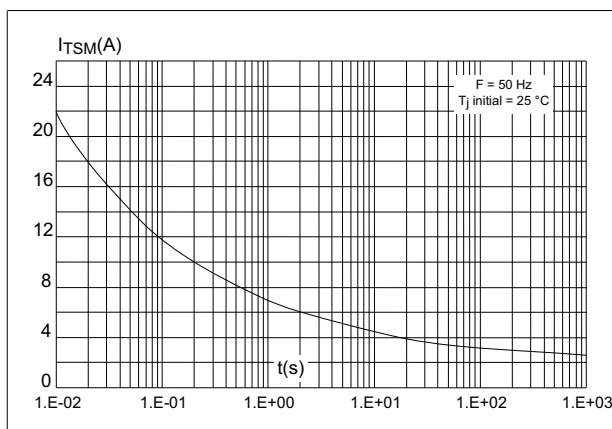
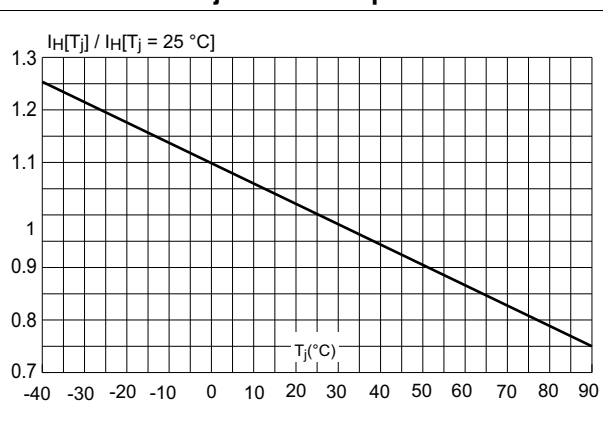


Figure 8. Relative variation of holding current versus junction temperature



### 3 Package information

- Epoxy meets UL94, V0

In order to meet environmental requirements, ST offers these devices in different grades of ECOPACK<sup>®</sup> packages, depending on their level of environmental compliance. ECOPACK<sup>®</sup> specifications, grade definitions and product status are available at: [www.st.com](http://www.st.com). ECOPACK<sup>®</sup> is an ST trademark.



### 3.1 SO-8 package information

Figure 9. SO-8 package outline

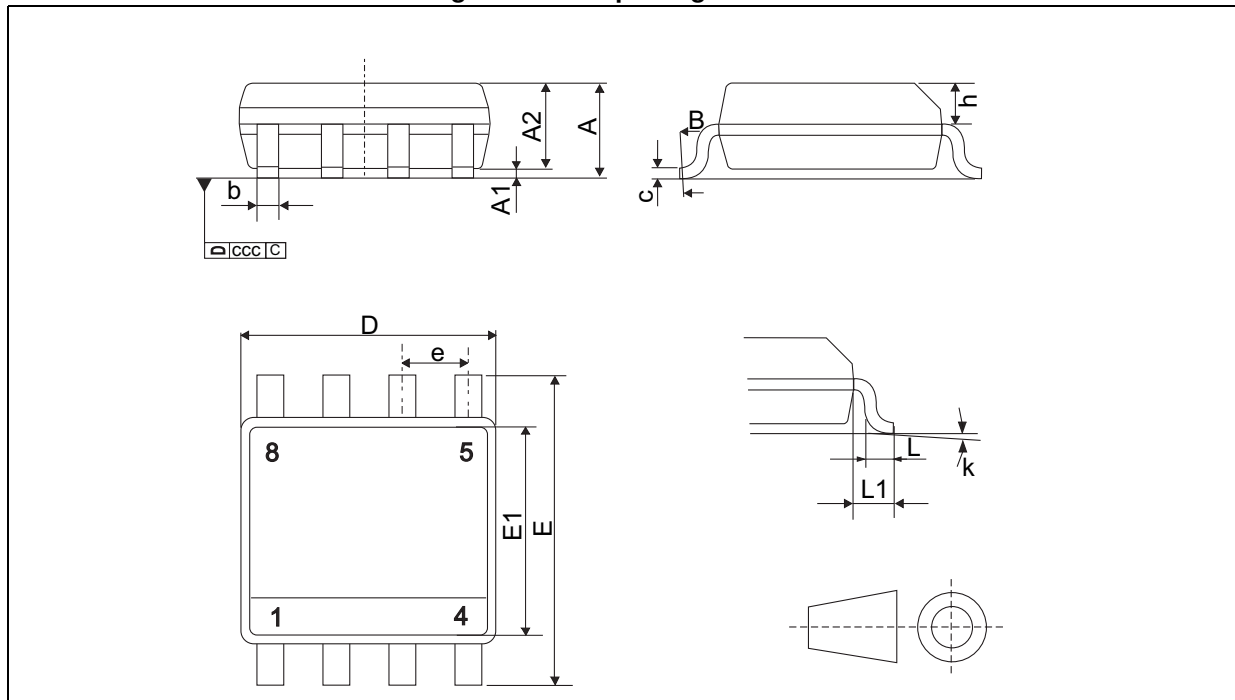
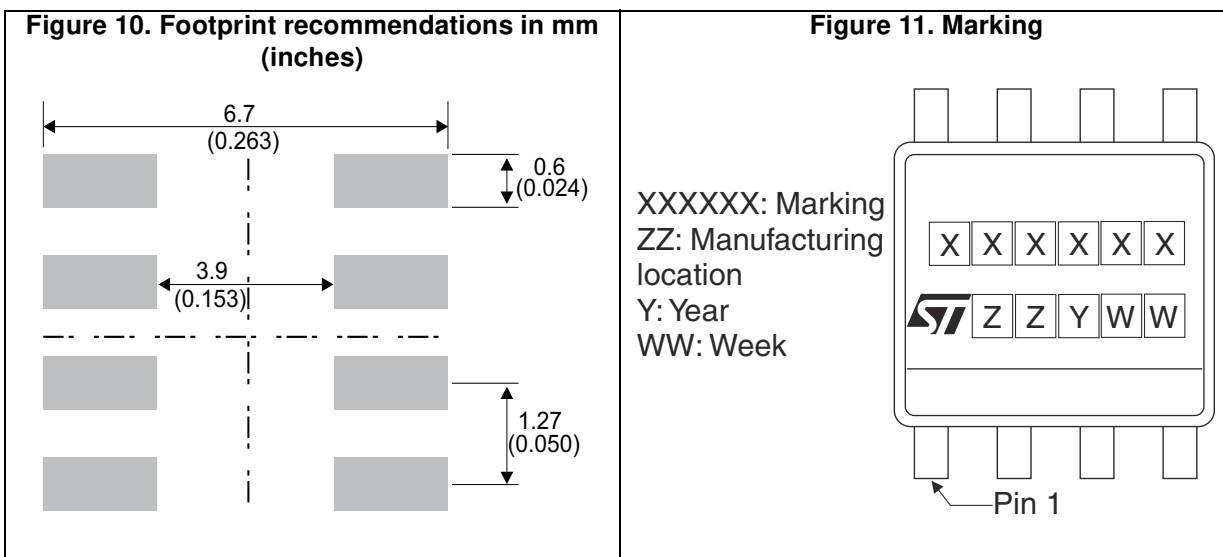


Table 6. SO-8 package mechanical data

Ref.	Dimensions					
	Millimeters			Inches		
	Min.	Typ.	Max.	Min.	Typ.	Max.
A			1.75			0.069
A1	0.1		0.25	0.004		0.010
A2	1.25			0.049		
b	0.28		0.48	0.011		0.019
c	0.17		0.23	0.007		0.009
D	4.80	4.90	5.00	0.189	0.193	0.197
E	5.80	6.00	6.20	0.228	0.236	0.244
E1	3.80	3.90	4.00	0.150	0.154	0.157
e		1.27			0.050	
h	0.25		0.50	0.010		0.020
L	0.40		1.27	0.016		0.050
L1		1.04			0.041	
k°	0		8	0		8
ccc			0.10			0.004



## 4 Ordering information

Table 7. Ordering information

Order code	Marking	Package	Weight	Base qty	Delivery mode
LCP1521SRL	CP152S	SO-8	0.08 g	2500	Tape and reel

## 5 Revision history

Table 8. Document revision history

Date	Revision	Changes
20-Nov-2009	1	First issue.
23-Feb-2012	2	Standardized nomenclature for Gn.
15-Nov-2013	3	Updated <a href="#">Figure 9</a> .
10-Apr-2015	4	Updated <a href="#">Figure 1</a> , <a href="#">Figure 10</a> and package view. Added <a href="#">Figure 11</a> . Updated <a href="#">Table 3</a> and <a href="#">Table 7</a> .
02-Jul-2015	5	Updated package information.
08-Jul-2015	6	Updated <a href="#">Figure 9</a> .

**IMPORTANT NOTICE – PLEASE READ CAREFULLY**

STMicroelectronics NV and its subsidiaries (“ST”) reserve the right to make changes, corrections, enhancements, modifications, and improvements to ST products and/or to this document at any time without notice. Purchasers should obtain the latest relevant information on ST products before placing orders. ST products are sold pursuant to ST’s terms and conditions of sale in place at the time of order acknowledgement.

Purchasers are solely responsible for the choice, selection, and use of ST products and ST assumes no liability for application assistance or the design of Purchasers’ products.

No license, express or implied, to any intellectual property right is granted by ST herein.

Resale of ST products with provisions different from the information set forth herein shall void any warranty granted by ST for such product.

ST and the ST logo are trademarks of ST. All other product or service names are the property of their respective owners.

Information in this document supersedes and replaces information previously supplied in any prior versions of this document.

© 2015 STMicroelectronics – All rights reserved