



Chipsmall Limited consists of a professional team with an average of over 10 year of expertise in the distribution of electronic components. Based in Hongkong, we have already established firm and mutual-benefit business relationships with customers from,Europe,America and south Asia,supplying obsolete and hard-to-find components to meet their specific needs.

With the principle of "Quality Parts,Customers Priority,Honest Operation,and Considerate Service",our business mainly focus on the distribution of electronic components. Line cards we deal with include Microchip,ALPS,ROHM,Xilinx,Pulse,ON,Everlight and Freescale. Main products comprise IC,Modules,Potentiometer,IC Socket,Relay,Connector.Our parts cover such applications as commercial,industrial, and automotives areas.

We are looking forward to setting up business relationship with you and hope to provide you with the best service and solution. Let us make a better world for our industry!



Contact us

Tel: +86-755-8981 8866 Fax: +86-755-8427 6832

Email & Skype: info@chipsmall.com Web: www.chipsmall.com

Address: A1208, Overseas Decoration Building, #122 Zhenhua RD., Futian, Shenzhen, China





AMGIS

LCP Series • Miniature Low Cost Toroidal Inductors

LCP Series surface mount toroidal inductors are designed for use in applications where energy storage is required for maintenance of a highly stable inductance when a rapid change in load current occurs. These inductors are excellent for filtering high frequency signals while supporting a substantial DC current as well as for AC ripple, switch mode power supplies and for use with DC-DC Converters.

Features

- Operating frequency to 1 MHz
- High energy storage with minimum saturation
- High stability from no load to full load
- Designed as 1:1 Coupled Inductor (Series or Parallel) or as 1:1 Isolation Transformer
- Manufactured in ISO-9001:2000, TS-16949:2002 and ISO-14001:2004 certified AMGIS facility
- Meets lead free reflow level J-STD-020C
- Fully RoHS compliant



Applications

DC-DC Converters • Common Mode Filter • Computer Note Books
Pulse Modulation Switching Regulators: Step-up, Step-down,
Inverting or dual output • Filtering Battery Powered Equipment

Electrical Specifications @ 25°C

Test voltage between windings: 500 Vrms

Operating temperature range: -40°C to +125°C

Climatic Category: IEC68-1 40/125/56

Test frequency: Inductance measured @ 10kHz/10mV

Part Number	Parallel Connected			Series Connected			Energy Storage (µJ) *	Dimensions Inches(Millimeters)									
	Full Load Current (A _{DC})	L ₀ (µH) ±15% No Load	DCR mOhm	Full Load Current (A _{DC})	L ₀ (µH) ±15% No Load	DCR mOhm		A	B	C	D	H					
LCP1-3.00-2.2	3.00	2.2	9	1.50	8.8	36	7.0	0.276 (7.0)	0.276 (7.0)	0.236 (6.0)	0.059 (1.5)	0.201 (5.1)					
LCP1-2.10-4.7	2.10	4.7	16	1.05	18.8	64	7.2										
LCP1-1.40-10	1.40	10	37	0.70	40	148	7.2										
LCP1-1.10-15	1.10	15	58	0.55	60	232	7.0										
LCP1-0.92-22	0.92	22	86	0.46	88	344	7.1										
LCP1-0.76-33	0.76	33	133	0.38	132	532	7.2										
LCP1-0.64-47	0.64	47	205	0.32	188	820	7.1										
LCP1-0.54-68	0.54	68	307	0.27	272	1228	7.2										
LCP1-0.44-100	0.44	100	376	0.22	400	1504	7.2										
LCP1-0.36-150	0.36	150	719	0.18	600	2876	7.2										
LCP1-0.30-220	0.30	220	866	0.15	880	3464	7.3										
LCP2-4.40-2.2	4.40	2.2	7	2.20	8.8	28	16.4	0.354 (9.0)	0.354 (9.0)	0.299 (7.6)	0.067 (1.7)	0.248 (6.3)					
LCP2-3.10-4.7	3.10	4.7	13	1.55	18.8	52	16.0										
LCP2-2.08-10	2.08	10	28	1.04	40	112	16.4										
LCP2-1.68-15	1.68	15	52	0.84	60	208	16.0										
LCP2-1.40-22	1.40	22	70	0.70	88	280	16.2										
LCP2-1.32-33	1.32	33	83	0.66	132	332	16.0										
LCP2-1.08-47	1.08	47	139	0.54	188	556	21.2										
LCP2-0.80-68	0.80	68	241	0.40	272	964	20.2										
LCP2-0.66-100	0.66	100	295	0.33	400	1180	15.8										
LCP2-0.54-150	0.54	150	521	0.27	600	2084	16.1										
LCP2-0.44-220	0.44	220	784	0.22	880	3136	15.8										
LCP2-0.36-330	0.36	330	960	0.18	1320	3840	15.8C										
LCP3-6.64-2.2	6.64	2.2	5	3.32	8.8	20	31.7						0.433 (11.0)	0.433 (11.0)	0.370 (9.4)	0.079 (2.0)	0.268 (6.8)
LCP3-4.46-4.7	4.46	4.7	12	2.23	18.8	48	32.2										
LCP3-3.00-10	3.00	10	26	1.5	40	104	32.8										
LCP3-2.42-15	2.42	15	37	1.21	60	148	31.8										
LCP3-2.00-22	2.00	22	55	1.00	88	220	32.7										
LCP3-1.62-33	1.62	33	84	0.81	132	336	32.1										
LCP3-1.34-47	1.34	47	127	0.67	188	508	32.3										
LCP3-1.12-68	1.12	68	188	0.56	272	752	32.4										
LCP3-0.94-100	0.94	100	250	0.47	400	1000	32.2										
LCP3-0.76-150	0.76	150	346	0.38	600	1384	31.8										
LCP3-0.62-220	0.62	220	478	0.31	880	1912	31.2										
LCP3-0.50-330	0.50	330	671	0.25	1320	2684	30.4										
LCP3-0.42-470	0.42	470	1003	0.21	1880	4012	30.5										
LCP3-0.36-680	0.36	680	1500	0.18	2720	6000	32.3										

AMGIS, LLC * 10830 Kinghurst Dr. Houston, TX 77099

Phone: 832-775-1319 * Fax: 281-933-9067* email: sales@amgistoroids.com

Toll Free: 877-762-6447 * www.amgistoroids.com

LCP Series • Miniature High Current Toroidal Inductors

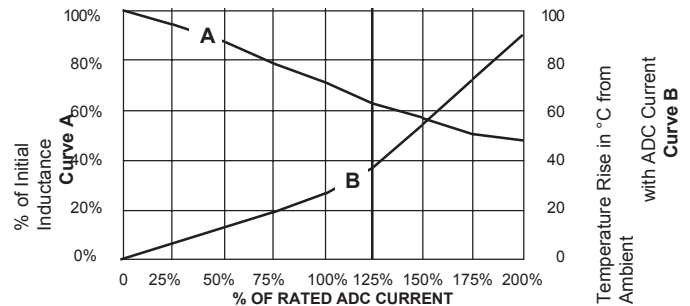
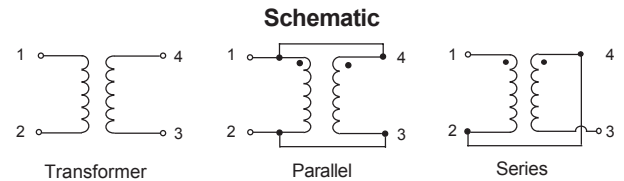
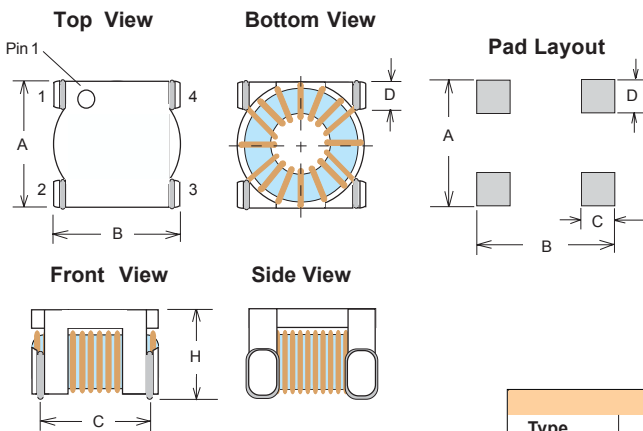
Part Number	Parallel Connected			Series Connected			Energy Storage (μJ) *	Dimensions Inches (Millimeters)				
	Full Load Current (A _{DC})	L _O (μH) ±15% No Load	DCR mOhm	Full Load Current (A _{DC})	L _O (μH) ±15% No Load	DCR mOhm		A	B	C	D	H
LCP4-7.40-2.2	7.40	2.2	5	3.70	8.8	20	0.472 (12.0)	0.472 (12.0)	0.402 (10.2)	0.082 (2.2)	0.276 (7.0)	
LCP4-4.80-4.7	4.80	4.7	9	2.40	18.8	36						
LCP4-3.36-10	3.36	10	21	1.68	40	84						
LCP4-2.80-15	2.80	15	35	1.40	60	140						
LCP4-2.30-22	2.30	22	50	1.15	88	200						
LCP4-1.86-33	1.86	33	76	0.93	132	304						
LCP4-1.56-47	1.56	47	112	0.78	188	448						
LCP4-1.32-68	1.32	68	167	0.66	272	668						
LCP4-1.06-100	1.08	100	250	0.54	400	1000						
LCP4-0.88-150	0.88	150	307	0.44	600	1228						
LCP4-0.72-220	0.72	220	470	0.36	880	1880						
LCP4-60-330	0.60	330	657	0.30	1320	2628						
LCP4-0.50-470	0.50	470	900	0.25	1880	3600						
LCP4-0.40-680	0.40	680	1355	0.20	2720	5420						
LCP4-0.34-1000	0.34	1000	2042	0.17	4000	8168						
LCP5-6.40-4.7	6.40	4.7	7	3.20	18.8	28						0.472 (12.0)
LCP5-4.50-10	4.50	10	16	2.25	40	64						
LCP5-3.50-15	3.50	15	28	1.75	60	112						
LCP5-3.00-22	3.00	22	38	1.50	88	152						
LCP5-2.44-33	2.44	33	52	1.22	1.32	2.08						
LCP5-2.04-47	2.04	47	72	1.02	188	288						
LCP5-1.70-68	1.70	68	86	0.85	272	344						
LCP5-1.40-100	1.40	100	128	0.70	400	512						
LCP5-1.16-150	1.16	150	218	0.58	600	872						
LCP5-0.94-220	0.94	220	298	0.47	880	1192						
LCP5-0.78-330	0.78	330	451	0.39	1320	1804						
LCP5-0.64-470	0.64	470	604	0.32	1880	2416						
LCP5-0.54-680	0.54	680	934	0.27	2720	3736						
LCP5-0.44-1000	0.44	1000	1629	0.22	4000	6516						
LCP5-0.36-1500	0.36	1500	2483	0.18	6000	9932						
LCP5-0.30-2200	0.30	2200	3773	0.15	8800	15092						

AMGIS engineering staff can assist in the design of other inductance values and sizes.

Notes:

1. L(μH): Inductance is tested at 10mV and 10 kHz.
2. The μJoule rating ($\frac{1}{2}LI^2$) is the ability of the inductor to store energy.

Dimensions



Pad Dimensions				
Type	A	B	C	D
LCP-1	8.0	7.0	2.5	2.5
LCP-2	10.0	9.0	3.0	3.0
LCP-3	12.0	11.0	3.0	3.0
LCP-4 & 5	13.0	12.0	3.5	3.5

Dimensions: Inches (Millimeters)
Tolerance: ±0.010 (0.25) unless specified otherwise
Surface Coplanarity will be <0.006(0.15)