



Chipsmall Limited consists of a professional team with an average of over 10 year of expertise in the distribution of electronic components. Based in Hongkong, we have already established firm and mutual-benefit business relationships with customers from,Europe,America and south Asia,supplying obsolete and hard-to-find components to meet their specific needs.

With the principle of “Quality Parts,Customers Priority,Honest Operation,and Considerate Service”,our business mainly focus on the distribution of electronic components. Line cards we deal with include Microchip,ALPS,ROHM,Xilinx,Pulse,ON,Everlight and Freescale. Main products comprise IC,Modules,Potentiometer,IC Socket,Relay,Connector.Our parts cover such applications as commercial,industrial, and automotives areas.

We are looking forward to setting up business relationship with you and hope to provide you with the best service and solution. Let us make a better world for our industry!



Contact us

Tel: +86-755-8981 8866 Fax: +86-755-8427 6832

Email & Skype: info@chipsmall.com Web: www.chipsmall.com

Address: A1208, Overseas Decoration Building, #122 Zhenhua RD., Futian, Shenzhen, China



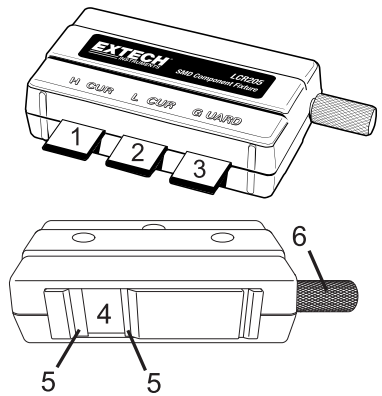
LCR205 SMD Component Fixture

This chip component fixture is for use with the Extech LCR200 LCR meter.

Adjustment range: 0 to .375 "(0.95cm)

Terminals: 3 blades: High (1), Low (2), Guard (3)

The Adjustment knob (6) will clamp the measurement contacts (5) to the SMD component (4).



LCR205 muebles de componentes SMD

Este accesorio componente chip para usar con el medidor Extech LCR200 LCR.

Rango de ajuste: de 0 a .375 " (0.95cm)

Terminales: 3 palas: Alto (1), Bajo (2), de la Guardia (3)

La perilla de ajuste (6) se sujete los contactos de medición (5) para el componente SMD (4).

LCR205 SMD Mobilier de composants

Ce luminaire de composants de puce est à utiliser avec le compteur Extech LCR200 LCR.

Plage de réglage: 0 à 0.375 "(0,95 cm)

Terminaux: 3 pales: Haut (1), Bas (2), de la Garde (3)

Le bouton de réglage (6) se serrer les contacts de mesure (5) pour le composant SMD (4).

LCR205 SMD-Bauteil Möbel

Dieser Chip Komponente Leuchte ist für den Einsatz mit dem Extech LCR200 LCR-Meter.

Einstellbereich: 0 bis 0,375 "(0.95cm)

Anschlüsse: 3 Klingen: High (1), Low (2), Guard (3)

Der Einstellknopf (6) wird die Messung Kontakte zu den (5) SMD-Bauelement zu spannen (4).

LCR205 SMD fissaggio dei componenti

Questo dispositivo è componente chip per l'utilizzo con il misuratore Extech LCR200 LCR.

Campo di regolazione: da 0 a .375 "(0,95 centimetri)

Terminali: 3 lame: alta (1), bassa (2), Guardia (3)

La manopola di regolazione (6) sarà bloccare i contatti di misura (5) al componente SMD (4).

Fixação de componentes SMD LCR205

Este chip é componente elétrico para uso com o medidor Extech LCR LCR200.

Faixa de ajuste: 0 a .375 "(0,95 centímetros)

Terminais: 3 lâminas: Alto (1), Baixo (2), Guarda (3)

O botão de ajuste (6) vai apertar os contatos de medição (5) para o componente SMD (4).

Copyright © 2013 FLIR Systems, Inc.

All rights reserved including the right of reproduction in whole or in part in any form

www.extech.com