



Chipsmall Limited consists of a professional team with an average of over 10 year of expertise in the distribution of electronic components. Based in Hongkong, we have already established firm and mutual-benefit business relationships with customers from,Europe,America and south Asia,supplying obsolete and hard-to-find components to meet their specific needs.

With the principle of "Quality Parts,Customers Priority,Honest Operation,and Considerate Service",our business mainly focus on the distribution of electronic components. Line cards we deal with include Microchip,ALPS,ROHM,Xilinx,Pulse,ON,Everlight and Freescale. Main products comprise IC,Modules,Potentiometer,IC Socket,Relay,Connector.Our parts cover such applications as commercial,industrial, and automotives areas.

We are looking forward to setting up business relationship with you and hope to provide you with the best service and solution. Let us make a better world for our industry!



## Contact us

Tel: +86-755-8981 8866 Fax: +86-755-8427 6832

Email & Skype: info@chipsmall.com Web: www.chipsmall.com

Address: A1208, Overseas Decoration Building, #122 Zhenhua RD., Futian, Shenzhen, China

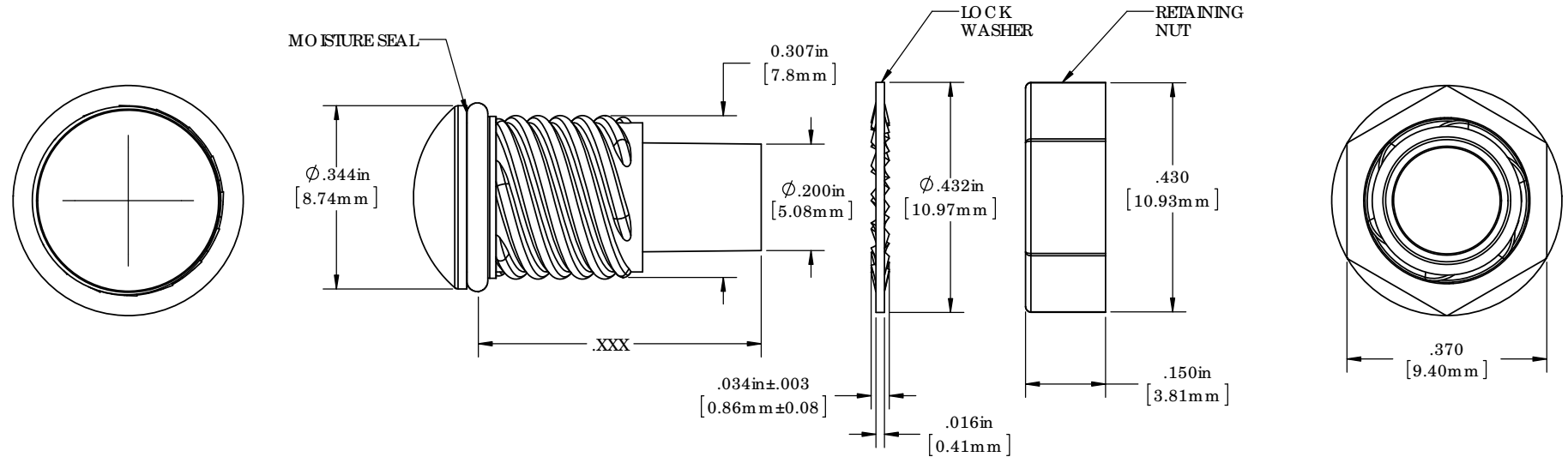
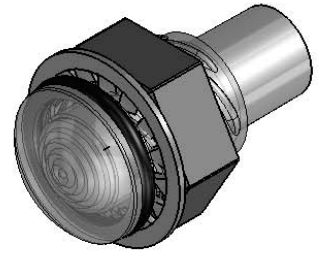


8 7 6 5 4 3 2 1

**NOTES:**

1. MOUNTING: Mounts in a  $\phi .312 \pm .002$  ( $\phi 7.92\text{mm} \pm 0.051$ ) panel hole on .500 (12.7mm) centers. Panel thickness .031 (.8mm) to .125 (3.18mm). Panel hole shall be deburred, but not chamfered.
2. ASSEMBLY: Insert Litepipe through the panel hole, slide lock washer onto lens barrel on litepipe and twist on retaining ring. Slide PCB into position aligning LED with the end of the Litepipe unit.
3. MATERIAL: Litepipe - Acrylic ( Clear optical grade) UL 94-HB  
 Lens - Polycarbonate UL 94-V2  
 Seal - EPDM  
 Lock washer - FH Steel, Nickel Plate  
 Retaining Nut - Thermoplastic (white) UL 94-V0
4. Meets NEMA 6P/IP 67 standards
5. U.S. & Foreign Pat. Issued

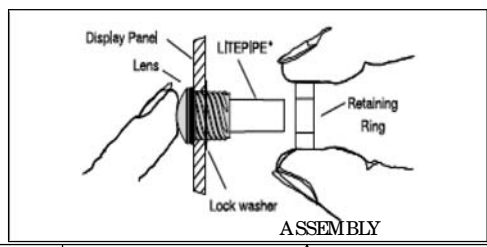
REVISIONS					
EC N #	REV.	DESCRIPTION	DATE	INITIALS	CHKD
	001	REVISED PER EC R 111009AZ01	8/18/10	KH	DZ
	002	MODIFIED GENERAL TO LERANCE XX	11/29/11	KH	AZ



ORDERING CODE: **LCS XXX XXX**

LITEPIPE		LENS	
XXX =	LENGTH	XXX =	COLOR
032	.320"	RTP	RED TRANSPARENT
052	.520"	ATP	AMBER TRANSPARENT
072	.720"	GTP	GREEN TRANSPARENT
092	.92"	BTP	BLUE TRANSPARENT
112	1.12"	YTP	YELLOW TRANSPARENT
132	1.32"	CTP	CLEAR TRANSPARENT

CUSTOM LENGTHS AVAILABLE UPON REQUEST



DIMENSION STYLE: INCHES (MM) GENERAL TOLERANCES UNLESS OTHERWISE SPECIFIED		APPROVAL	DATE
INCHES	MM	DRAWN KHOWARD	8/18/10
X	± .020	CHECKED DPZ	8/19/10
XX	± .015		
XXX	± .005		
ANGLE 1			
THIRD ANGLE PROJECTION			
PROPRIETARY AND CONFIDENTIAL			
THE INFORMATION CONTAINED IN THIS DRAWING IS THE SOLE PROPERTY OF VISUAL COMMUNICATIONS COMPANY, INC. ANY REPRODUCTION IN PART OR AS A WHOLE WITHOUT THE WRITTEN PERMISSION OF VISUAL COMMUNICATIONS COMPANY, INC IS PROHIBITED.		MATERIAL SEE NOTES	
		FINISH SEE NOTES	
		DO NOT SCALE DRAWING	

**VCC OPTOELECTRONICS**  
 190 BOSSIE KBLVD, SUITE 101 SAN MARCOS, CA 92069 USA  
 PHONE: (760) 560-1300, FAX: (760) 560-1301 EMAIL: vcc@vcc.com

TITLE: **5MM THREADED MOISTURE SEALED LITEPIPE**

SIZE DWG. NO. REV  
**B** LCS XXX XXX 002

SCALE: 5:1 SHEET 1 OF 1

8 7 6 5 4 3 2 1