



Chipsmall Limited consists of a professional team with an average of over 10 year of expertise in the distribution of electronic components. Based in Hongkong, we have already established firm and mutual-benefit business relationships with customers from,Europe,America and south Asia,supplying obsolete and hard-to-find components to meet their specific needs.

With the principle of "Quality Parts,Customers Priority,Honest Operation,and Considerate Service",our business mainly focus on the distribution of electronic components. Line cards we deal with include Microchip,ALPS,ROHM,Xilinx,Pulse,ON,Everlight and Freescale. Main products comprise IC,Modules,Potentiometer,IC Socket,Relay,Connector.Our parts cover such applications as commercial,industrial, and automotives areas.

We are looking forward to setting up business relationship with you and hope to provide you with the best service and solution. Let us make a better world for our industry!



Contact us

Tel: +86-755-8981 8866 Fax: +86-755-8427 6832

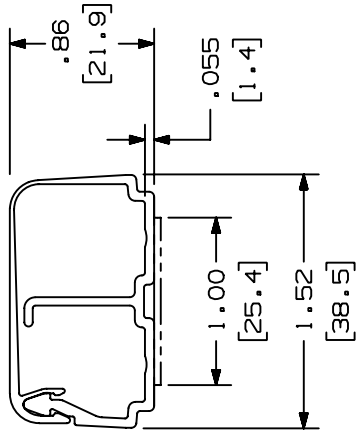
Email & Skype: info@chipsmall.com Web: www.chipsmall.com

Address: A1208, Overseas Decoration Building, #122 Zhenhua RD., Futian, Shenzhen, China

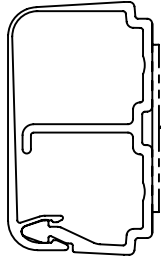


THIS COPY IS PROVIDED ON A RESTRICTED BASIS AND IS NOT TO BE USED IN ANY WAY DETRIMENTAL TO THE INTERESTS OF PANDUIT CORP.

A



D



ADHESIVE BACK PRESSURE
SENSITIVE FOAM TAPE
.040 (1.0) THICK WITH
PROTECTIVE LINER

PART NAME	PANDUIT PART NO. (** SEE NOTE 1)	LENGTH IN. (MM)	STATIC LOAD (SEE NOTE 2)	APPROXIMATE WEIGHT
DIVIDED CHANNEL POWER LATCHING DUCT	LD2P10**8-A	96.00 ±.18 (2438.4 ±4.6)	.61 LB/IN (10.9 g/mm)	.159 LB/FT (.24 g/mm)
	LD2P10**10-A	120.00 ±.18 (3048.0 ±4.6)		
	LD2P10**2-A	78.74 ±.18 (2000.0 ±4.6)		

F

C

- NOTES:**
- SEE CURRENT CATALOG FOR ADDITIONAL PART NUMBER SUFFIXES TO INDICATE COLORS AND OR PACKAGE QUANTITY. PART IS DESIGNED TO SUPPORT MAXIMUM WEIGHT ON A CLEAN, DRY, SMOOTH SURFACE.
 - TO APPLY PART:
 - REMOVE PROTECTIVE LINER.
 - PLACE PART IN DESIRED LOCATION.
 - APPLY PRESSURE TO FLAT SURFACE OF PART.
 - DIMENSIONS IN PARENTHESES ARE IN METRIC.
 - ALLOWS THE ROUTING OF POWER AND COMMUNICATIONS CABLING IN A SMALL RACEWAY.
 - NO WARRANTY, EXPRESSED OR IMPLIED, IS MADE BY PANDUIT WITH RESPECT TO ADHESIVE BOND PERFORMANCE. THE CONDITIONS UNDER WHICH THESE RACEWAYS MAY BE APPLIED AND/OR THE SURFACE TO WHICH THEY MAY BE APPLIED ARE BEYOND PANDUIT'S CONTROL.

CAD FILE NAME/LAYERS

E D35541DM_DC_LD2P10_03B.PRT (1)

PANDUIT

CORP. TINLEY PARK, ILLINOIS

DIVIDED CHANNEL POWER LATCHING DUCT (LD2P10) CUSTOMER DRAWING

UNLESS OTHERWISE SPECIFIED, DIMENSIONAL TOLERANCES ARE:
 (.X) ± (.XXX) ±.010 (.4)
 (.XX) ±.03 (.8) ANGLES ±

UNLESS OTHERWISE SPECIFIED, ALL DIMENSIONS ARE GIVEN IN INCHES, THIRD ANGLE PROJECTION.

SCALE	NONE	
MATERIAL:	RIGID PVC	
DATE	03-17-97	POLYVINYL CHLORIDE
CHECKED BY	CEP	
DRAWING NO.	35541-65	
SIZE	A	

REV	DATE	BY	CHK	DESCRIPTION	ECN	CHK	CUST	SUP
4	03-08-04	JHEP	RGRO	F. REMOVED PART NUMBER LD2P10**3-A	35541-65	RGRO		
3	06-12-03	JBN	HIW	E. CAD FILE WAS D35541DM_TH_DW_LD10_02 D. REVISED TAPE WIDTH: WAS 1.25 [31.8]	35541-65	HIW	HIW	
2	05-21-98	RABO	HIW	C. ADDED 3M LENGTH	35541-65	HIW	HIW	
1	09-17-96	PM	HIW	B. REVISE NOTES A. REVISE CHART: REMOVE 72 IN. LENGTH	35541-65	HIW	HIW	
R	03-17-97	PM	CEF	RELEASED TO PRODUCTION	35541-65	CEF	CEF	