



Chipsmall Limited consists of a professional team with an average of over 10 year of expertise in the distribution of electronic components. Based in Hongkong, we have already established firm and mutual-benefit business relationships with customers from,Europe,America and south Asia,supplying obsolete and hard-to-find components to meet their specific needs.

With the principle of “Quality Parts,Customers Priority,Honest Operation,and Considerate Service”,our business mainly focus on the distribution of electronic components. Line cards we deal with include Microchip,ALPS,ROHM,Xilinx,Pulse,ON,Everlight and Freescale. Main products comprise IC,Modules,Potentiometer,IC Socket,Relay,Connector.Our parts cover such applications as commercial,industrial, and automotives areas.

We are looking forward to setting up business relationship with you and hope to provide you with the best service and solution. Let us make a better world for our industry!



## Contact us

Tel: +86-755-8981 8866 Fax: +86-755-8427 6832

Email & Skype: info@chipsmall.com Web: www.chipsmall.com

Address: A1208, Overseas Decoration Building, #122 Zhenhua RD., Futian, Shenzhen, China



# LD6816 series

Ultra low dropout regulators, low noise, 150 mA

Rev. 1 — 28 September 2012

Product data sheet

## 1. Product profile

---

### 1.1 General description

The LD6816 series is a small-size Low DropOut regulator (LDO) family with a typical voltage drop of 45 mV at 150 mA current rating. Operating voltages can range from 2.3 V to 5.5 V. The devices are available with fixed output voltages between 1.2 V and 3.6 V.

In disabled mode the LD6816CX4/xxH devices show a high-ohmic state at the output pin, while the LD6816CX4/xxP and LD6816CX4/CxxP devices contain a pull-down switching transistor to provide a low-ohmic output state (auto discharge function).

All devices of the LD6816 series are available in a 0.4 mm pitch Wafer-Level Chip-Scale Package (WLCSP) making them ideal for use in portable applications requiring component miniaturization. All devices are manufactured in monolithic silicon technology.

### 1.2 Features and benefits

- 150 mA output current rating
- Input voltage range from 2.3 V to 5.5 V
- Fixed output voltage between 1.2 V and 3.6 V
- Dropout voltage 45 mV at 150 mA output rating
- Low quiescent current in shutdown mode (typical 0.1  $\mu$ A)
- 30  $\mu$ V RMS output noise voltage (typical value) at 10 Hz to 100 kHz
- Turn-on time < 150  $\mu$ s
- 55 dB Power Supply Rejection Ratio (PSRR) at 1 kHz
- Over-temperature protection
- Output current limiter
- LD6816CX4/xxH: high-ohmic (3-state) output state when disabled
- LD6816CX4/xxP and LD6816CX4/CxxP: low-ohmic output state when disabled (auto discharge function)
- Integrated ESD protection up to 10 kV Human Body Model (HBM)
- WLCSP with 0.4 mm pitch and package size of 0.76 mm  $\times$  0.76 mm  $\times$  0.47 mm
- Pb-free, Restriction of Hazardous Substances (RoHS) compliant and free of halogen and antimony (dark green compliant)

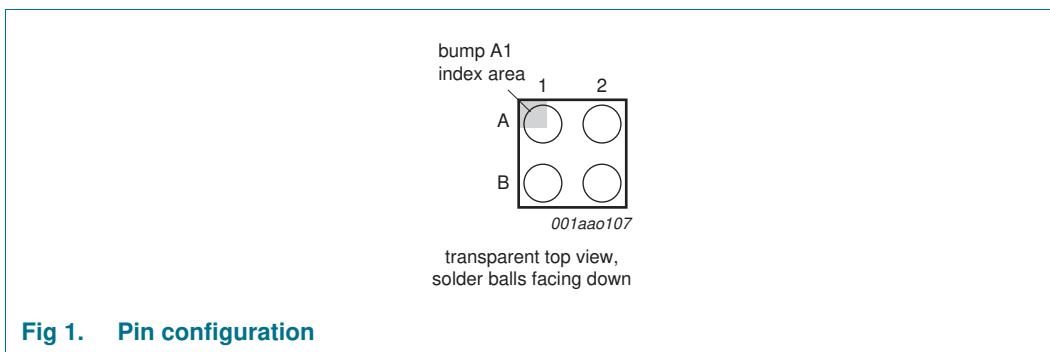
### 1.3 Applications

Analog and digital interfaces requiring lower than standard supply voltages in mobile appliances such as smart phones, mobile phone handsets and cordless telephones. Other typical applications are digital still cameras, mobile internet devices, personal navigation devices and portable media players.



## 2. Pinning information

### 2.1 Pinning



### 2.2 Pin description

Table 1. Pin description

Symbol	Pin	Description
GND	A1	supply ground
EN	A2	device enable input; active HIGH
OUT	B1	regulator output voltage
IN	B2	regulator input voltage

## 3. Ordering information

Table 2. Ordering information

Type number	Package		Version
	Name	Description	
LD6816CX4/xxx	WLCSP4	wafer-level chip-scale package; 4 bumps (2 × 2) <a href="#">[1]</a>	-
LD6816CX4/CxxP	WLCSP4	wafer-level chip-scale package with backside coating; 4 bumps (2 × 2) <a href="#">[1]</a>	-

[1] Size 0.76 mm × 0.76 mm.

### 3.1 Ordering options

Further information on output voltage is available on request; see [Section 18 “Contact information”](#).

**Table 3. Type number extension of high-ohmic output in WLCSP4**

Type number	Nominal output voltage	Type number	Nominal output voltage
LD6816CX4/12H	1.2 V	LD6816CX4/25H	2.5 V
LD6816CX4/13H	1.3 V	LD6816CX4/27H	2.7 V
LD6816CX4/14H	1.4 V	LD6816CX4/28H	2.8 V
LD6816CX4/16H	1.6 V	LD6816CX4/29H	2.9 V
LD6816CX4/18H	1.8 V	LD6816CX4/30H	3.0 V
LD6816CX4/20H	2.0 V	LD6816CX4/33H	3.3 V
LD6816CX4/22H	2.2 V	LD6816CX4/36H	3.6 V
LD6816CX4/23H	2.3 V	-	-

**Table 4. Type number extension of pull-down output in WLCSP4**

Type number	Nominal output voltage	Type number	Nominal output voltage
LD6816CX4/12P	1.2 V	LD6816CX4/23P	2.3 V
LD6816CX4/13P	1.3 V	LD6816CX4/25P	2.5 V
LD6816CX4/14P	1.4 V	LD6816CX4/27P	2.7 V
LD6816CX4/16P	1.6 V	LD6816CX4/28P	2.8 V
LD6816CX4/18P	1.8 V	LD6816CX4/29P	2.9 V
LD6816CX4/20P	2.0 V	LD6816CX4/30P	3.0 V
LD6816CX4/21P	2.1 V	LD6816CX4/33P	3.3 V
LD6816CX4/22P	2.2 V	LD6816CX4/36P	3.6 V

**Table 5. Type number extension of pull-down output in WLCSP4 with backside coating**

Type number	Nominal output voltage	Type number	Nominal output voltage
LD6816CX4/C12P	1.2 V	LD6816CX4/C23P	2.3 V
LD6816CX4/C13P	1.3 V	LD6816CX4/C25P	2.5 V
LD6816CX4/C14P	1.4 V	LD6816CX4/C27P	2.7 V
LD6816CX4/C16P	1.6 V	LD6816CX4/C28P	2.8 V
LD6816CX4/C18P	1.8 V	LD6816CX4/C29P	2.9 V
LD6816CX4/C20P	2.0 V	LD6816CX4/C30P	3.0 V
LD6816CX4/C21P	2.1 V	LD6816CX4/C33P	3.3 V
LD6816CX4/C22P	2.2 V	LD6816CX4/C36P	3.6 V

4. Block diagram

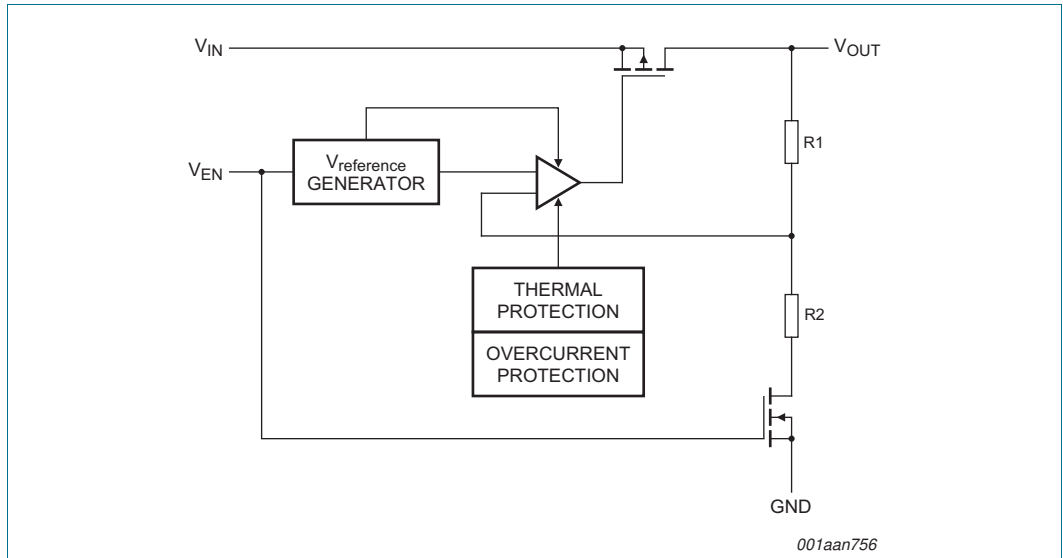


Fig 2. Block diagram of LD6816CX4/xxH

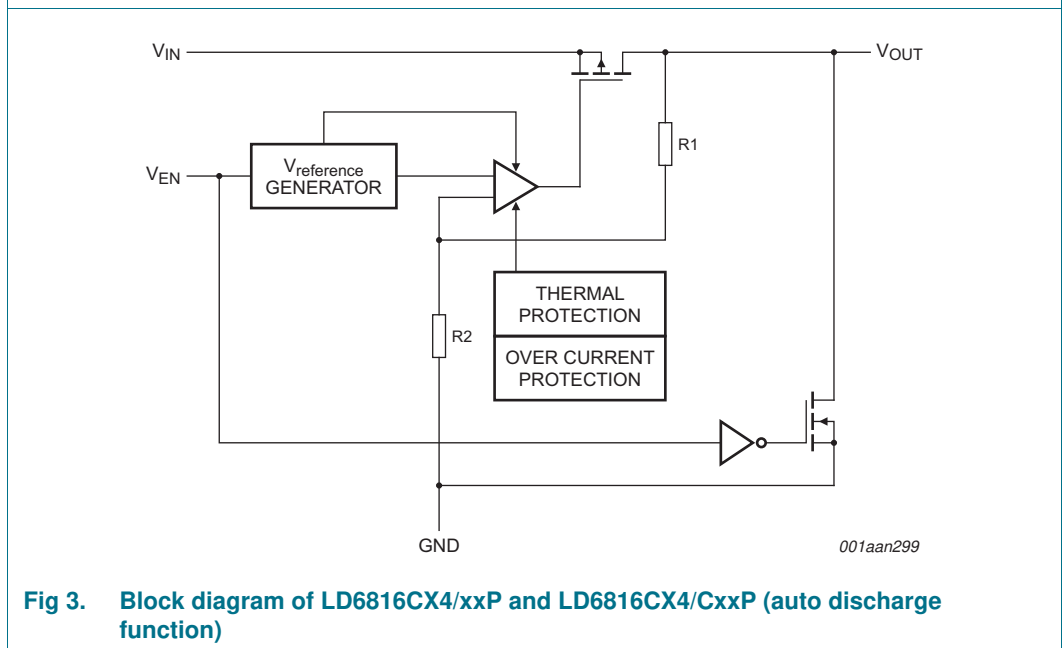


Fig 3. Block diagram of LD6816CX4/xxP and LD6816CX4/CxxP (auto discharge function)

## 5. Limiting values

**Table 6. Limiting values**

In accordance with the Absolute Maximum Rating System (IEC 60134). Voltages are referenced to GND (ground = 0 V).

Symbol	Parameter	Conditions	Min	Max	Unit
V <sub>IN</sub>	voltage on pin IN	4 ms transient	-0.5	+6.0	V
P <sub>tot</sub>	total power dissipation		[1] -	770	mW
T <sub>stg</sub>	storage temperature		-55	+150	°C
T <sub>j</sub>	junction temperature		-40	+125	°C
T <sub>amb</sub>	ambient temperature		-40	+85	°C
V <sub>ESD</sub>	electrostatic discharge voltage	human body model level 6	[2] -	±10	kV
		machine model class 3	[3] -	±400	V

- [1] The (absolute) maximum power dissipation depends on the junction temperature T<sub>j</sub>. Higher power dissipation is allowed with lower ambient temperatures. The conditions to determine the specified values are T<sub>amb</sub> = 25 °C and the use of a two layer Printed-Circuit Board (PCB).
- [2] According to IEC 61340-3-1.
- [3] According to JESD22-A115C.

## 6. Recommended operating conditions

**Table 7. Operating conditions**

Voltages are referenced to GND (ground = 0 V).

Symbol	Parameter	Conditions	Min	Typ	Max	Unit
T <sub>amb</sub>	ambient temperature		-40	-	+85	°C
T <sub>j</sub>	junction temperature		-	-	+125	°C
<b>Pin IN</b>						
V <sub>IN</sub>	voltage on pin IN		2.3	-	5.5	V
<b>Pin EN</b>						
V <sub>EN</sub>	voltage on pin EN		0	-	V <sub>IN</sub>	V
<b>Pin OUT</b>						
C <sub>L(ext)</sub>	external load capacitance		[1] 0.7	1.0	-	μF

- [1] See [Section 10.1 "Output capacitor values"](#).

## 7. Thermal characteristics

**Table 8. Thermal characteristics**

Symbol	Parameter	Conditions	Typ	Unit
R <sub>th(j-a)</sub>	thermal resistance from junction to ambient		[1][2] 130	K/W

- [1] The overall R<sub>th(j-a)</sub> can vary depending on the board layout. To minimize the effective R<sub>th(j-a)</sub>, all pins must have a solid connection to larger Cu layer areas for example to the power and ground layer. In multi-layer PCB applications, the second layer is used to create a large heat spreader area directly below the LDO. If this layer is either ground or power, it is connected with several vias to the top layer connecting to the device ground or supply. Avoid the use of solder-stop varnish under the chip.
- [2] Use the measurement data given for a rough estimation of the R<sub>th(j-a)</sub> in your application. The actual R<sub>th(j-a)</sub> value can vary in applications using different layer stacks and layouts.

## 8. Characteristics

**Table 9. Electrical characteristics**

At recommended input voltages and  $T_{amb} = -40\text{ °C}$  to  $+85\text{ °C}$ ; voltages are referenced to GND (ground = 0 V); unless otherwise specified.

Symbol	Parameter	Conditions	Min	Typ	Max	Unit
<b>Output voltage</b>						
$V_{do}$	dropout voltage	$I_{OUT} = 150\text{ mA}$ ; $V_{IN} < V_{O(nom)}$	<a href="#">1</a> -	45	75	mV
$\Delta V_O$	output voltage variation	$V_{OUT} < 1.8\text{ V}$ ; $I_{OUT} = 1\text{ mA}$				
		$T_{amb} = +25\text{ °C}$	-3	$\pm 0.5$	+3	%
		$-30\text{ °C} \leq T_{amb} \leq +85\text{ °C}$	-4	-	+4	%
		$V_{OUT} \geq 1.8\text{ V}$ ; $I_{OUT} = 1\text{ mA}$				
		$T_{amb} = +25\text{ °C}$	-2	$\pm 0.5$	+2	%
		$-30\text{ °C} \leq T_{amb} \leq +85\text{ °C}$	-3	-	+3	%
<b>Line regulation error</b>						
$\Delta V_O / (V_O \times \Delta V_I)$	relative output voltage variation with input voltage	$V_{IN} = (V_{O(nom)} + 0.2\text{ V})$ to $5.5\text{ V}$	<a href="#">1</a> -0.1	-	+0.1	%/V
<b>Load regulation error</b>						
$\Delta V_O / (V_O \times \Delta I_O)$	relative output voltage variation with output current	$1\text{ mA} \leq I_{OUT} \leq 150\text{ mA}$	-	0.0025	0.01	%/mA
<b>Output current</b>						
$I_{OUT}$	current on pin OUT		-	-	150	mA
$I_{OM}$	peak output current	$V_{IN} = (V_{O(nom)} + 0.2\text{ V})$ to $5.5\text{ V}$	<a href="#">1</a>			
		$V_{O(nom)} \geq 1.8\text{ V}$ ; $V_{OUT} = 0.95 \times V_{O(nom)}$	300	-	-	mA
		$V_{O(nom)} < 1.8\text{ V}$ ; $V_{OUT} = 0.9 \times V_{O(nom)}$	300	-	-	mA
$I_{sc}$	short-circuit current	pin OUT	-	600	-	mA
<b>Regulator quiescent current</b>						
$I_q$	quiescent current	$V_{EN} = 1.4\text{ V}$ ; $I_{OUT} = 0\text{ mA}$	-	70	100	$\mu\text{A}$
		$V_{EN} = 1.4\text{ V}$ ; $1\text{ mA} \leq I_{OUT} \leq 150\text{ mA}$	-	155	250	$\mu\text{A}$
		$V_{EN} \leq 0.4\text{ V}$	-	0.1	1	$\mu\text{A}$
<b>Ripple rejection and output noise</b>						
PSRR	power supply rejection ratio	$V_{IN} = V_{O(nom)} + 1.0\text{ V}$ ; $I_{OUT} = 1\text{ mA}$ ; $f_{ripple} = 1\text{ kHz}$	<a href="#">1</a> -	-55	-	dB
$V_{n(o)(RMS)}$	RMS output noise voltage	$f_{ripple} = 10\text{ Hz}$ to $100\text{ kHz}$ ; $C_{L(ext)} = 1\text{ }\mu\text{F}$	-	30	-	$\mu\text{V}$
<b>Enable input and timing</b>						
$V_{IL}$	LOW-level input voltage	pin EN	0	-	0.4	V
$V_{IH}$	HIGH-level input voltage	pin EN	1.1	-	5.5	V
$t_{startup(reg)}$	regulator start-up time	$V_{IN} = 5.5\text{ V}$ ; $V_{OUT} = 0.95 \times V_{O(nom)}$ ; $I_{OUT} = 150\text{ mA}$ ; $C_{L(ext)} = 1\text{ }\mu\text{F}$	<a href="#">1</a> -	150	-	$\mu\text{s}$

**Table 9. Electrical characteristics ...continued**

At recommended input voltages and  $T_{amb} = -40\text{ }^{\circ}\text{C}$  to  $+85\text{ }^{\circ}\text{C}$ ; voltages are referenced to GND (ground = 0 V); unless otherwise specified.

Symbol	Parameter	Conditions	Min	Typ	Max	Unit
<b>LD6816CX4/xxP and LD6816CX4/CxxP; auto discharge function</b>						
$t_{sd(reg)}$	regulator shutdown time	$V_{IN} = 5.5\text{ V}$ ; $V_{OUT} = 0.05 \times V_{O(nom)}$ ; $C_{L(ext)} = 1\text{ }\mu\text{F}$	-	300	-	$\mu\text{s}$
$R_{pd}$	pull-down resistance		-	100	-	$\Omega$
<b>Over-temperature protection</b>						
$T_{sd}$	shutdown temperature		-	160	-	$^{\circ}\text{C}$
$T_{sd(hys)}$	shutdown temperature hysteresis		-	20	-	$^{\circ}\text{K}$

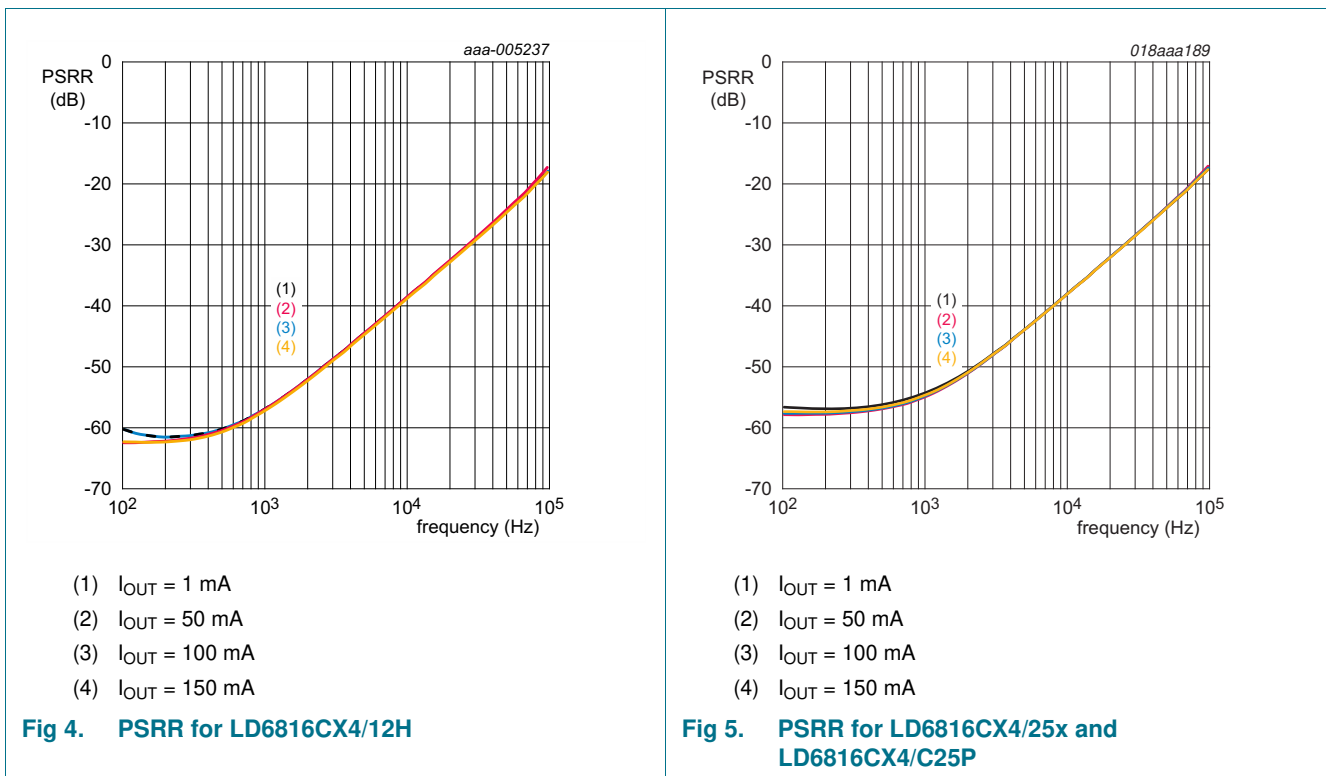
[1]  $V_{O(nom)}$  = nominal output voltage (device specific).

## 9. Dynamic behavior

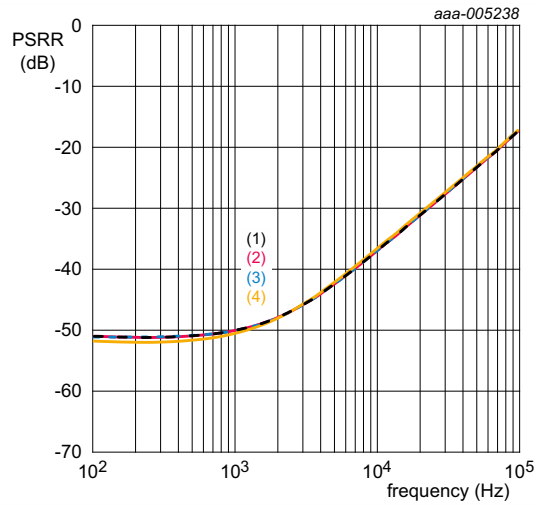
### 9.1 Power Supply Rejection Ratio (PSRR)

PSRR stands for the capability of the regulator to suppress unwanted signals on the input voltage like noise or ripples.

$$PSRR[dB] = 20 \log \frac{V_{out(ripple)}}{V_{in(ripple)}} \text{ for all frequencies.}$$







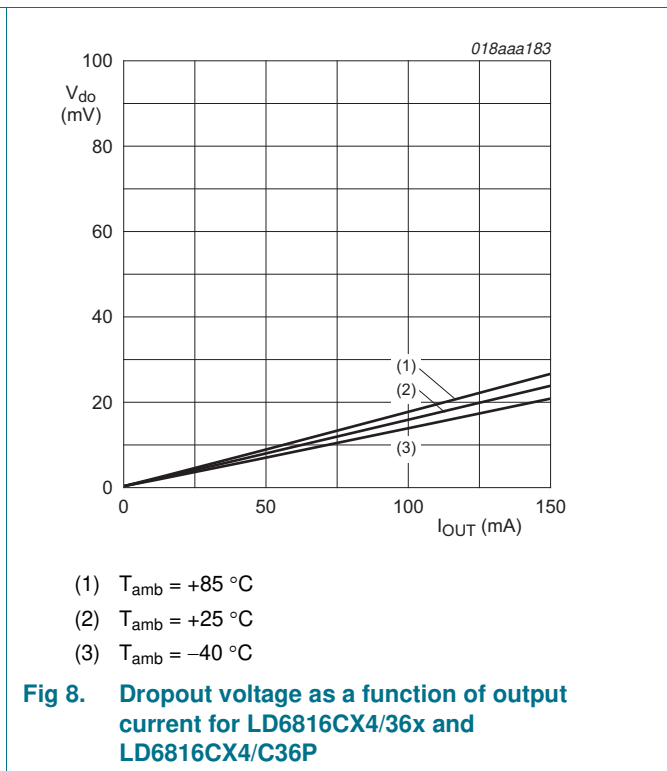
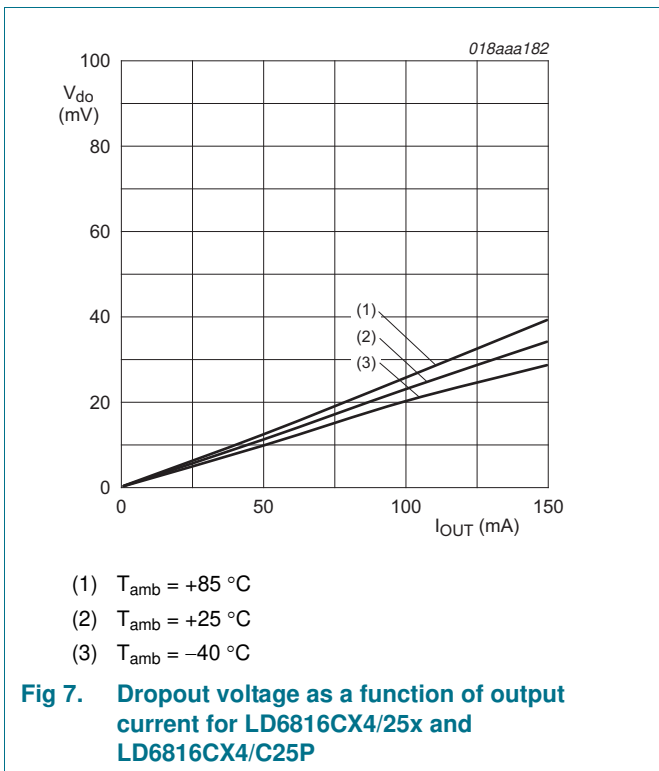
- (1)  $I_{OUT} = 1\text{ mA}$
- (2)  $I_{OUT} = 50\text{ mA}$
- (3)  $I_{OUT} = 100\text{ mA}$
- (4)  $I_{OUT} = 150\text{ mA}$

Fig 6. PSRR for LD6816CX4/36H

### 9.2 Dropout

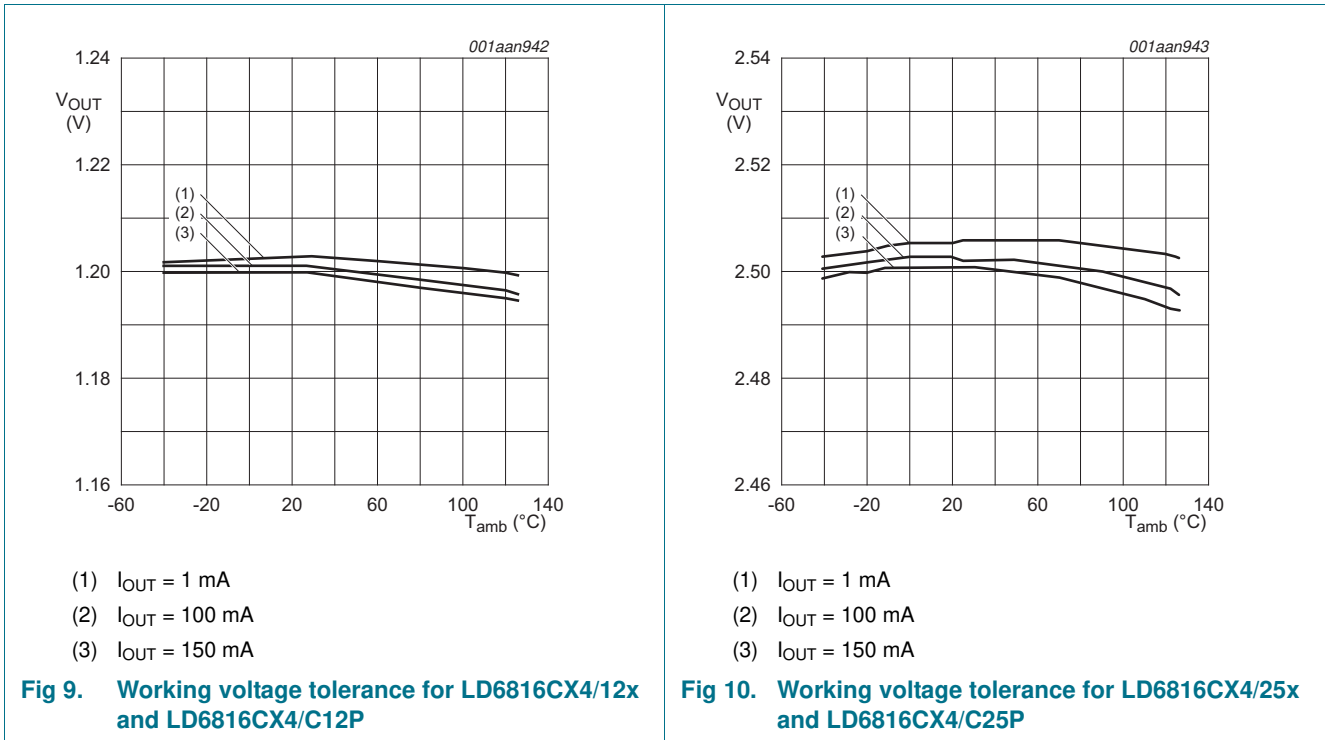
The dropout voltage is defined as the smallest input to output voltage difference at a specified load current when the regulator operates within its linear region. This means that the input voltage is below the nominal output voltage value and the pass transistor works as a plain resistor.

A small dropout voltage guarantees lower power consumption and efficiency maximization.



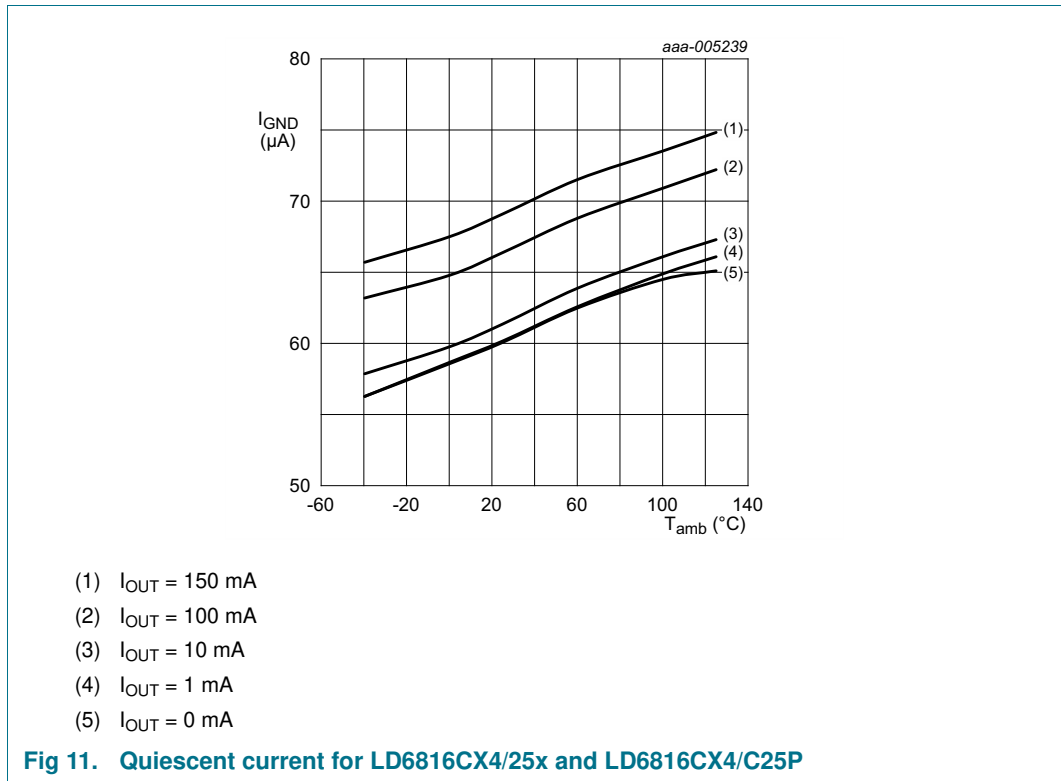
### 9.3 Accuracy

The LD6816 series guarantees high accuracy of the nominal output voltage.



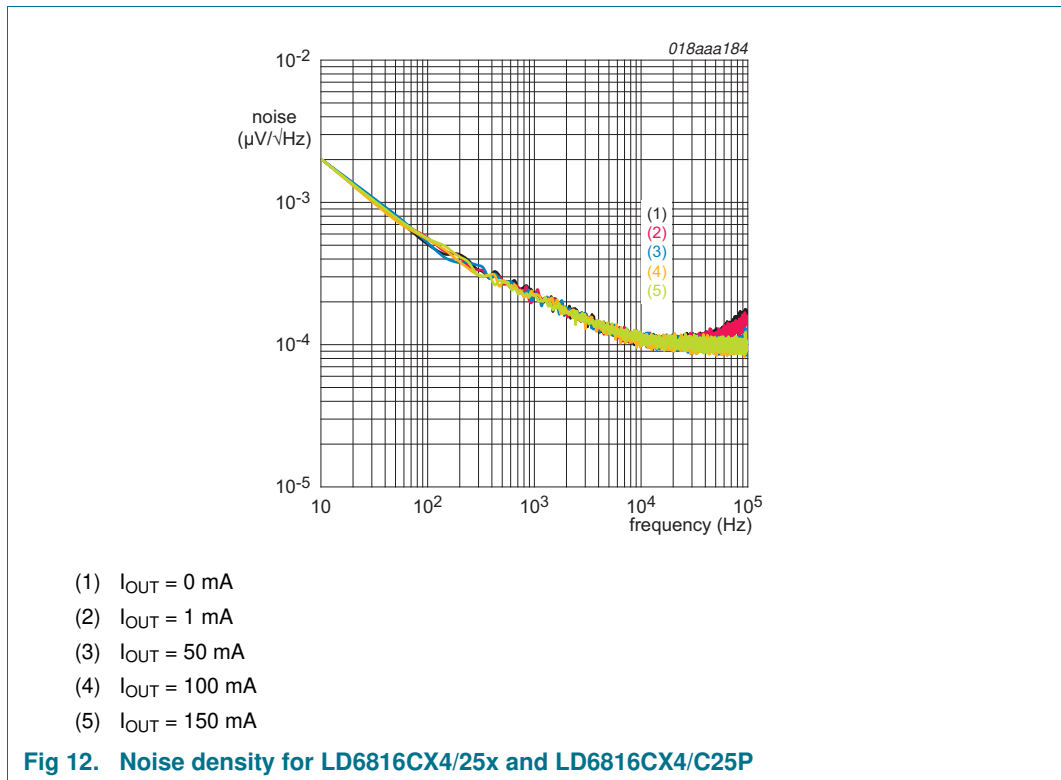
9.4 Quiescent current

Quiescent (or ground) current is the difference between input and output current of the regulator.



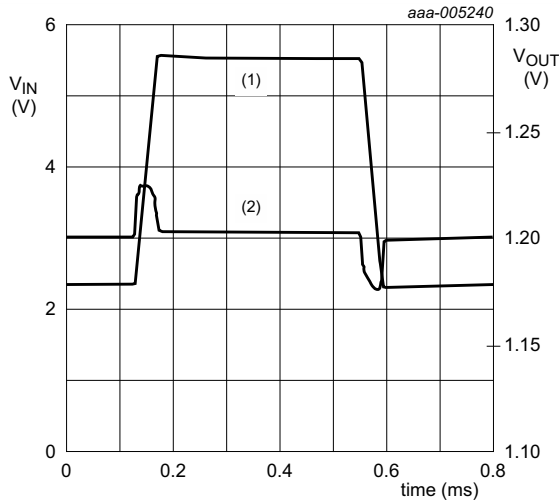
9.5 Noise

Output noise voltage of an LDO circuit is given as noise density or RMS output noise voltage over a defined frequency spectrum (10 Hz to 100 kHz). Permanent conditions are a constant output current and a ripple-free input voltage. The output noise voltage is generated by the LDO regulator.



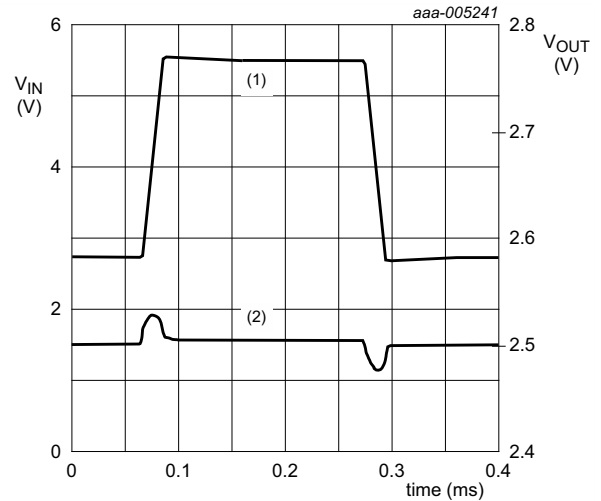
### 9.6 Line Regulation

Line regulation is the capability of the circuit to maintain the nominal output voltage while varying the input voltage.



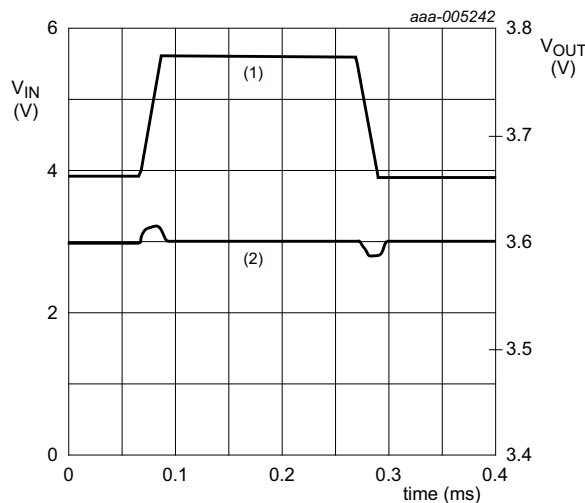
- (1)  $V_{IN}$
- (2)  $V_{OUT}$

Fig 13. Line regulation for LD6816CX4/12H



- (1)  $V_{IN}$
- (2)  $V_{OUT}$

Fig 14. Line regulation for LD6816CX4/25P and LD6816CX4/C25P

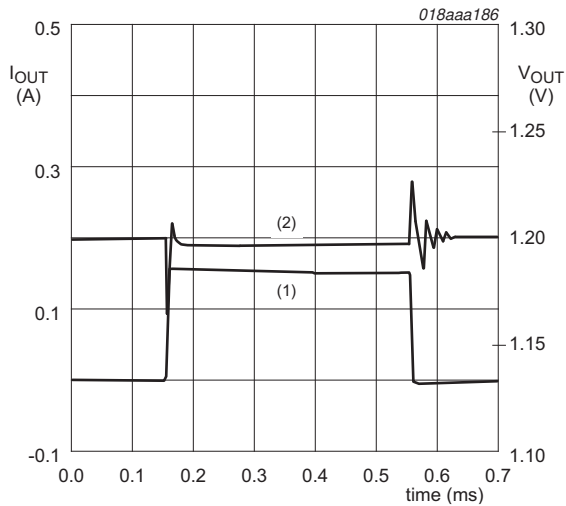


- (1)  $V_{IN}$
- (2)  $V_{OUT}$

Fig 15. Line regulation for LD6816CX4/36H

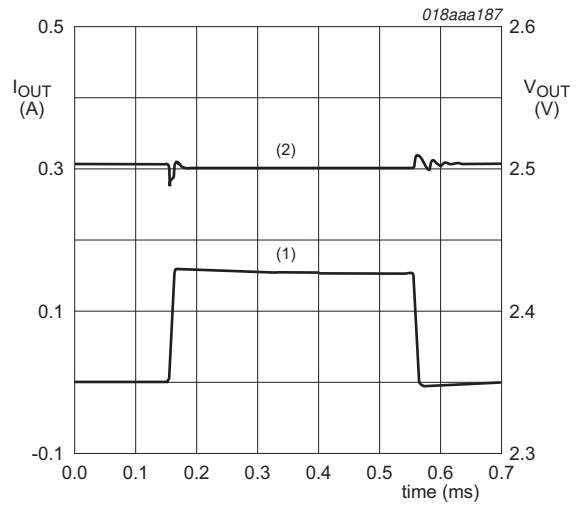
### 9.7 Load Regulation

Load regulation is the capability of the circuit to maintain the nominal output voltage while varying the output current.



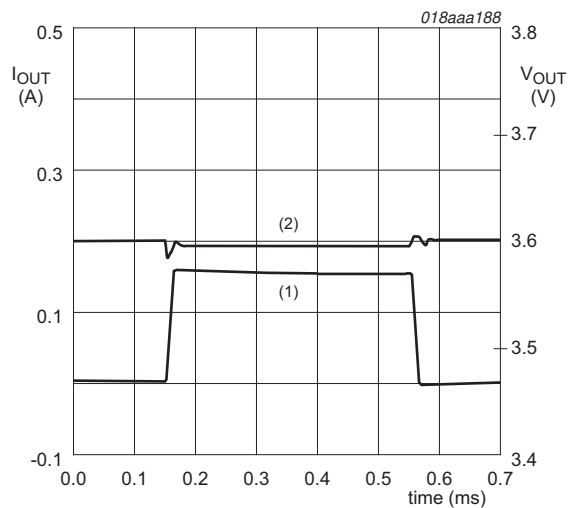
(1)  $V_{IN}$   
(2)  $V_{OUT}$

Fig 16. Load regulation for LD6816CX4/12H



(1)  $V_{IN}$   
(2)  $V_{OUT}$

Fig 17. Load regulation for LD6816CX4/25P and LD6816CX4/C25P

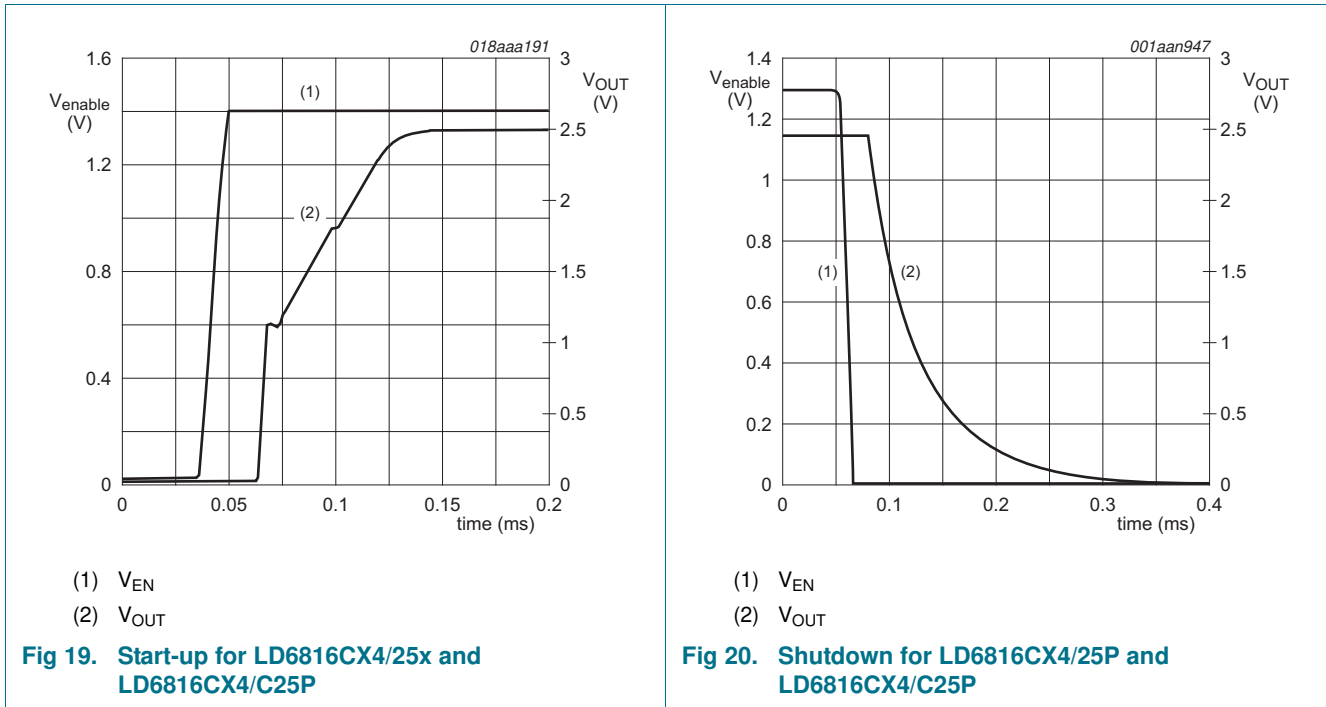


(1)  $V_{IN}$   
(2)  $V_{OUT}$

Fig 18. Load regulation for LD6816CX4/36H

**9.8 Start-up and shutdown**

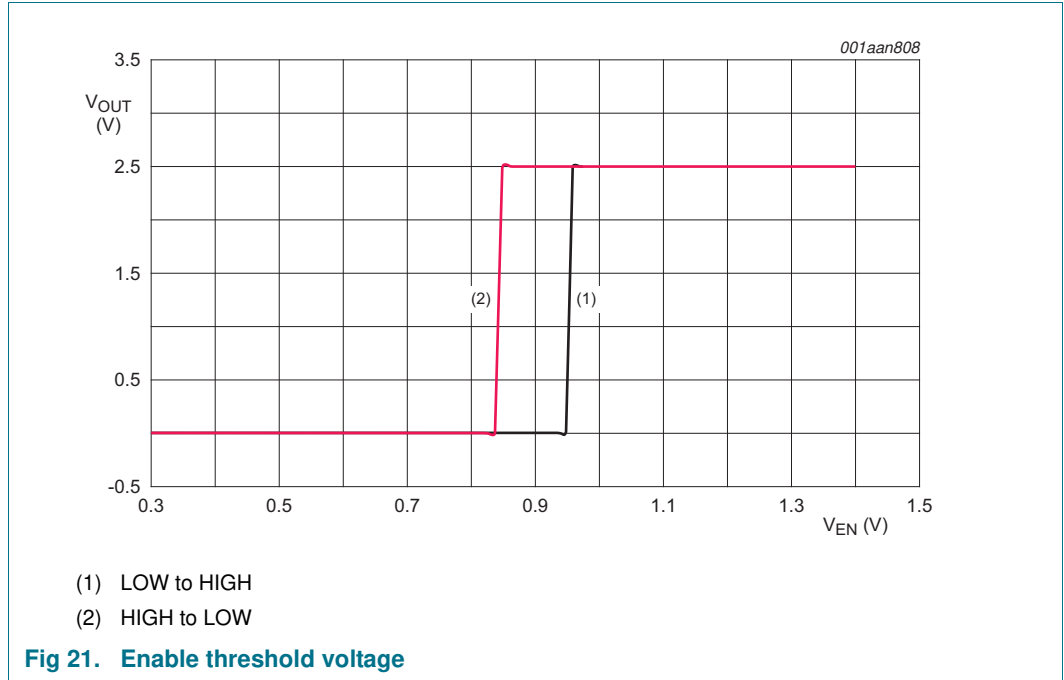
Start-up time defines the time needed for the LDO to achieve 95 % of its typical output voltage level after activation via the enable pin. Shutdown time defines the time needed for the LDO to pull-down the output voltage to 10 % of its nominal output voltage after deactivation via the enable pin.





### 9.9 Enable threshold voltage

An active HIGH signal enables the LDO when the signal exceeds the minimum input HIGH voltage threshold. The LDO is in Off state as long the signal is below the maximum LOW threshold. The input voltage threshold is independent from the LDO input voltage.



## 10. Application information

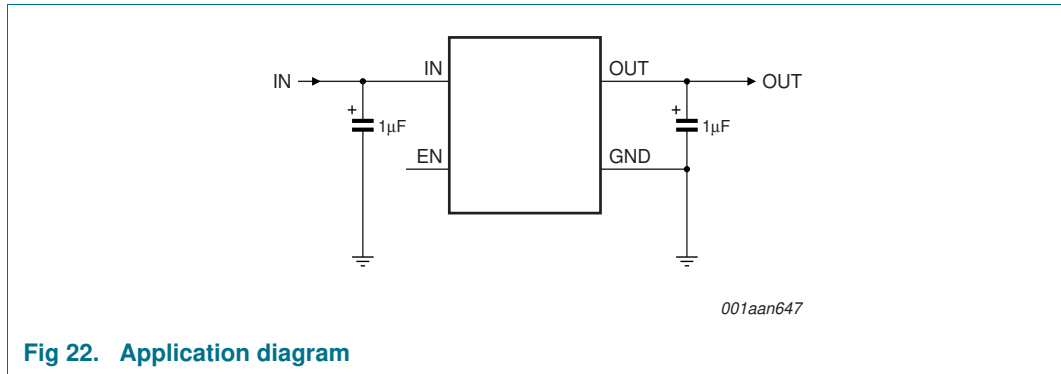
### 10.1 Output capacitor values

The LD6816 series requires external capacitors at the output to guarantee a stable regulator behavior. Do not under-run the specified minimum Equivalent Series Resistance (ESR). The absolute value of the total capacitance attached to the output pin OUT influences the shutdown time ( $t_{sd(reg)}$ ) of the LD6816 series.

**Table 10. External load capacitor**

Symbol	Parameter	Conditions	Min	Typ	Max	Unit
$C_{L(ext)}$	external load capacitance	[1]	-	1.0	-	$\mu\text{F}$
ESR	equivalent series resistance		5	-	500	$\text{m}\Omega$

[1] The minimum value of capacitance for stability and correct operation is 0.7  $\mu\text{F}$ . The specified capacitor tolerance is  $\pm 30\%$  or better over the temperature and operating conditions range. The recommended capacitor type is X7R to meet the full device temperature specification of  $-40\text{ }^\circ\text{C}$  to  $+125\text{ }^\circ\text{C}$ .



**Fig 22. Application diagram**

## 11. Test information

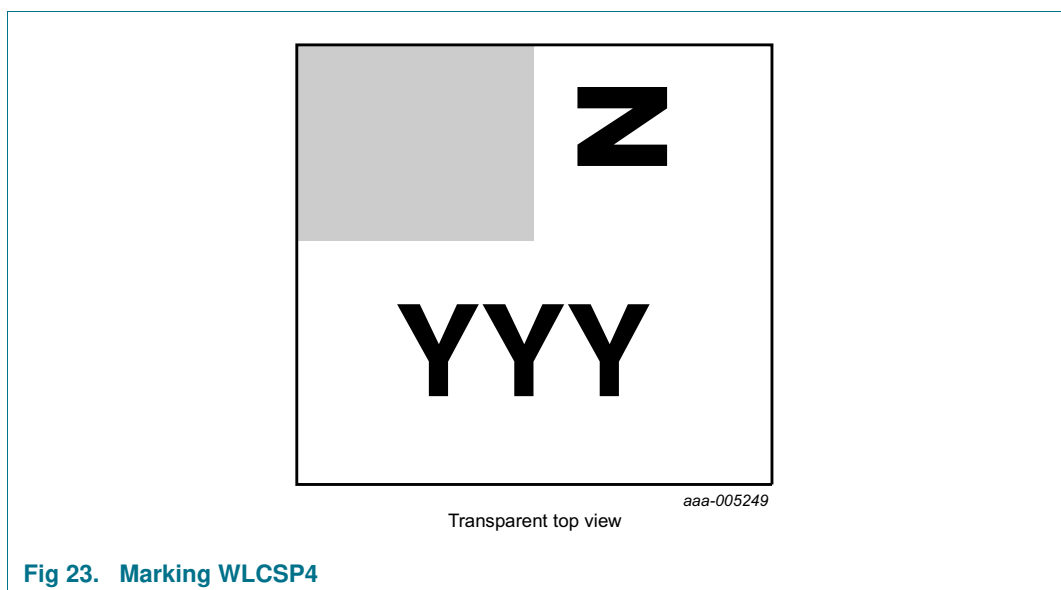
### 11.1 Quality information

This product has been qualified in accordance with *NX1-00023 NXP Semiconductors Quality and Reliability Specification* and is suitable for use in consumer applications.

## 12. Marking

WLCSP dies are laser marked with the following information (see [Table 11](#) to [13](#) and [Figure 23](#)):

1. Shaded area: marking of pin A1
2. The character N gives the version code and describes the output mode of the LDO. If the code is legible, the LDO has an integrated pull down transistor (“P” version). If the character N is rotated counterclockwise by 90°, the LDO is a “H” version.
3. “YYY” symbolizes a placeholder for some characters of the lot ID



**Fig 23. Marking WLCSP4**

Table 11. Marking code of high-ohmic output

Type number	Nominal output voltage	Marking code	Type number	Nominal output voltage	Marking code
LD6816CX4/12H	1.2 V	A	LD6816CX4/27H	2.7 V	P
LD6816CX4/14H	1.4 V	C	LD6816CX4/28H	2.8 V	Q
LD6816CX4/16H	1.6 V	D	LD6816CX4/29H	2.9 V	R
LD6816CX4/18H	1.8 V	E	LD6816CX4/30H	3.0 V	S
LD6816CX4/22H	2.2 V	K	LD6816CX4/33H	3.3 V	V
LD6816CX4/23H	2.3 V	L	LD6816CX4/36H	3.6 V	Y
LD6816CX4/25H	2.5 V	N	-	-	-

Table 12. Marking of pull-down output

Type number	Nominal output voltage	Marking code	Type number	Nominal output voltage	Marking code
LD6816CX4/12P	1.2 V	A	LD6816CX4/23P	2.3 V	L
LD6816CX4/13P	1.3 V	B	LD6816CX4/25P	2.5 V	N
LD6816CX4/14P	1.4 V	C	LD6816CX4/27P	2.7 V	P
LD6816CX4/16P	1.6 V	E	LD6816CX4/28P	2.8 V	Q
LD6816CX4/18P	1.8 V	G	LD6816CX4/29P	2.9 V	R
LD6816CX4/20P	2.0 V	I	LD6816CX4/30P	3.0 V	S
LD6816CX4/21P	2.1 V	J	LD6816CX4/33P	3.3 V	V
LD6816CX4/22P	2.2 V	K	LD6816CX4/36P	3.6 V	Y

Table 13. Marking code of pull-down output with backside coating

Type number	Nominal output voltage	Marking code	Type number	Nominal output voltage	Marking code
LD6816CX4/C12P	1.2 V	A	LD6816CX4/C23P	2.3 V	L
LD6816CX4/C13P	1.3 V	B	LD6816CX4/C25P	2.5 V	N
LD6816CX4/C14P	1.4 V	C	LD6816CX4/C27P	2.7 V	P
LD6816CX4/C16P	1.6 V	E	LD6816CX4/C28P	2.8 V	Q
LD6816CX4/C18P	1.8 V	G	LD6816CX4/C29P	2.9 V	R
LD6816CX4/C20P	2.0 V	I	LD6816CX4/C30P	3.0 V	S
LD6816CX4/C21P	2.1 V	J	LD6816CX4/C33P	3.3 V	V
LD6816CX4/C22P	2.2 V	K	LD6816CX4/C36P	3.6 V	Y

### 13. Package outline

WLCSP4: wafer level chip-size package; 4 bumps (2 x 2)

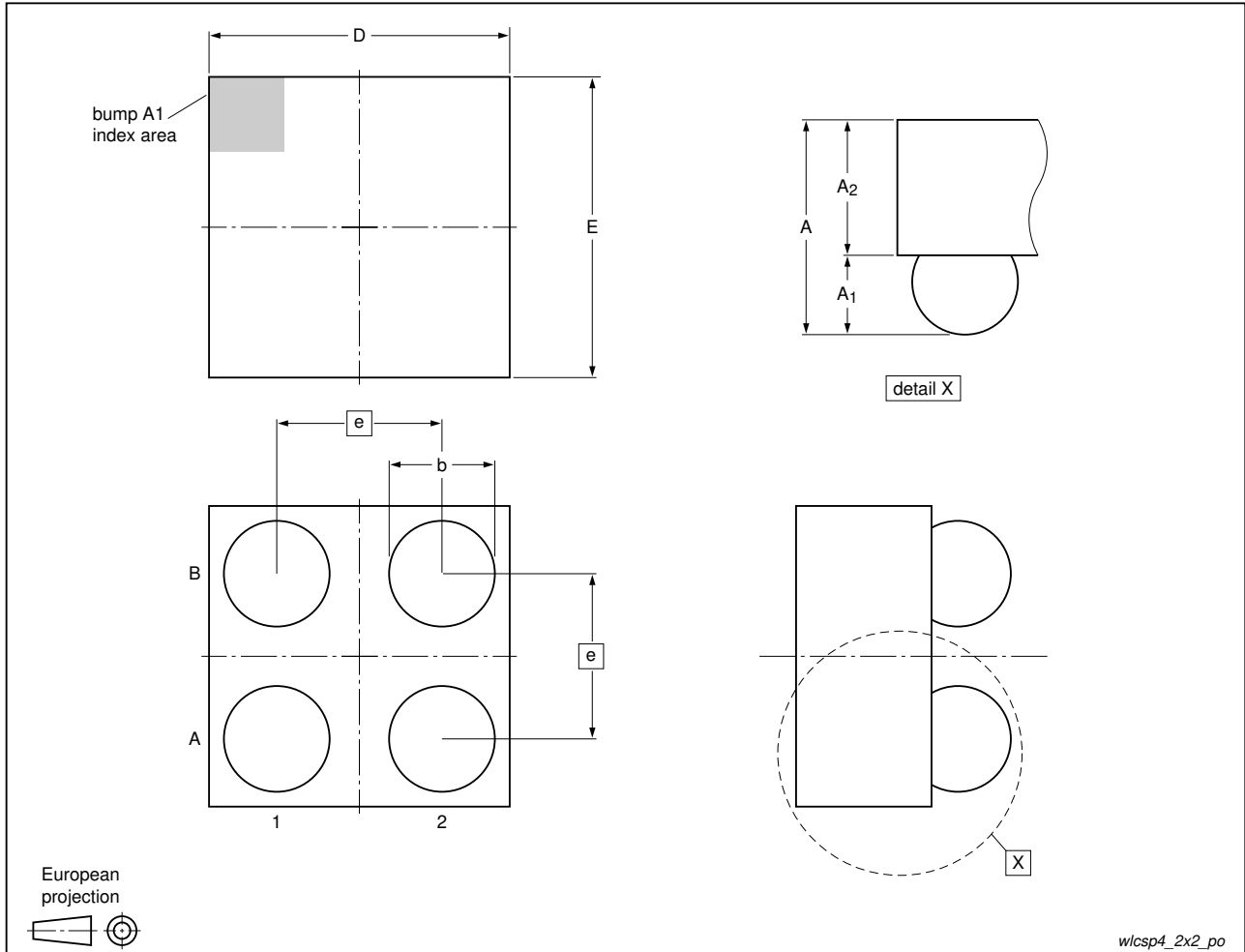


Fig 24. Package outline WLCSP4

Table 14. Dimensions for Figure 24

Symbol	Min	Typ	Max	Unit
A	0.44	0.47	0.50	mm
A <sub>1</sub>	0.18	0.20	0.22	mm
A <sub>2</sub>	0.26	0.27	0.28	mm
b	0.21	0.26	0.31	mm
D	0.71	0.76	0.81	mm
E	0.71	0.76	0.81	mm
e	-	0.4	-	mm

WLCSP4: wafer level chip-size package with backside coating; 4 bumps (2 x 2)

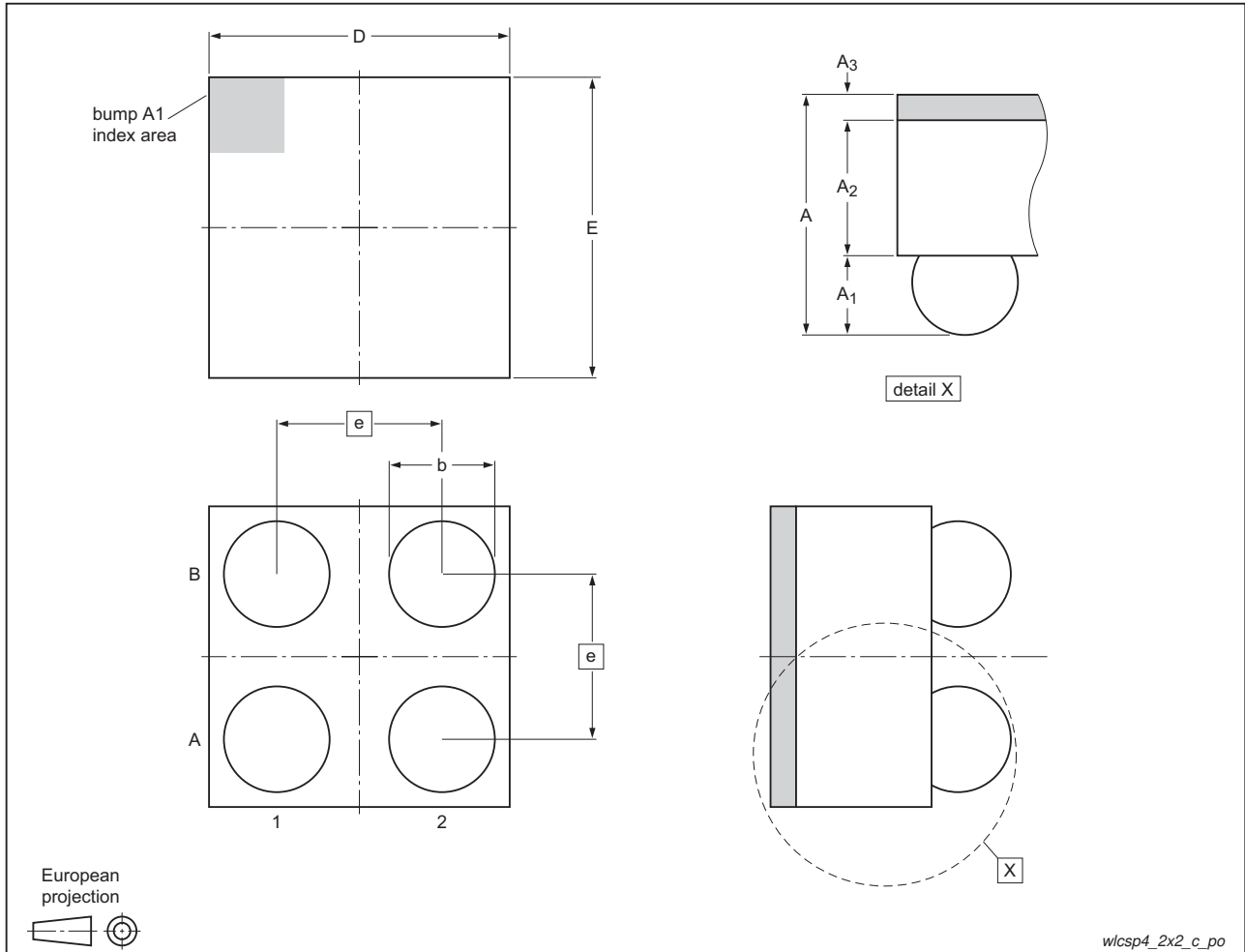


Fig 25. Package outline WLCSP4 with backside coating

Table 15. Dimensions for Figure 25

Symbol	Min	Typ	Max	Unit
A	0.47	0.51	0.55	mm
A <sub>1</sub>	0.18	0.20	0.22	mm
A <sub>2</sub>	0.26	0.27	0.28	mm
A <sub>3</sub>	0.03	0.04	0.05	mm
b	0.21	0.26	0.31	mm
D	0.71	0.76	0.81	mm
E	0.71	0.76	0.81	mm
e	-	0.4	-	mm

## 14. Soldering

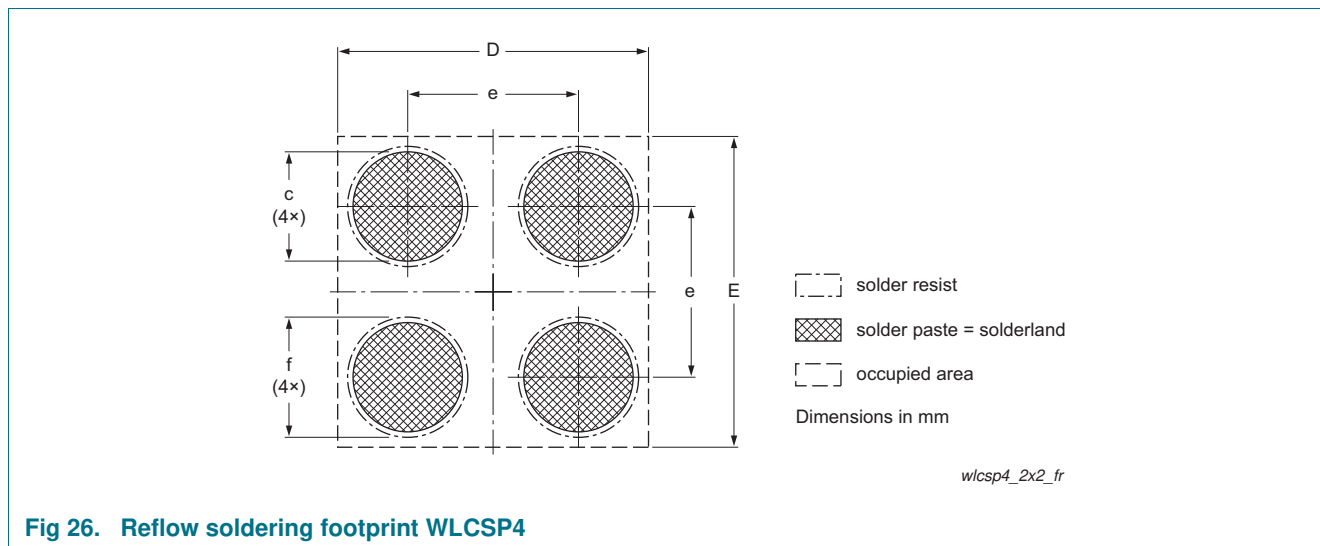


Table 16. Dimensions of for [Figure 26](#)

Symbol	Min	Typ	Max	Unit
c	-	0.25	-	mm
D	0.71	0.76	0.81	mm
E	0.71	0.76	0.81	mm
e	-	0.4	-	mm
f	-	0.325	-	mm

## 15. Soldering of SMD packages

This text provides a very brief insight into a complex technology. A more in-depth account of soldering ICs can be found in Application Note *AN10365 "Surface mount reflow soldering description"*.

### 15.1 Introduction to soldering

Soldering is one of the most common methods through which packages are attached to Printed Circuit Boards (PCBs), to form electrical circuits. The soldered joint provides both the mechanical and the electrical connection. There is no single soldering method that is ideal for all IC packages. Wave soldering is often preferred when through-hole and Surface Mount Devices (SMDs) are mixed on one printed wiring board; however, it is not suitable for fine pitch SMDs. Reflow soldering is ideal for the small pitches and high densities that come with increased miniaturization.

### 15.2 Wave and reflow soldering

Wave soldering is a joining technology in which the joints are made by solder coming from a standing wave of liquid solder. The wave soldering process is suitable for the following:

- Through-hole components

- Leaded or leadless SMDs, which are glued to the surface of the printed circuit board

Not all SMDs can be wave soldered. Packages with solder balls, and some leadless packages which have solder lands underneath the body, cannot be wave soldered. Also, leaded SMDs with leads having a pitch smaller than ~0.6 mm cannot be wave soldered, due to an increased probability of bridging.

The reflow soldering process involves applying solder paste to a board, followed by component placement and exposure to a temperature profile. Leaded packages, packages with solder balls, and leadless packages are all reflow solderable.

Key characteristics in both wave and reflow soldering are:

- Board specifications, including the board finish, solder masks and vias
- Package footprints, including solder thieves and orientation
- The moisture sensitivity level of the packages
- Package placement
- Inspection and repair
- Lead-free soldering versus SnPb soldering

### 15.3 Wave soldering

Key characteristics in wave soldering are:

- Process issues, such as application of adhesive and flux, clinching of leads, board transport, the solder wave parameters, and the time during which components are exposed to the wave
- Solder bath specifications, including temperature and impurities

### 15.4 Reflow soldering

Key characteristics in reflow soldering are:

- Lead-free versus SnPb soldering; note that a lead-free reflow process usually leads to higher minimum peak temperatures (see [Figure 27](#)) than a SnPb process, thus reducing the process window
- Solder paste printing issues including smearing, release, and adjusting the process window for a mix of large and small components on one board
- Reflow temperature profile; this profile includes preheat, reflow (in which the board is heated to the peak temperature) and cooling down. It is imperative that the peak temperature is high enough for the solder to make reliable solder joints (a solder paste characteristic). In addition, the peak temperature must be low enough that the packages and/or boards are not damaged. The peak temperature of the package depends on package thickness and volume and is classified in accordance with [Table 17](#) and [18](#)

**Table 17. SnPb eutectic process (from J-STD-020C)**

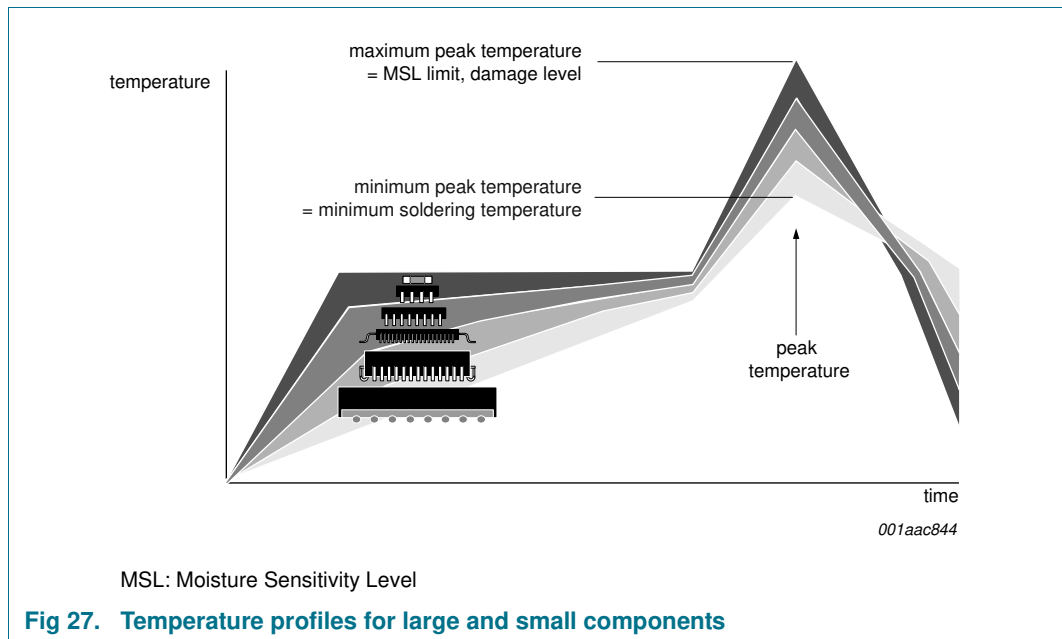
Package thickness (mm)	Package reflow temperature (°C)	
	Volume (mm <sup>3</sup> )	
	< 350	≥ 350
< 2.5	235	220
≥ 2.5	220	220

**Table 18. Lead-free process (from J-STD-020C)**

Package thickness (mm)	Package reflow temperature (°C)		
	Volume (mm <sup>3</sup> )		
	< 350	350 to 2000	> 2000
< 1.6	260	260	260
1.6 to 2.5	260	250	245
> 2.5	250	245	245

Moisture sensitivity precautions, as indicated on the packing, must be respected at all times.

Studies have shown that small packages reach higher temperatures during reflow soldering, see [Figure 27](#).



For further information on temperature profiles, refer to Application Note *AN10365 "Surface mount reflow soldering description"*.



## 16. Revision history

Table 19. Revision history

Document ID	Release date	Data sheet status	Change notice	Supersedes
LD6816_SER v.1	20120928	Product data sheet	-	-

## 17. Legal information

### 17.1 Data sheet status

Document status <sup>[1][2]</sup>	Product status <sup>[3]</sup>	Definition
Objective [short] data sheet	Development	This document contains data from the objective specification for product development.
Preliminary [short] data sheet	Qualification	This document contains data from the preliminary specification.
Product [short] data sheet	Production	This document contains the product specification.

[1] Please consult the most recently issued document before initiating or completing a design.

[2] The term 'short data sheet' is explained in section "Definitions".

[3] The product status of device(s) described in this document may have changed since this document was published and may differ in case of multiple devices. The latest product status information is available on the Internet at URL <http://www.nxp.com>.

### 17.2 Definitions

**Draft** — The document is a draft version only. The content is still under internal review and subject to formal approval, which may result in modifications or additions. NXP Semiconductors does not give any representations or warranties as to the accuracy or completeness of information included herein and shall have no liability for the consequences of use of such information.

**Short data sheet** — A short data sheet is an extract from a full data sheet with the same product type number(s) and title. A short data sheet is intended for quick reference only and should not be relied upon to contain detailed and full information. For detailed and full information see the relevant full data sheet, which is available on request via the local NXP Semiconductors sales office. In case of any inconsistency or conflict with the short data sheet, the full data sheet shall prevail.

**Product specification** — The information and data provided in a Product data sheet shall define the specification of the product as agreed between NXP Semiconductors and its customer, unless NXP Semiconductors and customer have explicitly agreed otherwise in writing. In no event however, shall an agreement be valid in which the NXP Semiconductors product is deemed to offer functions and qualities beyond those described in the Product data sheet.

### 17.3 Disclaimers

**Limited warranty and liability** — Information in this document is believed to be accurate and reliable. However, NXP Semiconductors does not give any representations or warranties, expressed or implied, as to the accuracy or completeness of such information and shall have no liability for the consequences of use of such information. NXP Semiconductors takes no responsibility for the content in this document if provided by an information source outside of NXP Semiconductors.

In no event shall NXP Semiconductors be liable for any indirect, incidental, punitive, special or consequential damages (including - without limitation - lost profits, lost savings, business interruption, costs related to the removal or replacement of any products or rework charges) whether or not such damages are based on tort (including negligence), warranty, breach of contract or any other legal theory.

Notwithstanding any damages that customer might incur for any reason whatsoever, NXP Semiconductors' aggregate and cumulative liability towards customer for the products described herein shall be limited in accordance with the *Terms and conditions of commercial sale* of NXP Semiconductors.

**Right to make changes** — NXP Semiconductors reserves the right to make changes to information published in this document, including without limitation specifications and product descriptions, at any time and without notice. This document supersedes and replaces all information supplied prior to the publication hereof.

**Suitability for use** — NXP Semiconductors products are not designed, authorized or warranted to be suitable for use in life support, life-critical or safety-critical systems or equipment, nor in applications where failure or malfunction of an NXP Semiconductors product can reasonably be expected to result in personal injury, death or severe property or environmental damage. NXP Semiconductors and its suppliers accept no liability for inclusion and/or use of NXP Semiconductors products in such equipment or applications and therefore such inclusion and/or use is at the customer's own risk.

**Applications** — Applications that are described herein for any of these products are for illustrative purposes only. NXP Semiconductors makes no representation or warranty that such applications will be suitable for the specified use without further testing or modification.

Customers are responsible for the design and operation of their applications and products using NXP Semiconductors products, and NXP Semiconductors accepts no liability for any assistance with applications or customer product design. It is customer's sole responsibility to determine whether the NXP Semiconductors product is suitable and fit for the customer's applications and products planned, as well as for the planned application and use of customer's third party customer(s). Customers should provide appropriate design and operating safeguards to minimize the risks associated with their applications and products.

NXP Semiconductors does not accept any liability related to any default, damage, costs or problem which is based on any weakness or default in the customer's applications or products, or the application or use by customer's third party customer(s). Customer is responsible for doing all necessary testing for the customer's applications and products using NXP Semiconductors products in order to avoid a default of the applications and the products or of the application or use by customer's third party customer(s). NXP does not accept any liability in this respect.

**Limiting values** — Stress above one or more limiting values (as defined in the Absolute Maximum Ratings System of IEC 60134) will cause permanent damage to the device. Limiting values are stress ratings only and (proper) operation of the device at these or any other conditions above those given in the Recommended operating conditions section (if present) or the Characteristics sections of this document is not warranted. Constant or repeated exposure to limiting values will permanently and irreversibly affect the quality and reliability of the device.

**Terms and conditions of commercial sale** — NXP Semiconductors products are sold subject to the general terms and conditions of commercial sale, as published at <http://www.nxp.com/profile/terms>, unless otherwise agreed in a valid written individual agreement. In case an individual agreement is concluded only the terms and conditions of the respective agreement shall apply. NXP Semiconductors hereby expressly objects to applying the customer's general terms and conditions with regard to the purchase of NXP Semiconductors products by customer.

**No offer to sell or license** — Nothing in this document may be interpreted or construed as an offer to sell products that is open for acceptance or the grant, conveyance or implication of any license under any copyrights, patents or other industrial or intellectual property rights.