



Chipsmall Limited consists of a professional team with an average of over 10 year of expertise in the distribution of electronic components. Based in Hongkong, we have already established firm and mutual-benefit business relationships with customers from,Europe,America and south Asia,supplying obsolete and hard-to-find components to meet their specific needs.

With the principle of “Quality Parts,Customers Priority,Honest Operation,and Considerate Service”,our business mainly focus on the distribution of electronic components. Line cards we deal with include Microchip,ALPS,ROHM,Xilinx,Pulse,ON,Everlight and Freescale. Main products comprise IC,Modules,Potentiometer,IC Socket,Relay,Connector.Our parts cover such applications as commercial,industrial, and automotives areas.

We are looking forward to setting up business relationship with you and hope to provide you with the best service and solution. Let us make a better world for our industry!



## Contact us

Tel: +86-755-8981 8866 Fax: +86-755-8427 6832

Email & Skype: info@chipsmall.com Web: www.chipsmall.com

Address: A1208, Overseas Decoration Building, #122 Zhenhua RD., Futian, Shenzhen, China





# LD6935 series

Dual low-dropout regulators, high PSRR, 300 mA

Rev. 1 — 29 May 2013

Preliminary data sheet

## 1. Product profile

### 1.1 General description

The LD6935 series consists of small-size dual Low DropOut regulators (LDO). Each device delivers two times 300 mA with a typical voltage drop of 240 mV at 300 mA for each LDO. Each device offers two individual fixed nominal output voltages ( $V_{O(nom)}$ ) from 1.2 V to 3.6 V.

The LDO has an integrated Soft start to control the inrush current during start-up. The output states when disabled can be high-ohmic 3-state or auto discharge. Optionally a delayed output circuit is available for the second output. The devices are available in DFN1612-8 (SOT1225) plastic package with a height of 0.4 mm.

### 1.2 Features and benefits

- Extremely low standby current in shutdown mode ( $\leq 0.1 \mu\text{A}$ )
- Low quiescent current
- Low output noise
- Fast turn-on time
- High Power Supply Rejection Ratio (PSRR)
- Auto discharge or high-ohmic mode for output states when disabled
- Delayed output circuit for second LDO (optional)
- DFN1612-8 (SOT1225) leadless package  $1.6 \times 1.2 \times 0.4 \text{ mm}$
- Pb-free, Restriction of Hazardous Substances (RoHS) compliant, free of halogen and antimony (Dark Green compliant)

### 1.3 Applications

- Smartphones
- Mobile handsets
- Digital still cameras
- Tablet PCs
- Mobile internet devices
- Portable media players

### 1.4 Quick reference data

- $I_O = 300 \text{ mA}$  for each LDO
- PSRR = 80 dB at 1 kHz
- RMS noise  $V_{n(o)RMS} = 60 \mu\text{V}$  at 10 Hz to 100 kHz
- $t_{startup(reg)} = 150 \mu\text{s}$
- $V_I = 1.75 \text{ V to } 5.5 \text{ V}$
- $V_O = 1.2 \text{ V to } 3.6 \text{ V}$  (fixed value)
- Dropout voltage  $V_{do} = 240 \text{ mV}$  at  $I_O = 300 \text{ mA}$  for each LDO
- Quiescent current  $I_q = 2 \times 35 \mu\text{A}$  at  $I_O = 0 \text{ mA}$



## 2. Pinning information

### 2.1 Pinning

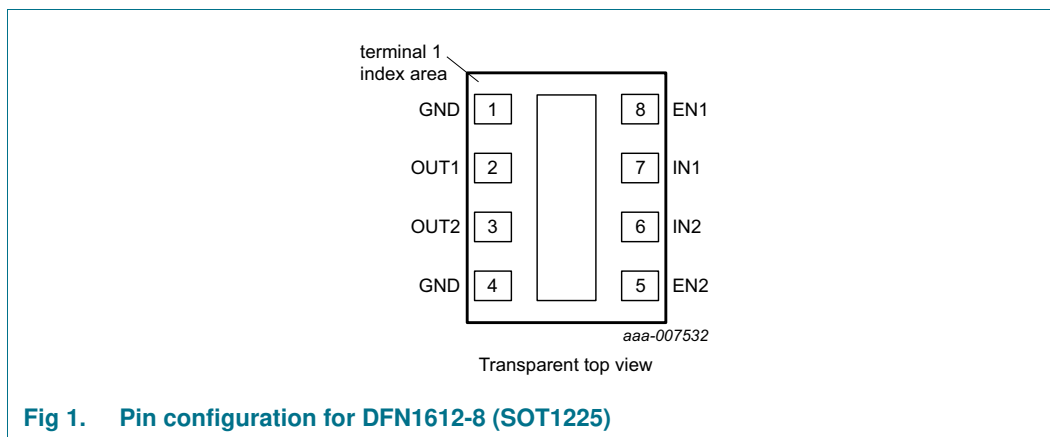


Fig 1. Pin configuration for DFN1612-8 (SOT1225)

### 2.2 Pin description

Table 1. Pin description for DFN1612-8 (SOT1225)

Symbol	Pin	Description
GND	1	supply ground
OUT1	2	regulator 1 output voltage
OUT2	3	regulator 2 output voltage
GND	4	supply ground
EN2	5	regulator 2 enable input
IN2	6	regulator 2 supply voltage input
IN1	7	regulator 1 supply voltage input
EN1	8	regulator 1 enable input
i.c.	TAB	internal connected <a href="#">[1]</a>

[1] The TAB is GND level (it is placed on the reverse side of the IC). It is recommended to connect the TAB to GND. Leaving it unconnected is also allowed but it may result in lower thermal performance.

## 3. Ordering information

Table 2. Ordering information

Type number	Package		
	Name	Description	Version
LD6935L	DFN1612-8	plastic extremely thin small outline package; no leads; 8 terminals; body 1.6 × 1.2 × 0.4 mm	SOT1225

### 3.1 Ordering options

Further output voltage information available on request; see [Section 19 “Contact information”](#).

**Table 3. Type number and nominal output voltage of high-ohmic output**

Type number	Nominal output voltage $V_{O(nom)}$	
	OUT1	OUT2
LD6935L/2828H	2.8 V	2.8 V
LD6935L/3318H	3.3 V	1.8 V

**Table 4. Type number and nominal output voltage of pull-down output**

Type number	Nominal output voltage $V_{O(nom)}$	
	OUT1	OUT2
LD6935L/1828P	1.8 V	2.8 V
LD6935L/2828P	2.8 V	2.8 V
LD6935L/3318P	3.3 V	1.8 V
LD6935L/3328P	3.3 V	2.8 V
LD6935L/3333P	3.3 V	3.3 V

**Table 5. Type number and nominal output voltage of pull-down output with delay circuit**

Type number	Nominal output voltage $V_{O(nom)}$	
	OUT1	OUT2
LD6935L/3118PD	3.1 V	1.8 V

### 4. Block diagram

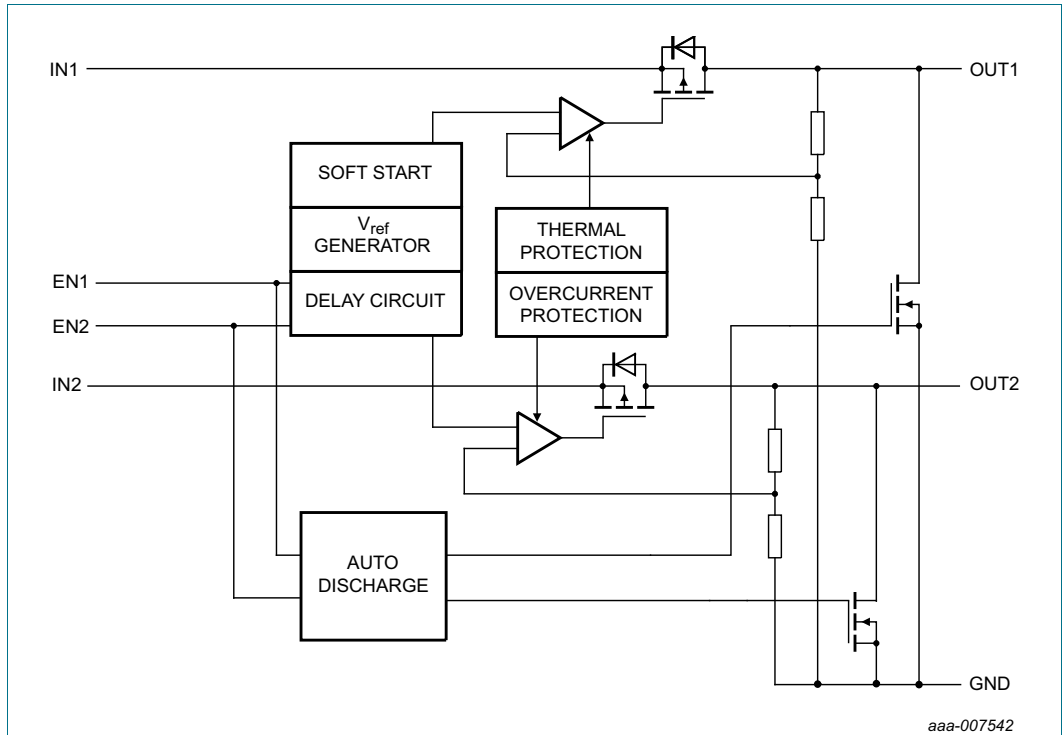


Fig 2. Block diagram dual LDO with auto discharge function (-P and -PD versions)

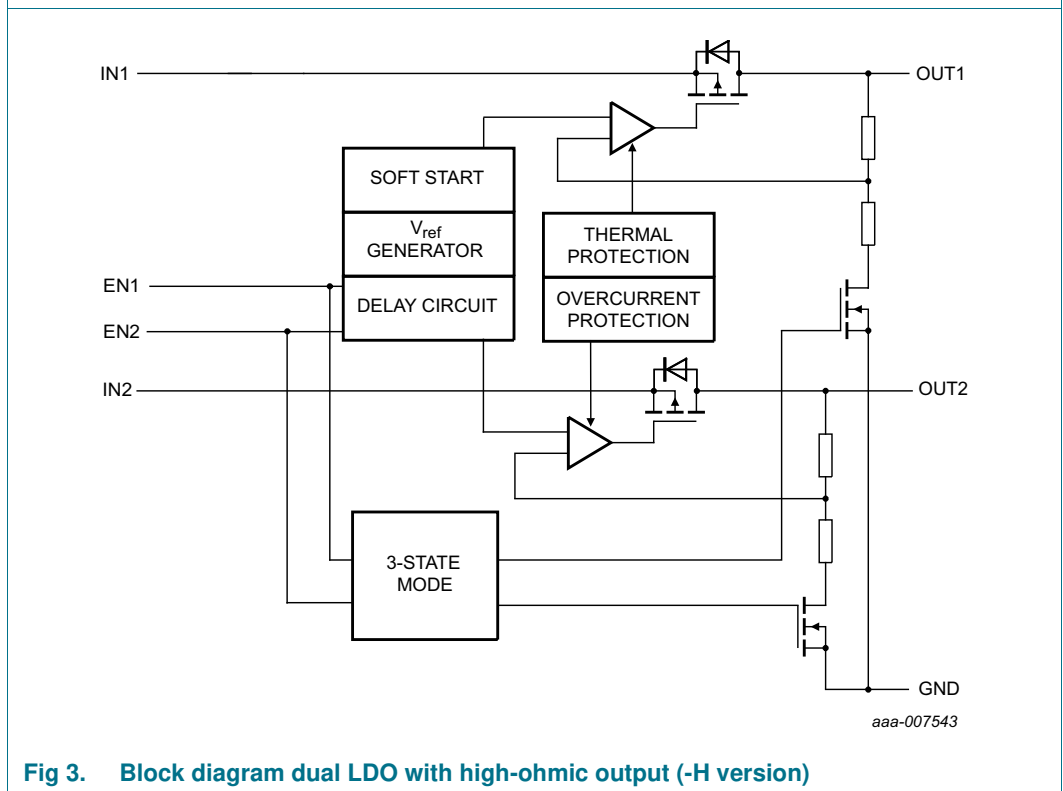


Fig 3. Block diagram dual LDO with high-ohmic output (-H version)



## 5. Limiting values

**Table 6. Limiting values**

In accordance with the Absolute Maximum Rating System (IEC 60134). Voltages are referenced to GND (ground = 0 V).

Symbol	Parameter	Conditions	Min	Max	Unit
<b>Pin IN1, IN2, EN1 and EN2</b>					
$V_I$	input voltage	4 ms transient	-0.5	+6.0	V
$V_{EN}$	voltage on pin EN	4 ms transient	-0.5	+6.0	V
<b>Pin OUT1 and OUT2</b>					
$V_O$	output voltage	4 ms transient	-0.5	+6.0	V
$P_{tot}$	total power dissipation		[1] -	740	mW
$T_{stg}$	storage temperature		-55	+150	°C
$T_j$	junction temperature		-40	+125	°C
$T_{amb}$	ambient temperature		-40	+85	°C
$V_{ESD}$	electrostatic discharge voltage	human body model	[2] -	±2	kV
		machine model	[3] -	±200	V

[1] The (absolute) maximum power dissipation depends on the junction temperature  $T_j$ . Higher power dissipation is allowed with lower ambient temperatures. The conditions to determine the specified values are  $T_{amb} = 25\text{ °C}$  and the use of a two-layer Printed-Circuit Board (PCB).

[2] According to JESD22-A114F.

[3] According to JESD22-A115C.

## 6. Recommended operating conditions

**Table 7. Operating conditions**

Voltages are referenced to GND (ground = 0 V).

Symbol	Parameter	Conditions	Min	Max	Unit
$T_{amb}$	ambient temperature		-40	+85	°C
$T_j$	junction temperature		-	+125	°C
<b>Pin IN1 and IN2</b>					
$V_I$	input voltage		1.75	5.5	V
$C_{ext(IN)}$	external capacitance on pin IN		[1] 1.0	-	μF
<b>Pin EN1 and EN2</b>					
$V_{EN}$	voltage on pin EN		0	$V_I$	V
<b>Pin OUT1 and OUT2</b>					
$V_O$	output voltage		0	$V_I + 0.3$	V
$C_{L(ext)}$	external load capacitance		1.0	-	μF

[1] See [Section 10.1 "Input and output capacitor values"](#).

## 7. Thermal characteristics

**Table 8. Thermal characteristics**

Symbol	Parameter	Conditions	Typ	Unit
$R_{th(j-a)}$	thermal resistance from junction to ambient		[1][2] 135	K/W

- [1] The overall  $R_{th(j-a)}$  can vary depending on the board layout. To minimize the effective  $R_{th(j-a)}$ , all pins must have a solid connection to larger Cu layer areas for example to the power and ground layer. In multilayer PCB applications, use the second layer to create a large heat spreader area directly below the LDO. If this layer is either ground or power, connect it with several vias to the top layer connecting to the device ground or supply. Avoid using solder-stop varnish under the chip.
- [2] Use the measurement data given for a rough estimation of the  $R_{th(j-a)}$  in your application. The actual  $R_{th(j-a)}$  value can vary in applications using different layer stacks and layouts.

## 8. Characteristics

**Table 9. Electrical characteristics**

At recommended input voltages and  $T_{amb} = -40\text{ °C}$  to  $+85\text{ °C}$ ; voltages are referenced to GND (ground = 0 V); unless otherwise specified.

Symbol	Parameter	Conditions	Min	Typ	Max	Unit
<b>Output voltage per LDO</b>						
$V_{do}$	dropout voltage	$I_O = 300\text{ mA}$ ; $V_I \leq V_{O(nom)}$	[2] -	240	-	mV
$\Delta V_O$	output voltage variation	$V_O \geq 1.8\text{ V}$ ; $I_O = 1\text{ mA}$				
		$T_{amb} = +25\text{ °C}$	-2	-	+2	%
		$-30\text{ °C} \leq T_{amb} \leq +85\text{ °C}$	[2] -3	-	+3	%
		$V_O < 1.8\text{ V}$ ; $I_O = 1\text{ mA}$				
		$T_{amb} = +25\text{ °C}$	-3	-	+3	%
		$-30\text{ °C} \leq T_{amb} \leq +85\text{ °C}$	[2] -4	-	+4	%
<b>Line regulation error per LDO</b>						
$\Delta V_O / (V_O \times \Delta V_I)$	relative output voltage variation with input voltage	$V_I = (V_{O(nom)} + 1\text{ V})$ to 5 V; $I_O = 1\text{ mA}$	[2] -0.1	-	+0.1	%/V
<b>Load regulation error per LDO</b>						
$\Delta V_O / (V_O \times \Delta I_O)$	relative output voltage variation with output current	$1\text{ mA} \leq I_{OUT} \leq 300\text{ mA}$ ; $V_I = (V_{O(nom)} + 1\text{ V})$	[2] -0.01	$\pm 0.0025$	0.01	%/mA
<b>Output current per LDO</b>						
$I_O$	output current		[2] 300	-	-	mA
$I_{act(fold)}$	foldback activation current		[2] -	750	-	mA
$I_{sc}$	short-circuit current	$V_O = 0\text{ V}$	[2] -	100	-	mA
<b>Regulator input current per LDO</b>						
$I_{inrush(lim)}$	inrush current limit	$C_{L(ext)} = 1\text{ }\mu\text{F}$ at OUT1 and OUT2	[2] -	-	400	mA
$I_q$	quiescent current	$(V_{EN1}$ or $V_{EN2}) > 1.1\text{ V}$ ; $I_O = 0\text{ mA}$ at OUT1 and OUT2; $V_I = (V_{O(nom)} + 1\text{ V})$	-	35	50	$\mu\text{A}$
		$(V_{EN1}$ or $V_{EN2}) > 1.1\text{ V}$ ; $1\text{ mA} \leq I_O \leq 300\text{ mA}$ at OUT1 and OUT2; $V_I = (V_{O(nom)} + 1\text{ V})$	[2] -	400	-	$\mu\text{A}$
		$(V_{EN1}$ or $V_{EN2}) \leq 0.4\text{ V}$	-	0.1	1.0	$\mu\text{A}$

**Table 9. Electrical characteristics ...continued**

At recommended input voltages and  $T_{amb} = -40\text{ }^{\circ}\text{C}$  to  $+85\text{ }^{\circ}\text{C}$ ; voltages are referenced to GND (ground = 0 V); unless otherwise specified.

Symbol	Parameter	Conditions	Min	Typ	Max	Unit
<b>Ripple rejection and output noise per LDO</b>						
PSRR	power supply rejection ratio	$V_I = V_{O(nom)} + 1\text{ V}$ ; $I_O = 30\text{ mA}$ ; $f_{ripple} = 1\text{ kHz}$	[2]	-	80	- dB
$V_{n(o)(RMS)}$	RMS output noise voltage	bandwidth = 10 Hz to 100 kHz; $C_{L(ext)} = 1\text{ }\mu\text{F}$ ; $V_O = 1.8\text{ V}$	[2]	-	60	- $\mu\text{V}$
<b>Enable input and timing (pin EN1, pin EN2) per LDO</b>						
$V_{IL}$	LOW-level input voltage		0	-	0.4	V
$V_{IH}$	HIGH-level input voltage		1.1	-	5.5	V
$I_{en}$	enable current		-	400	-	nA
$t_{startup(reg)}$	regulator start-up time	for each LDO; $V_I = 5.5\text{ V}$ ; $V_O = 0.95 \times V_{O(nom)}$ ; $I_O = 300\text{ mA}$ ; $C_{L(ext)} = 1\text{ }\mu\text{F}$	[2]	-	150	- $\mu\text{s}$
$t_d$	delay time	for LDO2; -PD version	[2]	-	100	- $\mu\text{s}$
<b>Automatic discharge function (LD6935L/xxxxP or LD6935L/xxxxPD) per LDO</b>						
$R_{pd}$	pull-down resistance		[2]	-	100	- $\Omega$
$t_{sd(reg)}$	regulator shutdown time	$V_I = 5.5\text{ V}$ ; $C_{L(ext)} = 1\text{ }\mu\text{F}$ ; $I_O = 0\text{ A}$ ; $V_O = 0.1 \times V_{O(nom)}$	[2]	-	300	- $\mu\text{s}$
<b>Thermal protection</b>						
$T_{sd}$	shutdown temperature		[2]	-	160	- $^{\circ}\text{C}$
$T_{sd(hys)}$	shutdown temperature hysteresis		[1][2]	-	20	- $^{\circ}\text{K}$

[1] The junction temperature must decrease by  $T_{sd(hys)}$  to enable the device after  $T_{sd}$  was reached and the device was disabled.

[2] The parameter was verified and is guaranteed by design.



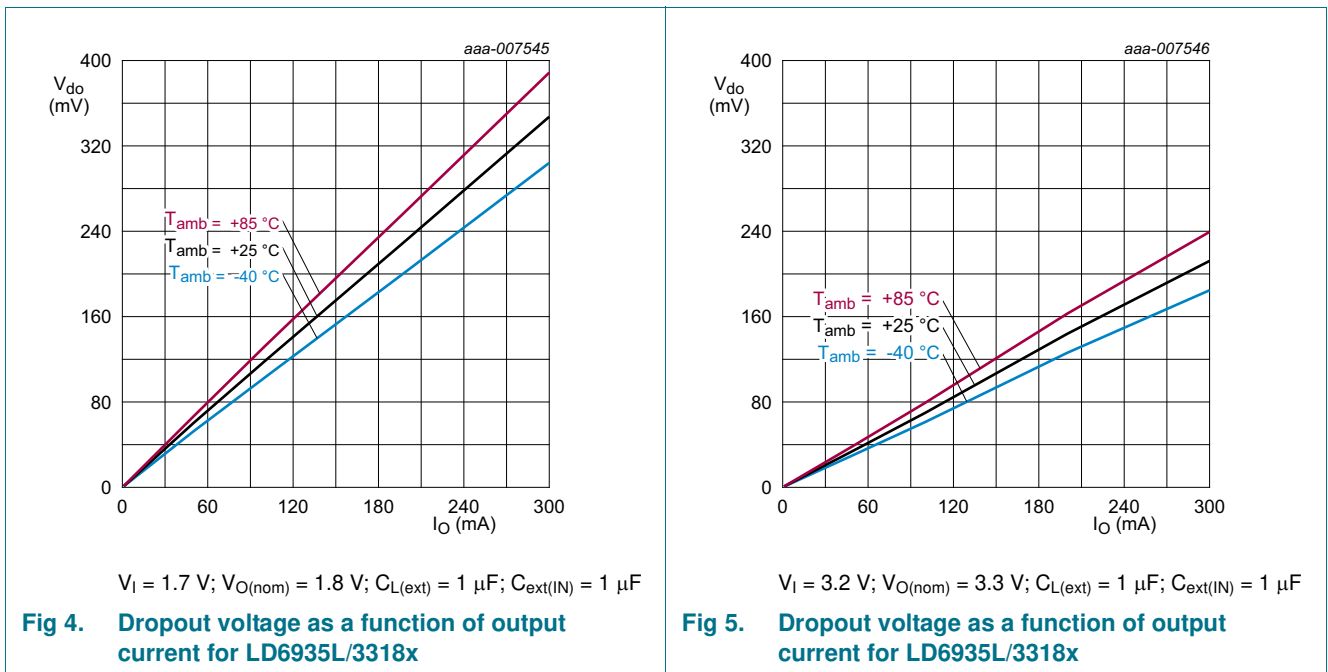
## 9. Dynamic behavior

All results described in [Section 9](#) are based on measurements of types LD6935L/xxxxH from the LD6935 product series.

### 9.1 Dropout

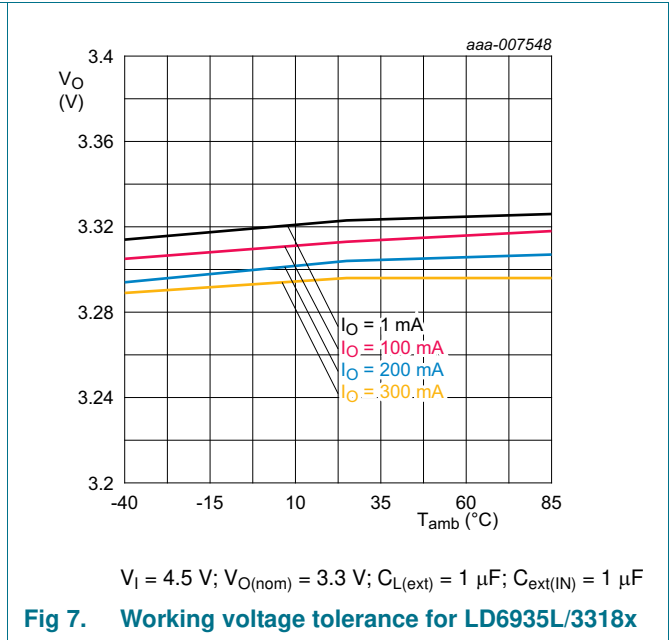
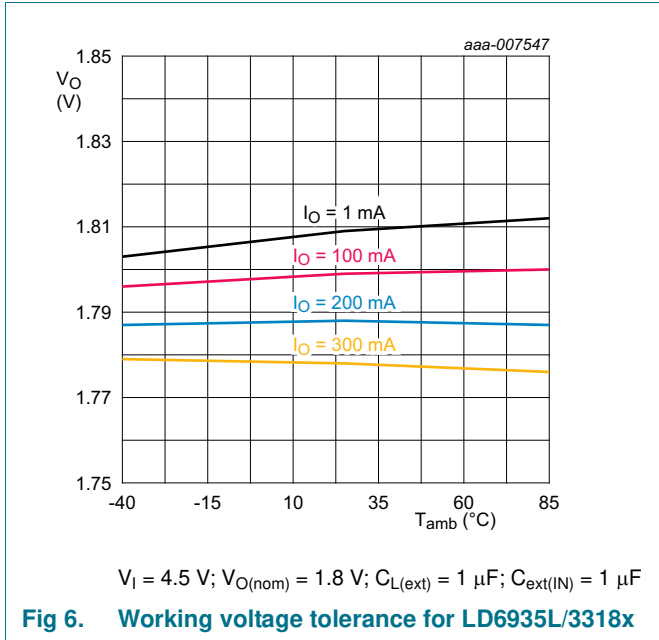
The dropout voltage is defined as the smallest input-to-output voltage difference at a specified load current when the regulator operates within its linear region with the pass transistor functioning simply as a resistor. This means that the input voltage is below the nominal output voltage value.

A small dropout voltage guarantees lower power consumption and maximizes efficiency.



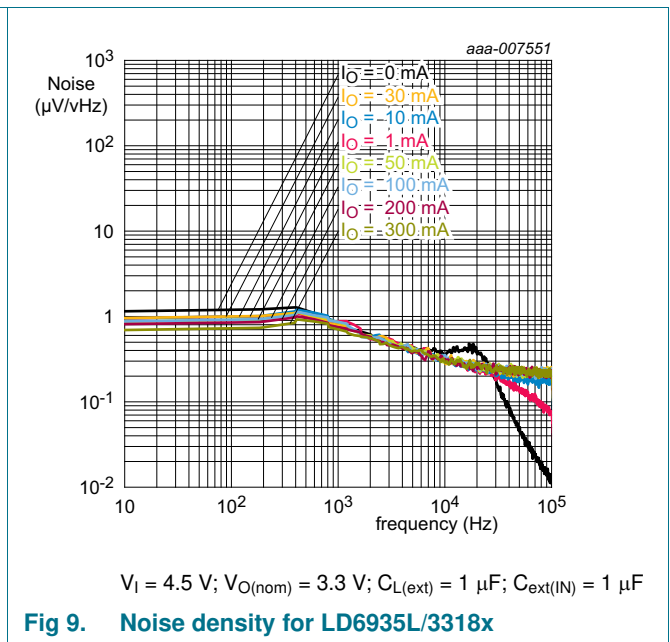
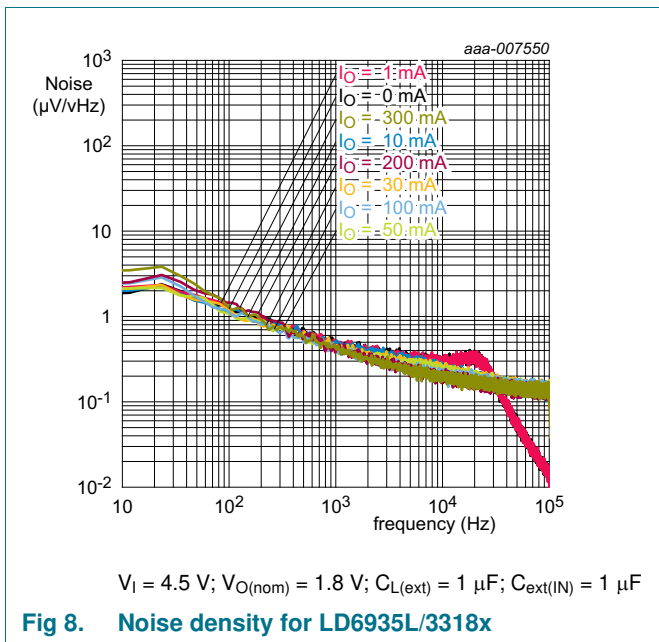
### 9.2 Working voltage tolerance

The guaranteed output voltages are specified in [Table 9](#).



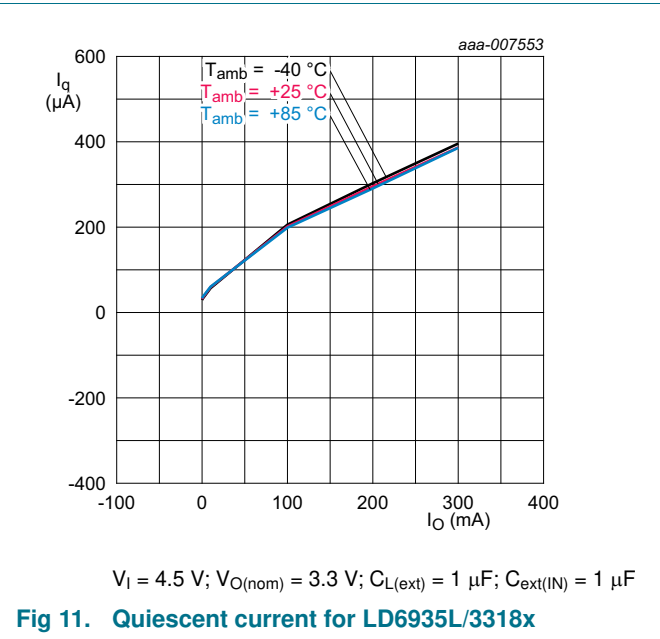
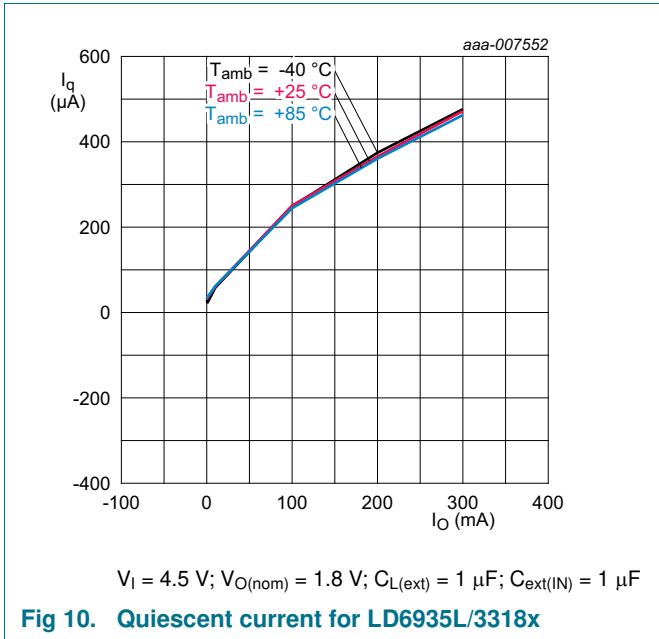
### 9.3 Noise

Output noise voltage of an LDO circuit is given as noise density or RMS output noise voltage over a defined range of frequencies (10 Hz to 100 kHz). Permanent conditions are a constant output current and a ripple-free input voltage. The output noise voltage is generated by the LDO regulator.



### 9.4 Quiescent current

Quiescent or ground current is the difference between the input and the output current of the regulator.



### 9.5 Line regulation

Line regulation response is the capability of the circuit to maintain the nominal output voltage while varying the input voltage.

$$Line\ regulation\ (\%/V) = \frac{\Delta V_O}{\Delta V_I} \times \frac{100}{V_O} \tag{1}$$

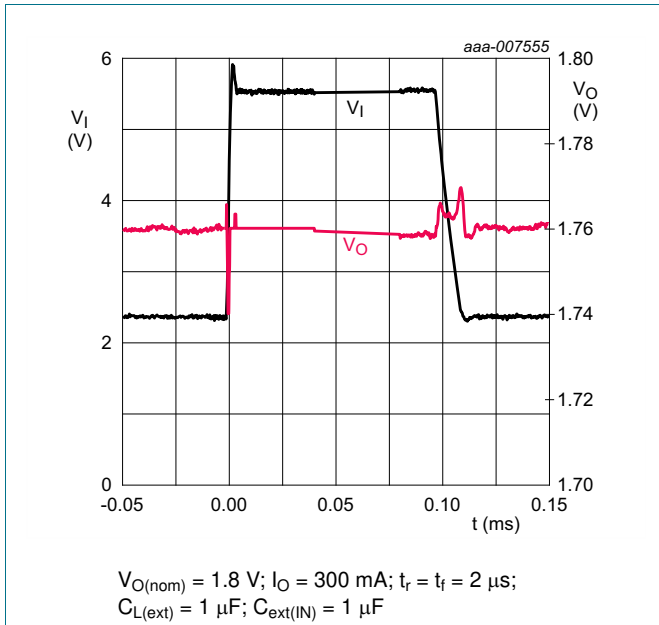


Fig 12. Line regulation for LD6935L/3318x

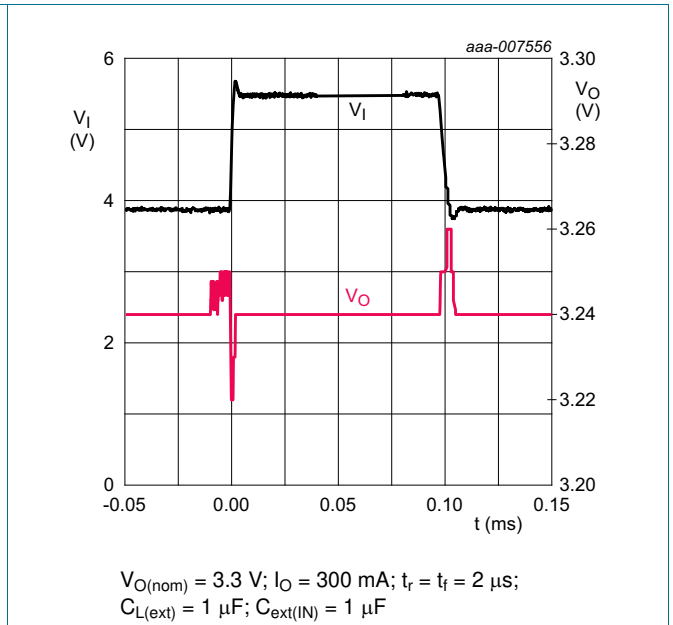


Fig 13. Line regulation for LD6935L/3318x

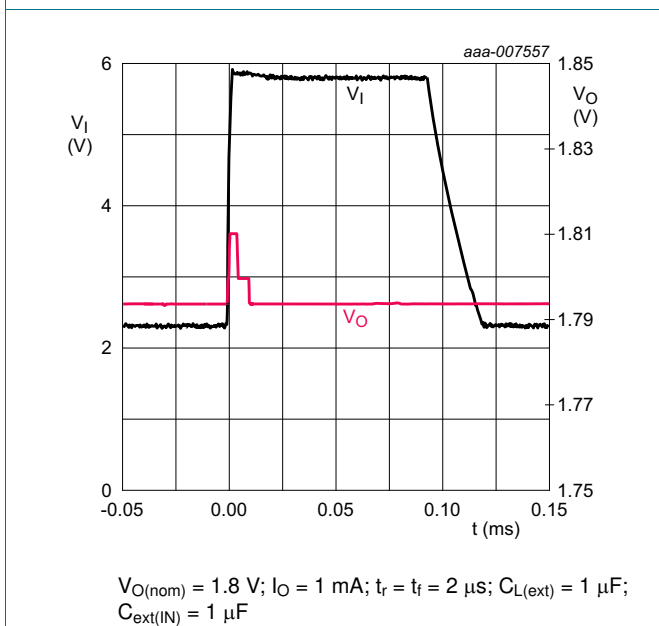


Fig 14. Line regulation for LD6935L/3318x

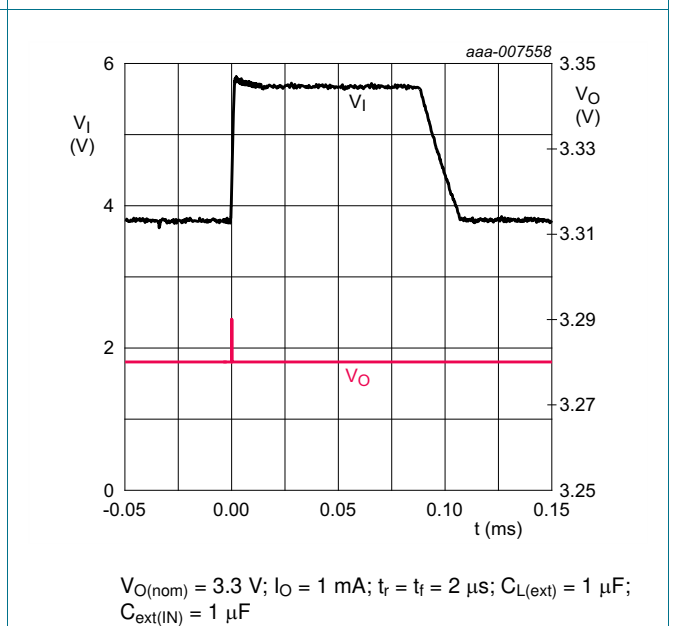
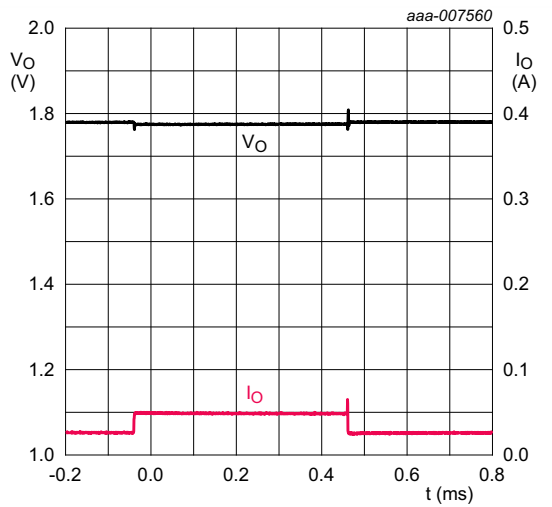


Fig 15. Line regulation for LD6935L/3318x

9.6 Load regulation

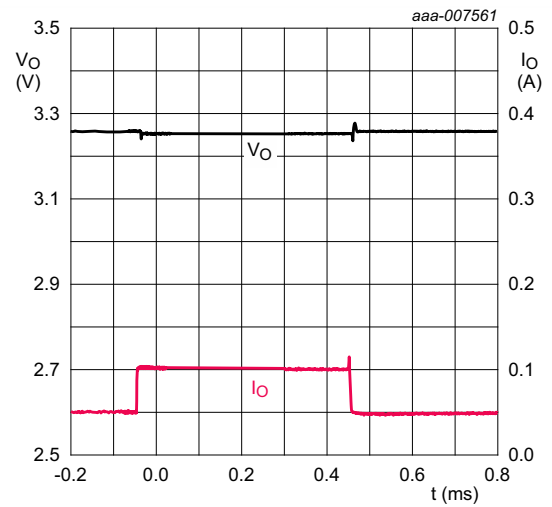
Load regulation is the capability of the circuit to maintain the nominal output voltage while varying the output load current.

$$Load\ regulation\ (\%/mA) = \frac{\frac{\Delta V_O}{V_{O(nom)}} \times 100}{\Delta I_O} \tag{2}$$



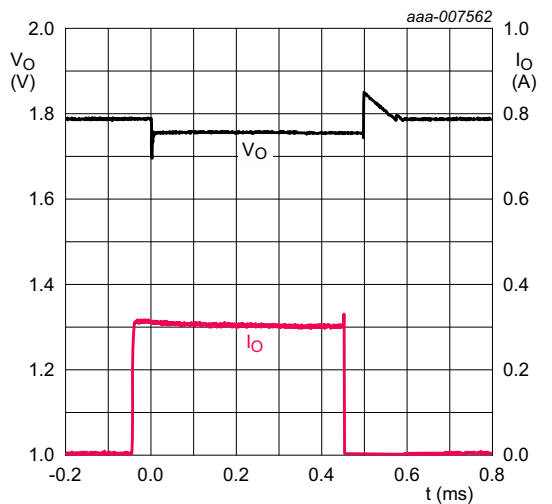
$V_{O(nom)} = 1.8\text{ V}$ ;  $I_O = 50\text{ mA to }100\text{ mA}$ ;  $t_r = t_f = 2\ \mu\text{s}$ ;  
 $C_{L(ext)} = 1\ \mu\text{F}$ ;  $C_{ext(IN)} = 1\ \mu\text{F}$

Fig 16. Load regulation for LD6935L/3318x



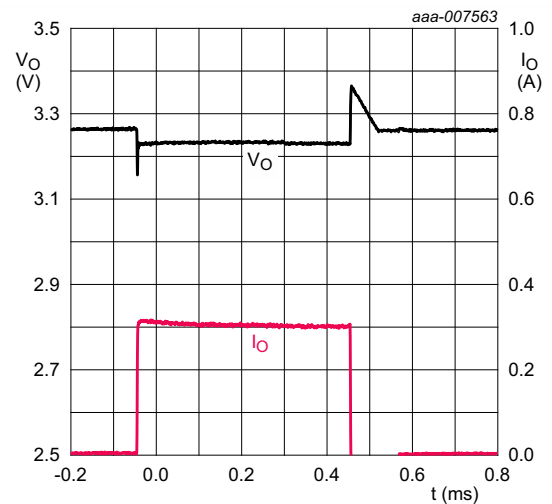
$V_{O(nom)} = 3.3\text{ V}$ ;  $I_O = 50\text{ mA to }100\text{ mA}$ ;  $t_r = t_f = 2\ \mu\text{s}$ ;  
 $C_{L(ext)} = 1\ \mu\text{F}$ ;  $C_{ext(IN)} = 1\ \mu\text{F}$

Fig 17. Load regulation for LD6935L/3318x



$V_{O(nom)} = 1.8\text{ V}$ ;  $I_O = 0\text{ mA to }300\text{ mA}$ ;  $t_r = t_f = 2\ \mu\text{s}$ ;  
 $C_{L(ext)} = 1\ \mu\text{F}$ ;  $C_{ext(IN)} = 1\ \mu\text{F}$

Fig 18. Load regulation for LD6935L/3318x

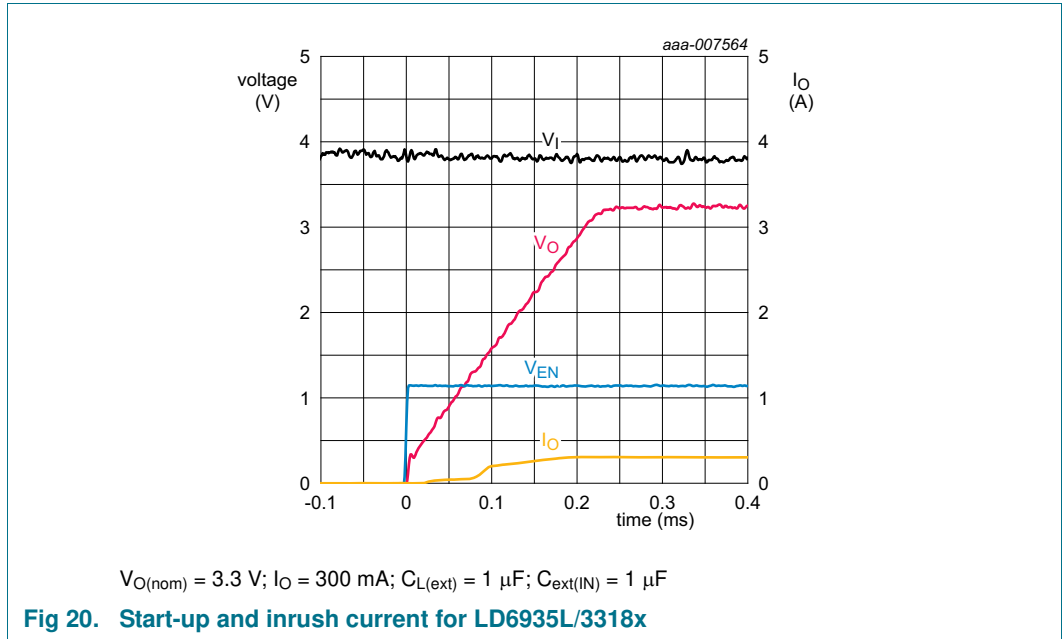


$V_{O(nom)} = 3.3\text{ V}$ ;  $I_O = 50\text{ mA to }300\text{ mA}$ ;  $t_r = t_f = 2\ \mu\text{s}$ ;  
 $C_{L(ext)} = 1\ \mu\text{F}$ ;  $C_{ext(IN)} = 1\ \mu\text{F}$

Fig 19. Load regulation for LD6935L/3318x

### 9.7 Start-up, inrush current

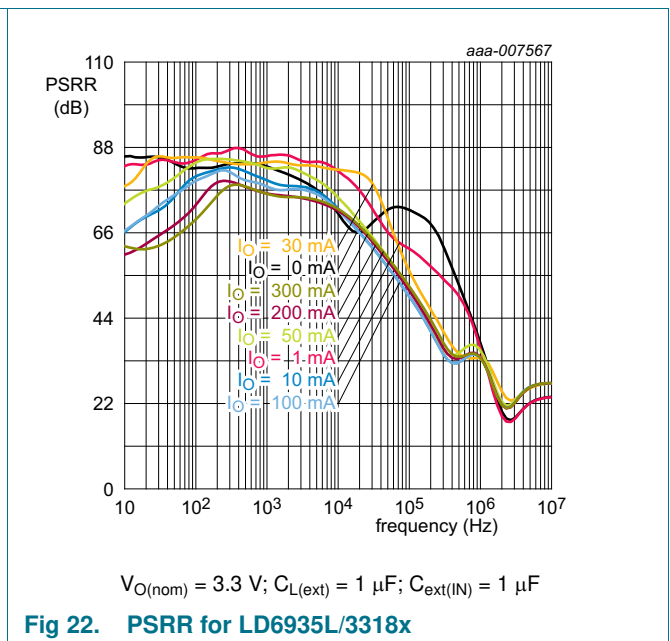
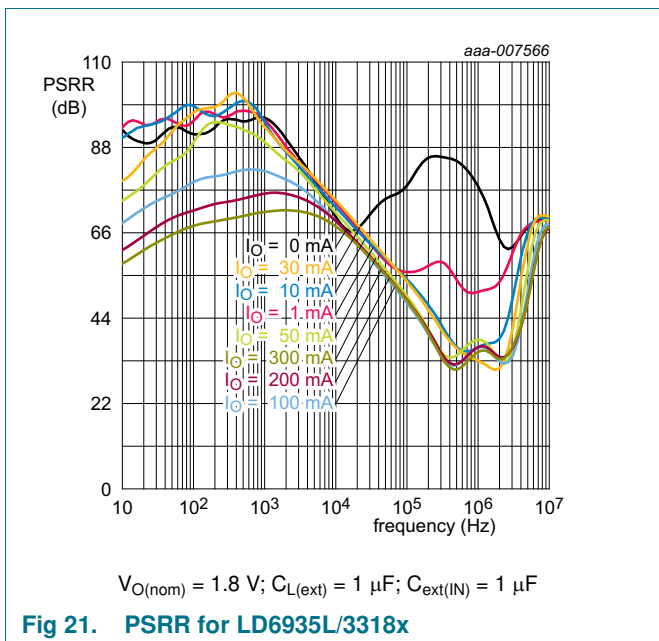
Start-up time defines the time needed for the LDO to achieve 95 % of its typical output voltage level after activation via the enable pin.



### 9.8 Power Supply Rejection Ratio (PSRR)

PSRR stands for the capability of the regulator to suppress unwanted signals on the input voltage like noise or ripples.

$$PSRR\ (dB) = (-20)\log\frac{V_{O(ripple)}}{V_{I(ripple)}}\ \text{for all frequencies.}$$





## 10. Application information

### 10.1 Input and output capacitor values

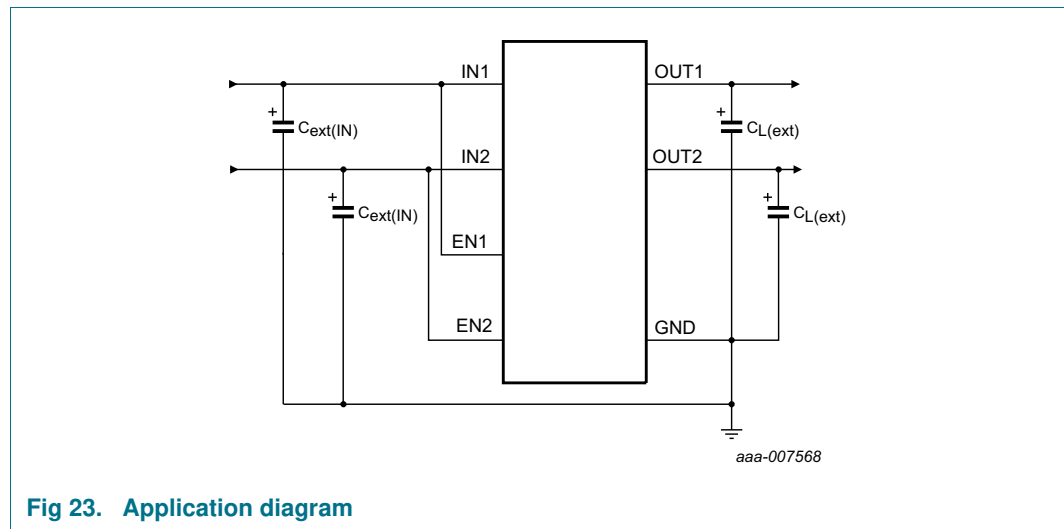
The devices require external capacitors at the output to guarantee a stable regulator behavior. Also an input capacitor is recommended to keep the input voltage stable. These capacitors should not under-run the specified minimum Equivalent Series Resistance (ESR).

The absolute value of the total capacitance attached to the output pins OUT1 and OUT2 influences the shutdown time ( $t_{sd(reg)}$ ) of the devices.

**Table 10. External load capacitor**

Symbol	Parameter	Conditions	Min	Typ	Max	Unit
$C_{ext(IN)}$	external capacitance on pin IN	pin IN1 and IN2	0.7	1.0	-	$\mu\text{F}$
$C_{L(ext)}$	external load capacitance		[1] 0.7	1.0	-	$\mu\text{F}$
ESR	equivalent series resistance		5	-	500	$\text{m}\Omega$

[1] The minimum value of capacitance for stability and correct operation is 0.7  $\mu\text{F}$ . The capacitor tolerance should be  $\pm 30\%$  or better over the temperature range. The full range of operating conditions for the capacitor in the application should be considered during device selection to ensure that this minimum capacitance specification is met. The recommended capacitor type is X7R to meet the full device temperature specification of  $-40\text{ }^\circ\text{C}$  to  $+125\text{ }^\circ\text{C}$ .



**Fig 23. Application diagram**

### 10.2 Optional delay circuit

The two enable input pins EN1 and EN2 allow a control of both LDOs. In case the availability of General-Purpose Input/Output (GPIO) pins is limited, the optional delay circuit of -D version can be used to control both LDOs at once without the drawback of doubled inrush current. When both enable signals EN1 and EN2 are activated simultaneously, the delay circuit delays the activation of LDO2 and postpones the associated inrush current. The LDO2 is only active when LDO1 is set to HIGH.

Table 11. Truth table output mode with delay circuit

EN1	EN2	LDO1 output	LDO2 output
LOW	LOW	OFF	OFF
HIGH	LOW	ON	OFF
LOW	HIGH	OFF	OFF
HIGH	HIGH	ON	ON

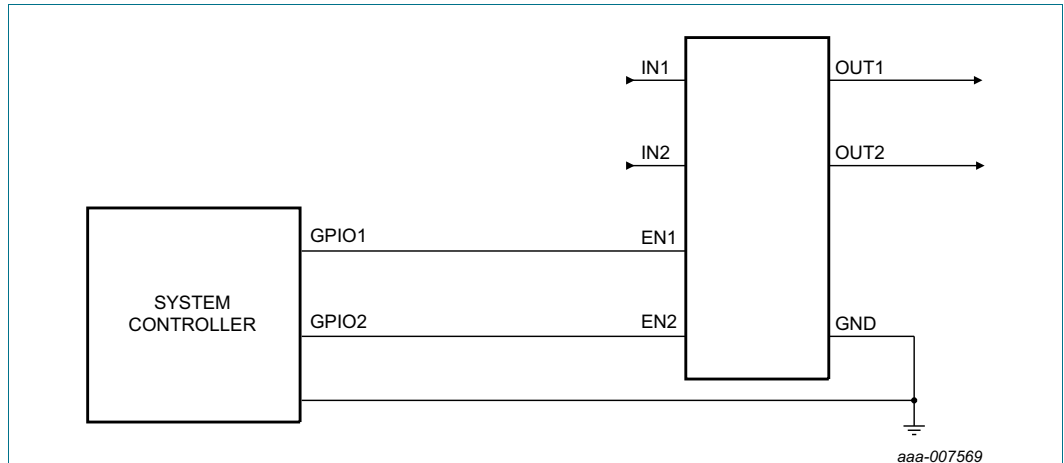


Fig 24. Flexible control with two separate GPIO signals

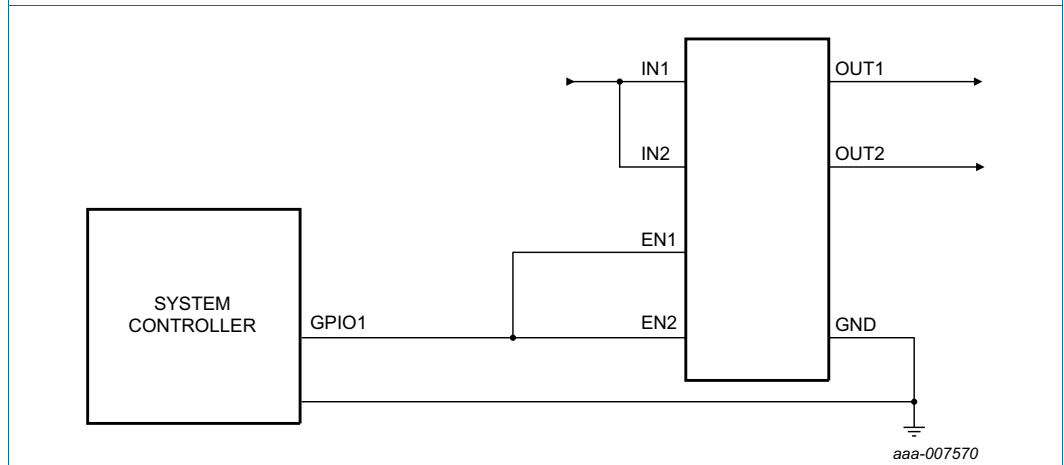


Fig 25. Control with one GPIO signal and delay circuit of -PD version

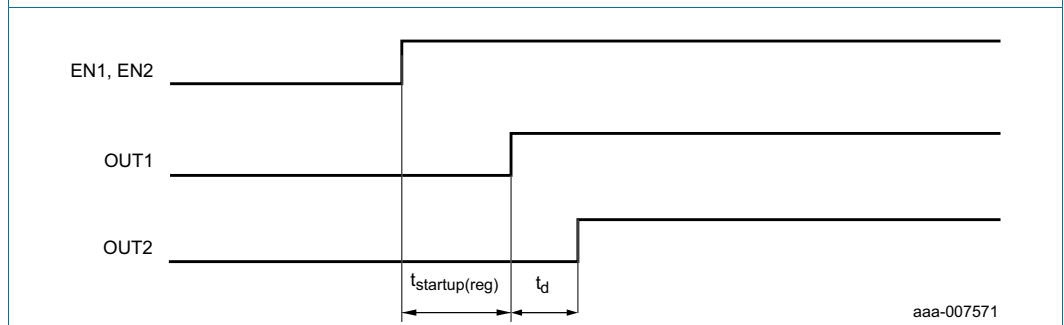


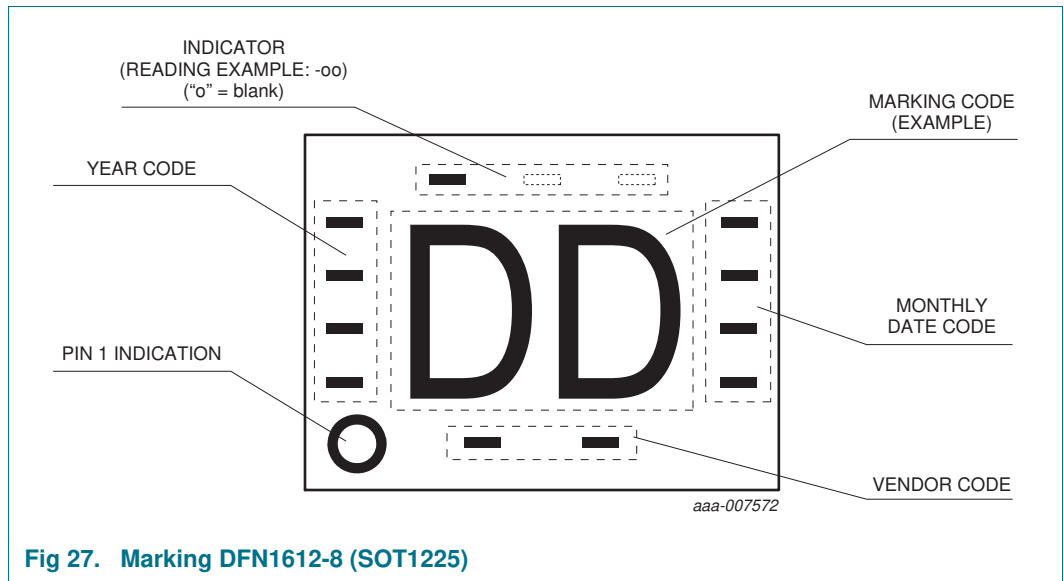
Fig 26. Timing diagram for delay circuit of -PD version

**11. Test information**

**11.1 Quality information**

This product has been qualified in accordance with *NX1-00023 NXP Semiconductors Quality and Reliability Specification* and is suitable for use in consumer applications.

**12. Marking**



**Fig 27. Marking DFN1612-8 (SOT1225)**

**Table 12. Marking code and indicator of high-ohmic output**

Type number	V <sub>O(nom)</sub>	Marking code	Indicator
LD6935L/2828H	2.8 V / 2.8 V	AK	oo-
LD6935L/3318H	3.3 V / 1.8 V	AE	oo-

**Table 13. Marking code and indicator of pull-down output**

Type number	V <sub>O(nom)</sub>	Marking code	Indicator
LD6935L/1818P	1.8 V / 1.8 V	AR	-oo
LD6935L/2828P	2.8 V / 2.8 V	AK	-oo
LD6935L/3318P	3.3 V / 1.8 V	AE	-oo
LD6935L/3328P	3.3 V / 2.8 V	AC	-oo
LD6935L/3333P	3.3 V / 3.3 V	AA	-oo

**Table 14. Marking code and indicator of pull-down output with delay circuit**

Type number	V <sub>O(nom)</sub>	Marking code	Indicator
LD6935L/3118PD	3.1 V / 1.8 V	AU	o-o

13. Package outline

DFN1612-8: plastic extremely thin small outline package; no leads; 8 terminals; body 1.6 x 1.2 x 0.4 mm

SOT1225

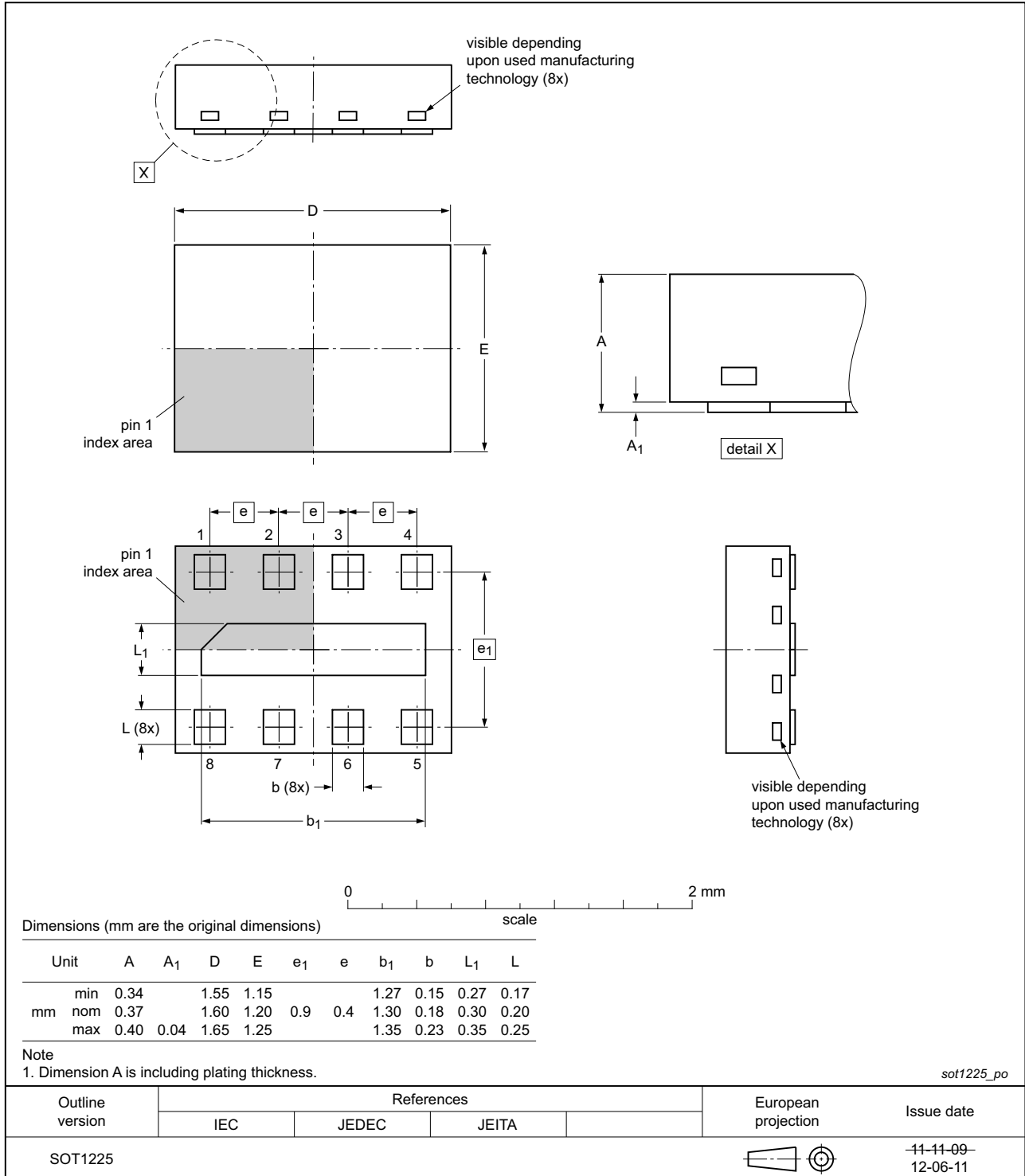


Fig 28. Package outline DFN1612-8 (SOT1225)

## 14. Packing information

### 14.1 Packing methods

Table 15. Packing methods

Type number	Package	Description	Orientation [1]	12NC ending	Packing quantity
LD6935L	SOT1225	4 mm pitch, 5.4 mm tape and reel	Q1	115	<td>

[1] For further information about orientation, see [Section 14.2](#).

### 14.2 Carrier tape information

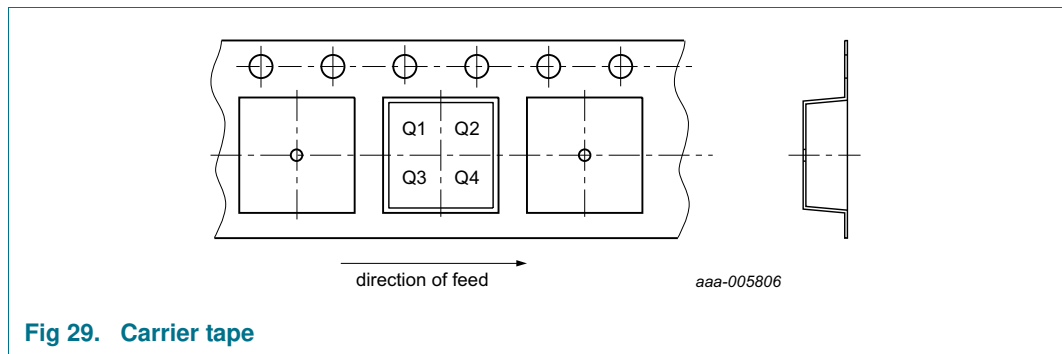


Fig 29. Carrier tape

Table 16. Orientations

Orientation	Meaning	Pin 1 location
Q1	quadrant 1	upper left
Q2	quadrant 2	upper right
Q3	quadrant 3	lower left
Q4	quadrant 4	lower right

15. Soldering

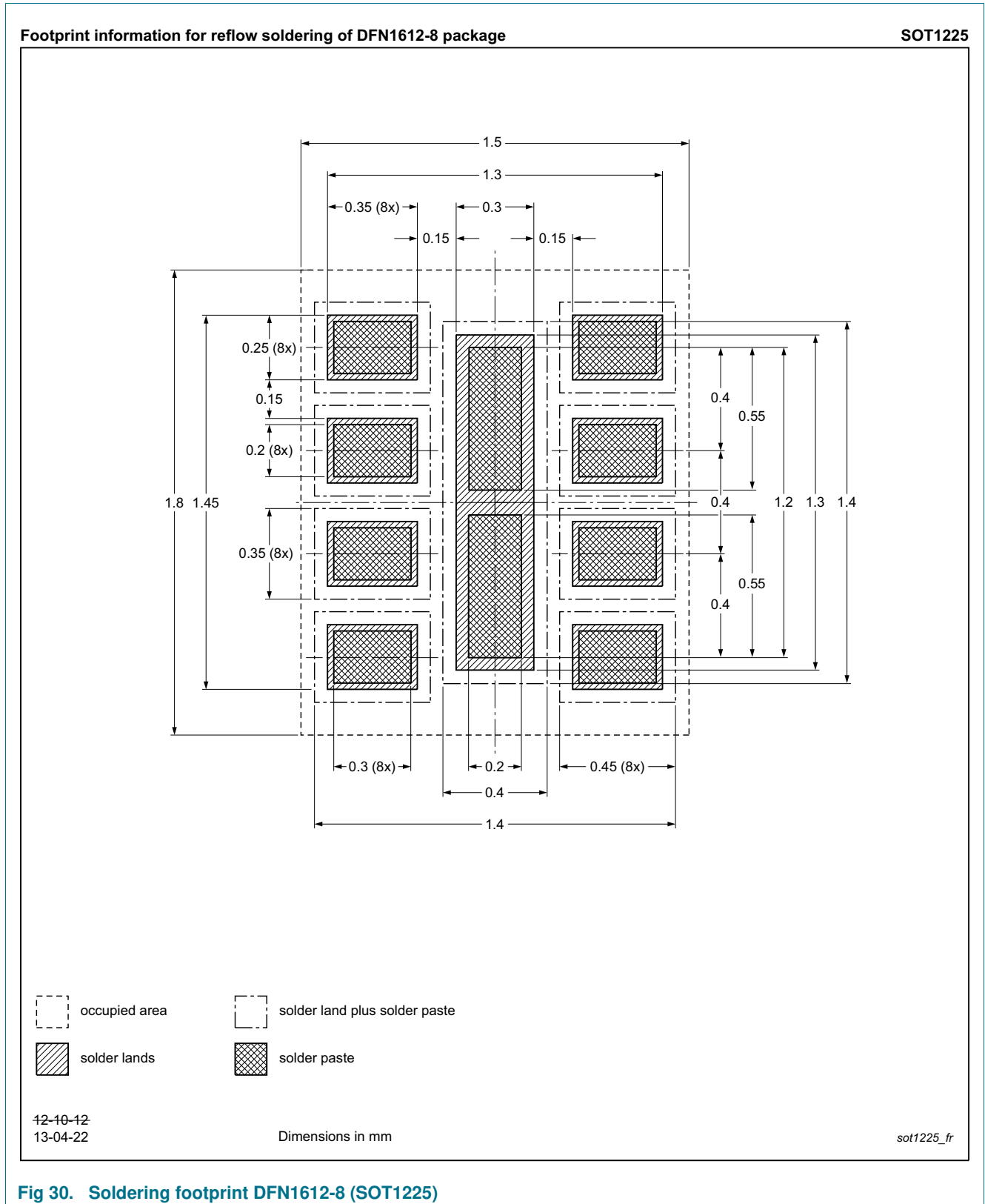


Fig 30. Soldering footprint DFN1612-8 (SOT1225)



## 16. PCB assembly guidelines for Pb-free soldering

Table 17. Assembly recommendations

Parameter	Value or specification
Solder screen thickness	100 μm (0.004 inch)
Solder paste: Pb-free	SnAg (3 % to 4 %); Cu (0.5 % to 0.9 %)
Solder to flux ratio	50 : 50
Solder reflow profile	see <a href="#">Figure 31</a>

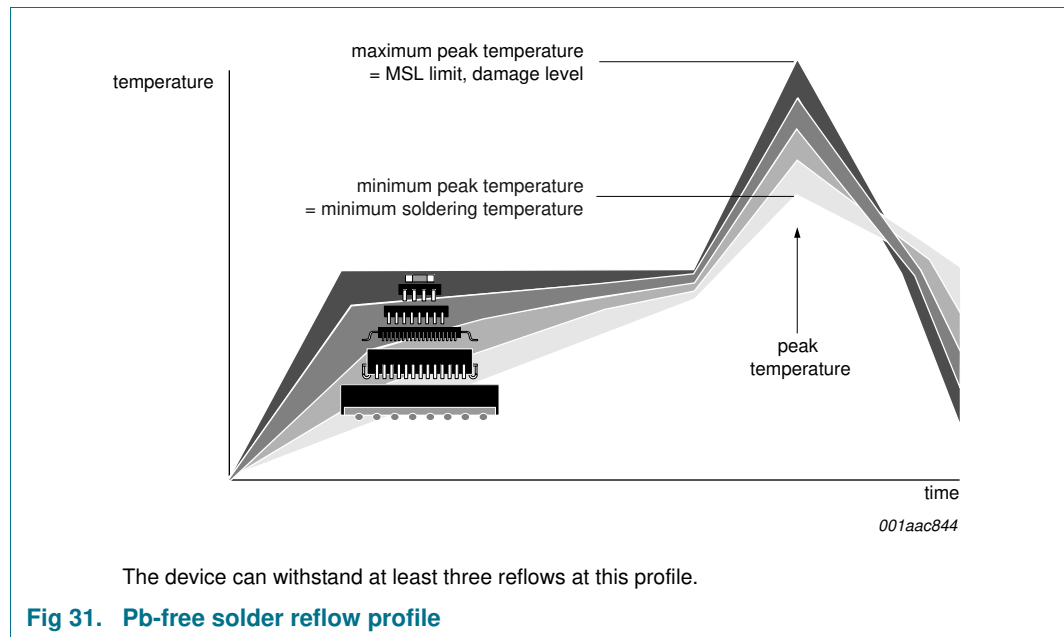


Table 18. Characteristics

Symbol	Parameter	Conditions	Min	Typ	Max	Unit
$T_{\text{reflow(peak)}}$	peak reflow temperature		230	-	260	°C
$t_1$	time 1	soak time	60	-	180	s
$t_2$	time 2	time during $T \geq 250\text{ °C}$	-	-	30	s
$t_3$	time 3	time during $T \geq 230\text{ °C}$	10	-	50	s
$t_4$	time 4	time during $T > 217\text{ °C}$	30	-	150	s
$t_5$	time 5		-	-	540	s
$dT/dt$	rate of change of temperature	cooling rate	-	-	-6	°C/s
		preheat	2.5	-	4.0	°C/s

## 17. Revision history

Table 19. Revision history

Document ID	Release date	Data sheet status	Change notice	Supersedes
LD6935_SER v.1	20130529	Preliminary data sheet	-	-

## 18. Legal information

### 18.1 Data sheet status

Document status <sup>[1][2]</sup>	Product status <sup>[3]</sup>	Definition
Objective [short] data sheet	Development	This document contains data from the objective specification for product development.
Preliminary [short] data sheet	Qualification	This document contains data from the preliminary specification.
Product [short] data sheet	Production	This document contains the product specification.

[1] Please consult the most recently issued document before initiating or completing a design.

[2] The term 'short data sheet' is explained in section "Definitions".

[3] The product status of device(s) described in this document may have changed since this document was published and may differ in case of multiple devices. The latest product status information is available on the Internet at URL <http://www.nxp.com>.

### 18.2 Definitions

**Draft** — The document is a draft version only. The content is still under internal review and subject to formal approval, which may result in modifications or additions. NXP Semiconductors does not give any representations or warranties as to the accuracy or completeness of information included herein and shall have no liability for the consequences of use of such information.

**Short data sheet** — A short data sheet is an extract from a full data sheet with the same product type number(s) and title. A short data sheet is intended for quick reference only and should not be relied upon to contain detailed and full information. For detailed and full information see the relevant full data sheet, which is available on request via the local NXP Semiconductors sales office. In case of any inconsistency or conflict with the short data sheet, the full data sheet shall prevail.

**Product specification** — The information and data provided in a Product data sheet shall define the specification of the product as agreed between NXP Semiconductors and its customer, unless NXP Semiconductors and customer have explicitly agreed otherwise in writing. In no event however, shall an agreement be valid in which the NXP Semiconductors product is deemed to offer functions and qualities beyond those described in the Product data sheet.

### 18.3 Disclaimers

**Limited warranty and liability** — Information in this document is believed to be accurate and reliable. However, NXP Semiconductors does not give any representations or warranties, expressed or implied, as to the accuracy or completeness of such information and shall have no liability for the consequences of use of such information. NXP Semiconductors takes no responsibility for the content in this document if provided by an information source outside of NXP Semiconductors.

In no event shall NXP Semiconductors be liable for any indirect, incidental, punitive, special or consequential damages (including - without limitation - lost profits, lost savings, business interruption, costs related to the removal or replacement of any products or rework charges) whether or not such damages are based on tort (including negligence), warranty, breach of contract or any other legal theory.

Notwithstanding any damages that customer might incur for any reason whatsoever, NXP Semiconductors' aggregate and cumulative liability towards customer for the products described herein shall be limited in accordance with the *Terms and conditions of commercial sale* of NXP Semiconductors.

**Right to make changes** — NXP Semiconductors reserves the right to make changes to information published in this document, including without limitation specifications and product descriptions, at any time and without notice. This document supersedes and replaces all information supplied prior to the publication hereof.

**Suitability for use** — NXP Semiconductors products are not designed, authorized or warranted to be suitable for use in life support, life-critical or safety-critical systems or equipment, nor in applications where failure or malfunction of an NXP Semiconductors product can reasonably be expected to result in personal injury, death or severe property or environmental damage. NXP Semiconductors and its suppliers accept no liability for inclusion and/or use of NXP Semiconductors products in such equipment or applications and therefore such inclusion and/or use is at the customer's own risk.

**Applications** — Applications that are described herein for any of these products are for illustrative purposes only. NXP Semiconductors makes no representation or warranty that such applications will be suitable for the specified use without further testing or modification.

Customers are responsible for the design and operation of their applications and products using NXP Semiconductors products, and NXP Semiconductors accepts no liability for any assistance with applications or customer product design. It is customer's sole responsibility to determine whether the NXP Semiconductors product is suitable and fit for the customer's applications and products planned, as well as for the planned application and use of customer's third party customer(s). Customers should provide appropriate design and operating safeguards to minimize the risks associated with their applications and products.

NXP Semiconductors does not accept any liability related to any default, damage, costs or problem which is based on any weakness or default in the customer's applications or products, or the application or use by customer's third party customer(s). Customer is responsible for doing all necessary testing for the customer's applications and products using NXP Semiconductors products in order to avoid a default of the applications and the products or of the application or use by customer's third party customer(s). NXP does not accept any liability in this respect.

**Limiting values** — Stress above one or more limiting values (as defined in the Absolute Maximum Ratings System of IEC 60134) will cause permanent damage to the device. Limiting values are stress ratings only and (proper) operation of the device at these or any other conditions above those given in the Recommended operating conditions section (if present) or the Characteristics sections of this document is not warranted. Constant or repeated exposure to limiting values will permanently and irreversibly affect the quality and reliability of the device.

**Terms and conditions of commercial sale** — NXP Semiconductors products are sold subject to the general terms and conditions of commercial sale, as published at <http://www.nxp.com/profile/terms>, unless otherwise agreed in a valid written individual agreement. In case an individual agreement is concluded only the terms and conditions of the respective agreement shall apply. NXP Semiconductors hereby expressly objects to applying the customer's general terms and conditions with regard to the purchase of NXP Semiconductors products by customer.

**No offer to sell or license** — Nothing in this document may be interpreted or construed as an offer to sell products that is open for acceptance or the grant, conveyance or implication of any license under any copyrights, patents or other industrial or intellectual property rights.

**Export control** — This document as well as the item(s) described herein may be subject to export control regulations. Export might require a prior authorization from competent authorities.

**Quick reference data** — The Quick reference data is an extract of the product data given in the Limiting values and Characteristics sections of this document, and as such is not complete, exhaustive or legally binding.

**Non-automotive qualified products** — Unless this data sheet expressly states that this specific NXP Semiconductors product is automotive qualified, the product is not suitable for automotive use. It is neither qualified nor tested in accordance with automotive testing or application requirements. NXP Semiconductors accepts no liability for inclusion and/or use of non-automotive qualified products in automotive equipment or applications.

In the event that customer uses the product for design-in and use in automotive applications to automotive specifications and standards, customer (a) shall use the product without NXP Semiconductors' warranty of the product for such automotive applications, use and specifications, and (b) whenever customer uses the product for automotive applications beyond NXP Semiconductors' specifications such use shall be solely at customer's own risk, and (c) customer fully indemnifies NXP Semiconductors for any liability, damages or failed product claims resulting from customer design and use of the product for automotive applications beyond NXP Semiconductors' standard warranty and NXP Semiconductors' product specifications.

## 18.4 Trademarks

Notice: All referenced brands, product names, service names and trademarks are the property of their respective owners.

## 19. Contact information

For more information, please visit: <http://www.nxp.com>

For sales office addresses, please send an email to: [salesaddresses@nxp.com](mailto:salesaddresses@nxp.com)

## 20. Contents

<b>1</b>	<b>Product profile</b> . . . . .	<b>1</b>	<b>20</b>	<b>Contents</b> . . . . .	<b>24</b>
1.1	General description . . . . .	1			
1.2	Features and benefits . . . . .	1			
1.3	Applications . . . . .	1			
1.4	Quick reference data . . . . .	1			
<b>2</b>	<b>Pinning information</b> . . . . .	<b>2</b>			
2.1	Pinning . . . . .	2			
2.2	Pin description . . . . .	2			
<b>3</b>	<b>Ordering information</b> . . . . .	<b>2</b>			
3.1	Ordering options . . . . .	3			
<b>4</b>	<b>Block diagram</b> . . . . .	<b>4</b>			
<b>5</b>	<b>Limiting values</b> . . . . .	<b>5</b>			
<b>6</b>	<b>Recommended operating conditions</b> . . . . .	<b>5</b>			
<b>7</b>	<b>Thermal characteristics</b> . . . . .	<b>6</b>			
<b>8</b>	<b>Characteristics</b> . . . . .	<b>6</b>			
<b>9</b>	<b>Dynamic behavior</b> . . . . .	<b>8</b>			
9.1	Dropout . . . . .	8			
9.2	Working voltage tolerance . . . . .	9			
9.3	Noise . . . . .	9			
9.4	Quiescent current . . . . .	10			
9.5	Line regulation . . . . .	11			
9.6	Load regulation . . . . .	12			
9.7	Start-up, inrush current . . . . .	13			
9.8	Power Supply Rejection Ratio (PSRR) . . . . .	13			
<b>10</b>	<b>Application information</b> . . . . .	<b>14</b>			
10.1	Input and output capacitor values . . . . .	14			
10.2	Optional delay circuit . . . . .	14			
<b>11</b>	<b>Test information</b> . . . . .	<b>16</b>			
11.1	Quality information . . . . .	16			
<b>12</b>	<b>Marking</b> . . . . .	<b>16</b>			
<b>13</b>	<b>Package outline</b> . . . . .	<b>17</b>			
<b>14</b>	<b>Packing information</b> . . . . .	<b>18</b>			
14.1	Packing methods . . . . .	18			
14.2	Carrier tape information . . . . .	18			
<b>15</b>	<b>Soldering</b> . . . . .	<b>19</b>			
<b>16</b>	<b>PCB assembly guidelines for Pb-free soldering</b> . . . . .	<b>20</b>			
<b>17</b>	<b>Revision history</b> . . . . .	<b>21</b>			
<b>18</b>	<b>Legal information</b> . . . . .	<b>22</b>			
18.1	Data sheet status . . . . .	22			
18.2	Definitions . . . . .	22			
18.3	Disclaimers . . . . .	22			
18.4	Trademarks . . . . .	23			
<b>19</b>	<b>Contact information</b> . . . . .	<b>23</b>			

Please be aware that important notices concerning this document and the product(s) described herein, have been included in section 'Legal information'.

© NXP B.V. 2013.

All rights reserved.

For more information, please visit: <http://www.nxp.com>

For sales office addresses, please send an email to: [salesaddresses@nxp.com](mailto:salesaddresses@nxp.com)

Date of release: 29 May 2013

Document identifier: LD6935\_SER