



Chipsmall Limited consists of a professional team with an average of over 10 year of expertise in the distribution of electronic components. Based in Hongkong, we have already established firm and mutual-benefit business relationships with customers from,Europe,America and south Asia,supplying obsolete and hard-to-find components to meet their specific needs.

With the principle of "Quality Parts,Customers Priority,Honest Operation,and Considerate Service",our business mainly focus on the distribution of electronic components. Line cards we deal with include Microchip,ALPS,ROHM,Xilinx,Pulse,ON,Everlight and Freescale. Main products comprise IC,Modules,Potentiometer,IC Socket,Relay,Connector.Our parts cover such applications as commercial,industrial, and automotives areas.

We are looking forward to setting up business relationship with you and hope to provide you with the best service and solution. Let us make a better world for our industry!



Contact us

Tel: +86-755-8981 8866 Fax: +86-755-8427 6832

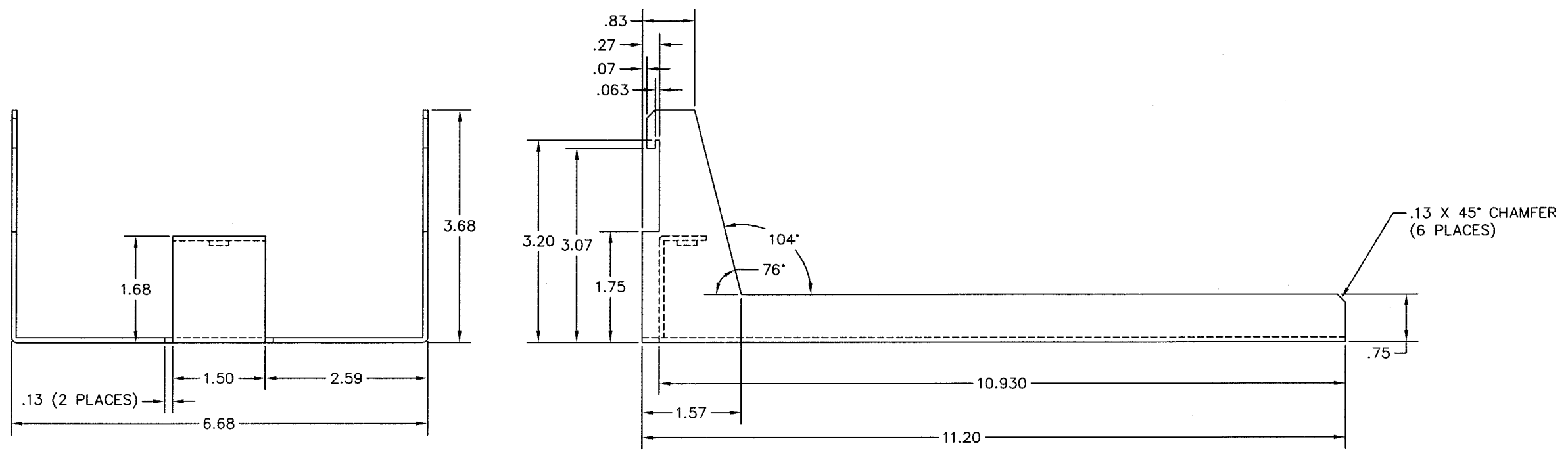
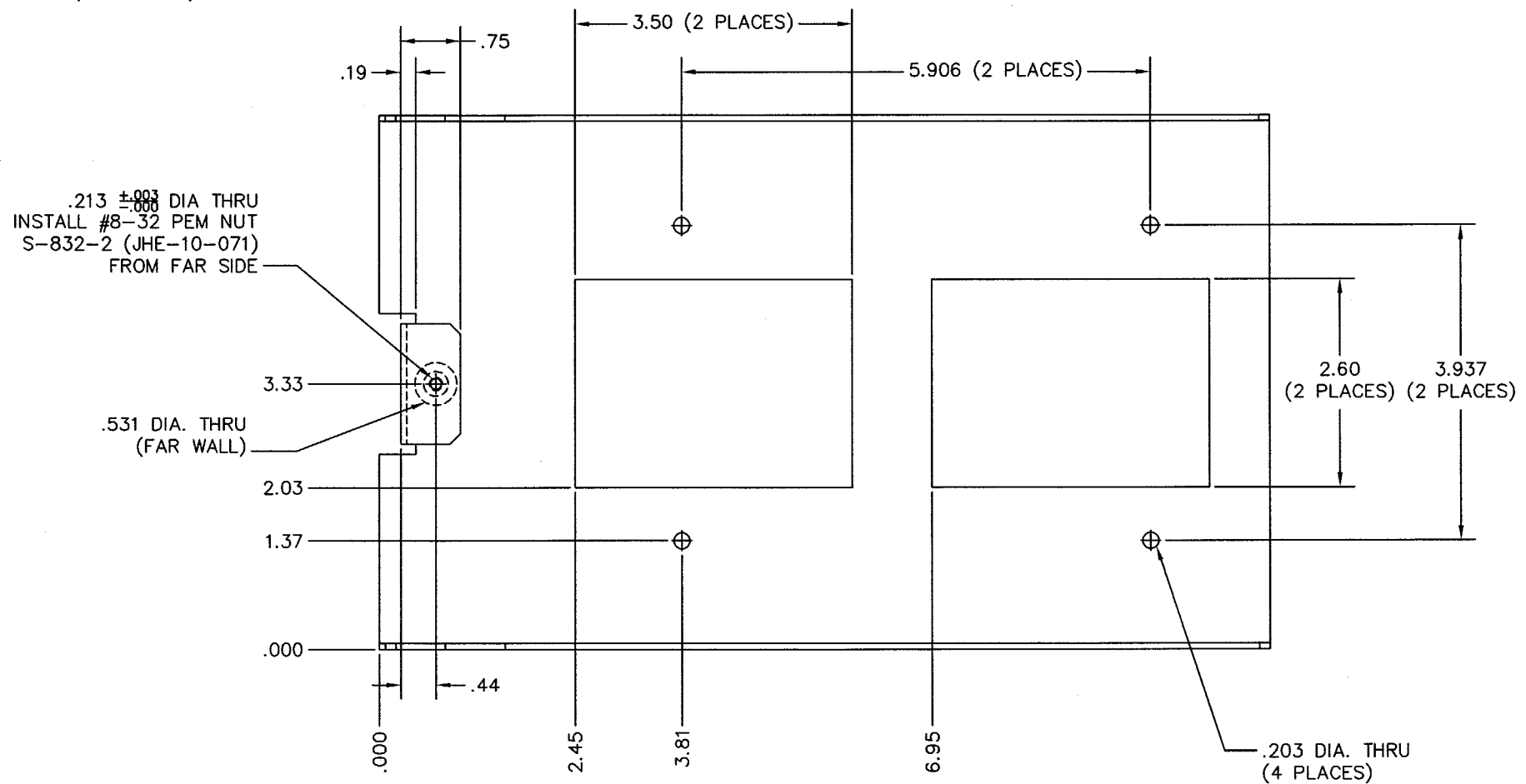
Email & Skype: info@chipsmall.com Web: www.chipsmall.com

Address: A1208, Overseas Decoration Building, #122 Zhenhua RD., Futian, Shenzhen, China



NOTE:
 1. FINISH: ZINC PLATE WITH YELLOW CHROMATE
 PER ASTM SPEC B633-85, TYPE 2, CLASS 2 (.0005 THK.)

REVISIONS					
SYM.	DESCRIPTION	DATE	ENG	PUR	QULTY
A	ORIGINAL	9/17/99			



REV'D	PART No.	ITEM	DESCRIPTION	MAT'L OR MFR.	MAT'L SPEC. OR CAT. No. OR REMARKS
LIST OF MATERIALS					
UNLESS OTHERWISE SPECIFIED, DIMENSIONS ARE IN INCHES AND TOLERANCES ARE AS FOLLOWS: DECIMALS: ±.005 FRACTIONS: ± 1/64 HOLES: ± 1/2°			MATERIAL: .075 THK. (14 GA.) C.R.S.		FINISH: SEE NOTE 1.
SIGNATURE			DATE	TITLE	
DR. J. Leighton			9/17/99	BRACKET, DIN MTG. JWS300/JWS600	
USED ON			NEXT ASSY.	SCALE 1 / 1	
APPLICATION				LAMBDA PART No. & Dwg. No. L-DIN3060-01-24	
				REV. A	
				SHEET 1 OF 1	

