



Chipsmall Limited consists of a professional team with an average of over 10 year of expertise in the distribution of electronic components. Based in Hongkong, we have already established firm and mutual-benefit business relationships with customers from,Europe,America and south Asia,supplying obsolete and hard-to-find components to meet their specific needs.

With the principle of “Quality Parts,Customers Priority,Honest Operation,and Considerate Service”,our business mainly focus on the distribution of electronic components. Line cards we deal with include Microchip,ALPS,ROHM,Xilinx,Pulse,ON,Everlight and Freescale. Main products comprise IC,Modules,Potentiometer,IC Socket,Relay,Connector.Our parts cover such applications as commercial,industrial, and automotives areas.

We are looking forward to setting up business relationship with you and hope to provide you with the best service and solution. Let us make a better world for our industry!



## Contact us

Tel: +86-755-8981 8866 Fax: +86-755-8427 6832

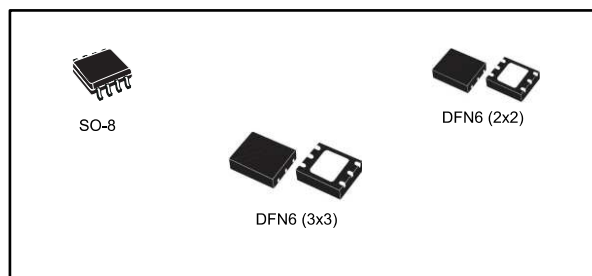
Email & Skype: info@chipsmall.com Web: www.chipsmall.com

Address: A1208, Overseas Decoration Building, #122 Zhenhua RD., Futian, Shenzhen, China



## High PSRR, low drop linear regulator IC

Datasheet - production data



### Features

- Input voltage from 2.5 V to 18 V
- 20 V AMR
- Any fixed output voltages, from 1.2 V to 12 V in 100 mV steps (from 1.2 V to 6.6 V in 50 mV steps) available on request
- Adjustable version from 1.18 V to  $V_{IN} - V_{DROPO(MAX)}$
- Guaranteed output current 1.2 A
- Typical dropout 350 mV@1.2 A
- Undervoltage lockout
- Enable function
- Internal thermal, current and power limitation
- High PSRR: 87 dB @ 120 Hz, 75 dB @ 1 kHz
- Operating temperature range: -40 °C to 125 °C
- Packages SO-8 batwing plastic micropackage, DFN6 (3x3) and DFN6 (2x2)

### Applications

- Consumer
- Industrial
- SMPS
- Point-of-load
- DC-DC post-regulation

### Description

The LDL212 provides 1.2 A of maximum current from an input voltage range from 2.5 V to 18 V, with a typical dropout voltage of 350 mV @ 1.2 A. The high power supply rejection ratio of 87 dB at 120 Hz, and more than 40 dB at 100 kHz, makes the LDL212 suitable for direct regulation in SMPS and secondary linear regulation in DC-DC converters. The LDL212 goes to shutdown mode due to the enable logic control function, reducing the total current consumption. The device also includes the current limit, SOA and thermal protections.

---

**Contents**

<b>1</b>	<b>Block diagram.....</b>	<b>3</b>
<b>2</b>	<b>Pin configuration .....</b>	<b>4</b>
<b>3</b>	<b>Typical application .....</b>	<b>5</b>
<b>4</b>	<b>Maximum ratings .....</b>	<b>6</b>
<b>5</b>	<b>Electrical characteristics .....</b>	<b>7</b>
<b>6</b>	<b>Typical performance characteristics .....</b>	<b>9</b>
<b>7</b>	<b>Package information .....</b>	<b>15</b>
	7.1 DFN6 (3x3) package information .....	15
	7.2 DFN6 (3x3) packing information.....	17
	7.3 DFN6 (2x2) package information .....	19
	7.4 DFN6 (2x2) packing information.....	22
	7.5 SO8-batwing package information .....	23
	7.6 SO8-batwing packing information .....	25
<b>8</b>	<b>Ordering information.....</b>	<b>26</b>
<b>9</b>	<b>Revision history .....</b>	<b>27</b>

# 1 Block diagram

Figure 1: Block diagram (fixed)

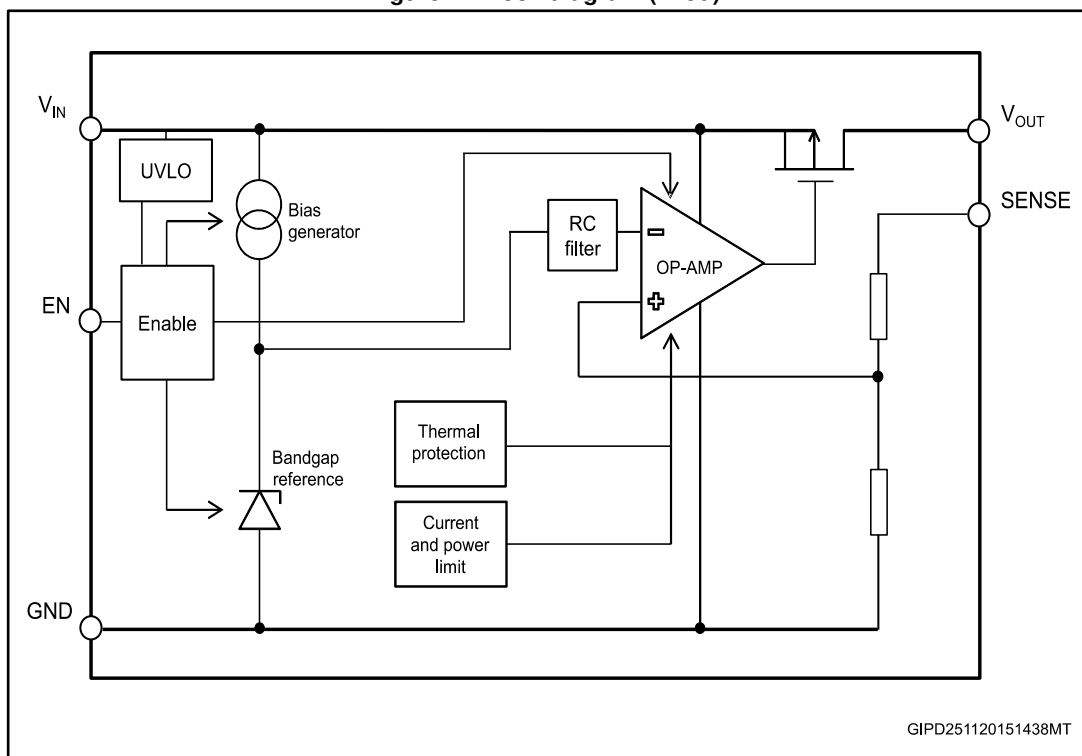
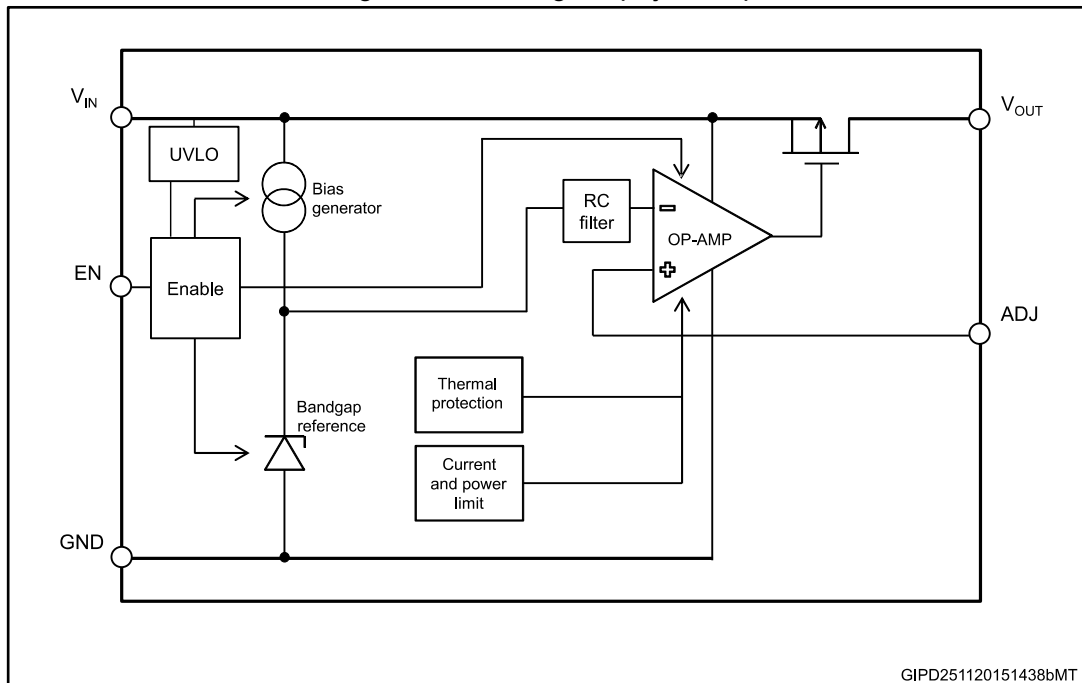


Figure 2: Block diagram (adjustable)



## 2 Pin configuration

Figure 3: Pin configuration (top view)

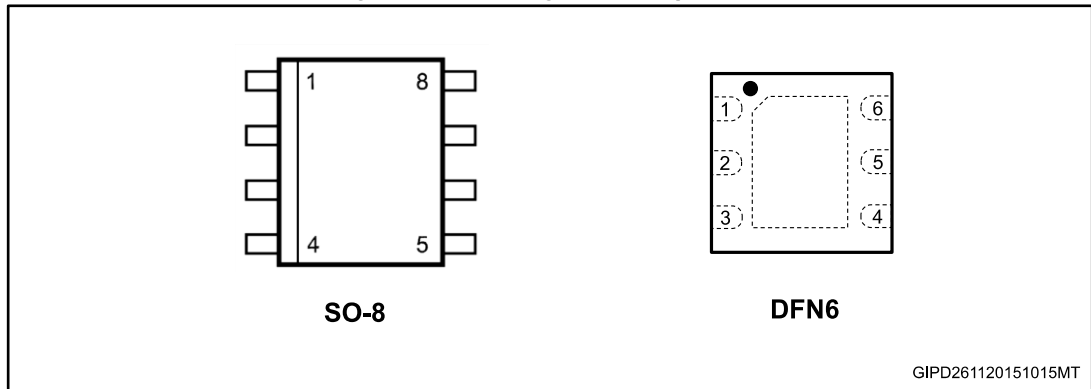


Table 1: Pin description

Pin name	Pin number (SO-8)	Pin number (DFN6)	Description
V <sub>IN</sub>	4	4	Input voltage
V <sub>OUT</sub>	1	3	Output voltage
GND	2, 3, 6, 7	1	Ground
ADJ/sense	8	2	Feedback pin for adjustable version / V <sub>OUT</sub> sense <sup>(1)</sup> on fixed version
EN	5	6	Enable pin. The device is in off-state when this pin is pulled low
NC	-	5	Not connected

**Notes:**

<sup>(1)</sup> The sense pin on the fixed version must be connected to V<sub>OUT</sub> for proper operation.

### 3 Typical application

Figure 4: Typical application circuit (adjustable version)

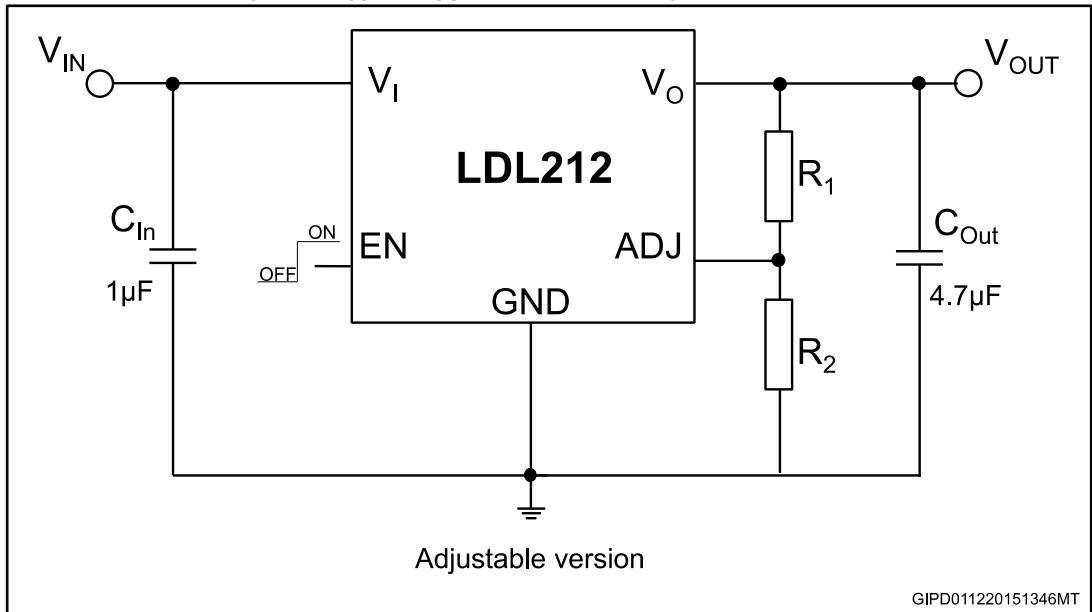
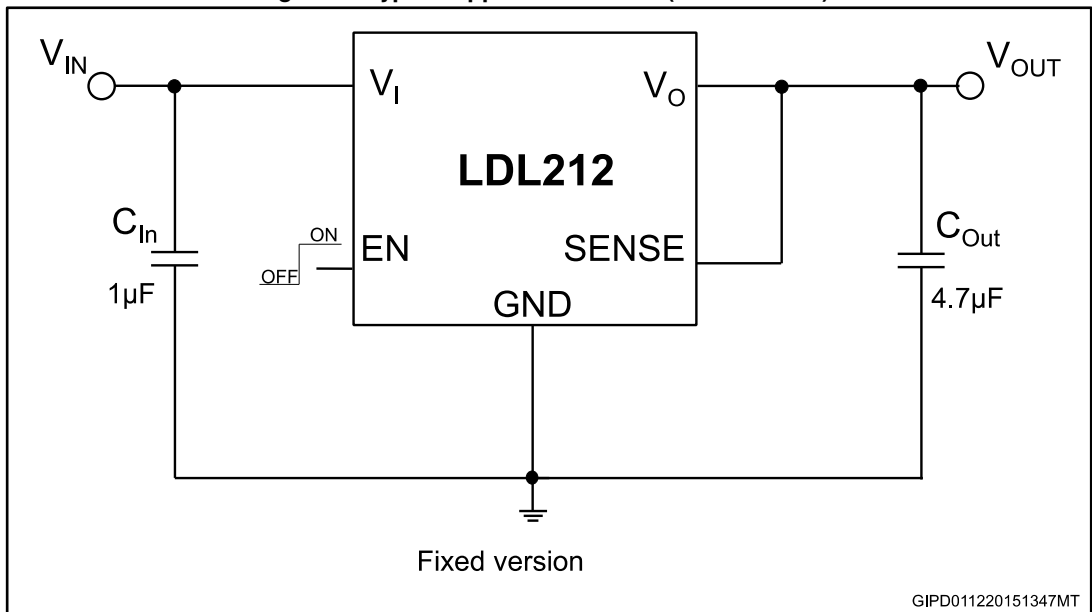


Figure 5: Typical application circuit (fixed version)



R1 and R2 are calculated according to the following formula:  $R_1 = R_2 \times (V_{OUT}/V_{ADJ} - 1)$ . The output voltage of the adjustable version can be set from 1.18 V to  $V_{IN} - V_{DROPMAX}$ , where  $V_{DROPMAX}$  is the maximum dropout voltage, as defined in [Table 4: "Electrical characteristics"](#).



## 4 Maximum ratings

**Table 2: Absolute maximum ratings**

Symbol	Parameter	Value	Unit
$V_{IN}$	DC input voltage	- 0.3 to 20	V
$V_{OUT}$	DC output voltage	- 0.3 to $V_{IN} + 0.3$	V
$V_{EN}$	Enable input voltage	- 0.3 to $V_{IN} + 0.3$	V
$V_{SENSE}$	Output sense pin voltage	- 0.3 to $V_{IN} + 0.3$	V
$V_{ADJ}$	ADJ pin voltage	- 0.3 to 2	V
$I_{OUT}$	Output current	Internally limited	mA
$P_D$	Power dissipation	Internally limited	mW
$T_{STG}$	Storage temperature range	- 55 to 150	°C
$T_{OP}$	Operating junction temperature range	- 40 to 125	°C



Absolute maximum ratings are those values beyond which damage to the device may occur. Functional operation under these conditions is not implied.

**Table 3: Thermal data**

Symbol	Parameter	Value	Unit
SO-8 batwing plastic micropackage	Thermal resistance junction-to-case	20	°C/W
	Thermal resistance junction-to-ambient	55	
DFN6 (2x2)	Thermal resistance junction-to-case	15	
	Thermal resistance junction-to-ambient	65	
DFN6 (3x3)	Thermal resistance junction-to-case	10	
	Thermal resistance junction-to-ambient	55	

## 5 Electrical characteristics

$T_J = 25\text{ }^\circ\text{C}$ ,  $V_{IN} = V_{OUT(NOM)} + 1\text{ V}$ ,  $C_{IN} = 1\text{ }\mu\text{F}$ ,  $C_{OUT} = 4.7\text{ }\mu\text{F}$ ,  $I_{OUT} = 10\text{ mA}$ ,  $V_{EN} = V_{IN}$ , unless otherwise specified. <sup>a</sup>

Table 4: Electrical characteristics

Symbol	Parameter	Test conditions	Min.	Typ.	Max.	Unit
$V_{IN}$	Operating input voltage		2.5		18	V
$V_{UVLO}$	Turn-on threshold			2.3	2.4	V
	Hysteresis			200		mV
$V_{OUT}$	$V_{OUT}$ accuracy	$I_{OUT} = 10\text{ mA}$	-2		2	%
		$T_J = 25\text{ }^\circ\text{C}$				
		$I_{OUT} = 10\text{ mA}$	-3		3	%
		$-40\text{ }^\circ\text{C} < T_J < 125\text{ }^\circ\text{C}$				
$V_{ADJ}$	Adjustable pin voltage	$V_{IN} = 2.5\text{ V}$ $I_{OUT} = 10\text{ mA}$ $T_J = 25\text{ }^\circ\text{C}$	-2	1.18	+2	V
		$V_{IN} = 2.5\text{ V}$ $I_{OUT} = 10\text{ mA}$ $-40\text{ }^\circ\text{C} < T_J < 125\text{ }^\circ\text{C}$	-3		+3	%
$I_{ADJ}$	Adjustable pin current	$V_{IN} = 2.5\text{ V}$ $I_{OUT} = 10\text{ mA}$		20		nA
$\Delta V_{OUT}$	Line regulation	$V_{OUT} + 1\text{ V} \leq V_{IN} \leq 18\text{ V}$ $I_{OUT} = 10\text{ mA}$		0.002	0.01	%/V
$\Delta V_{OUT}$	Load regulation	$I_{OUT} = 10\text{ mA}$ to $1.2\text{ A}$		0.0001	0.0005	%/mA
$V_{DROP}$	Dropout voltage <sup>(1)</sup>	$I_{OUT} = 1.2\text{ A}$ $V_{OUT} > 3\text{ V}$ $-40\text{ }^\circ\text{C} < T_J < 125\text{ }^\circ\text{C}$		350	600	mV
eN	Output noise voltage	10 Hz to 100 kHz, $I_{OUT} = 100\text{ mA}$		60		$\mu\text{V}_{RMS}/V_{OUT}$
SVR	Supply voltage rejection	$V_{IN} = V_{OUT(NOM)} + 1\text{ V} \pm V_{RIPPLE}$		87		dB
		$V_{RIPPLE} = 0.5\text{ V}$ , $f = 120\text{ Hz}$				
		$V_{IN} = V_{OUT(NOM)} + 1\text{ V} \pm V_{RIPPLE}$		75		
		$V_{RIPPLE} = 0.5\text{ V}$ , $f = 1\text{ kHz}$				
$V_{IN} = V_{OUT(NOM)} + 1\text{ V} \pm V_{RIPPLE}$		50				
$V_{RIPPLE} = 0.5\text{ V}$ , $f = 100\text{ kHz}$						
$I_Q$	Quiescent current	$I_{OUT} = 0\text{ mA}$ to $1.2\text{ A}$ $-40\text{ }^\circ\text{C} < T_J < 125\text{ }^\circ\text{C}$		250	380	$\mu\text{A}$
		$V_{IN}$ input current in OFF mode		0.3	1.5	

<sup>a</sup> For  $V_{OUT(NOM)} \leq 1.5\text{ V}$ ,  $V_{IN} = 2.7\text{ V}$ .



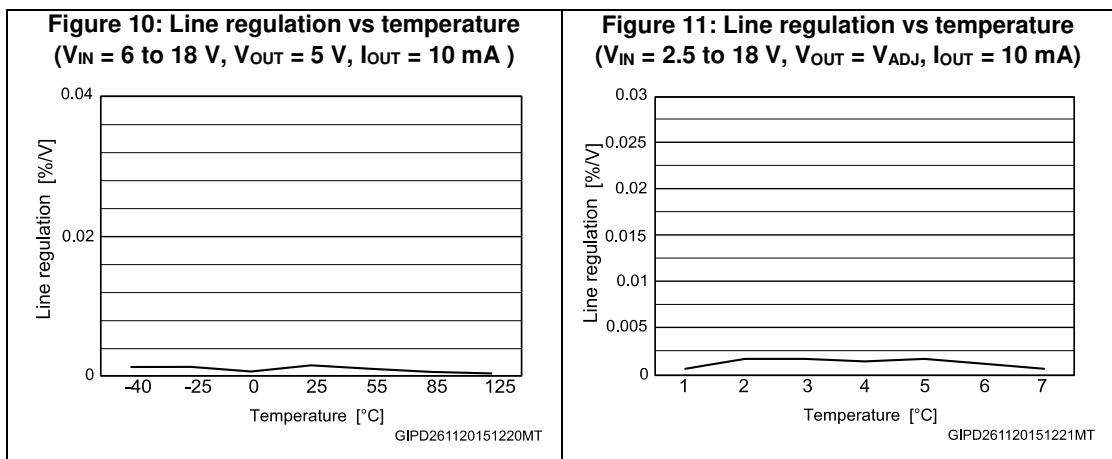
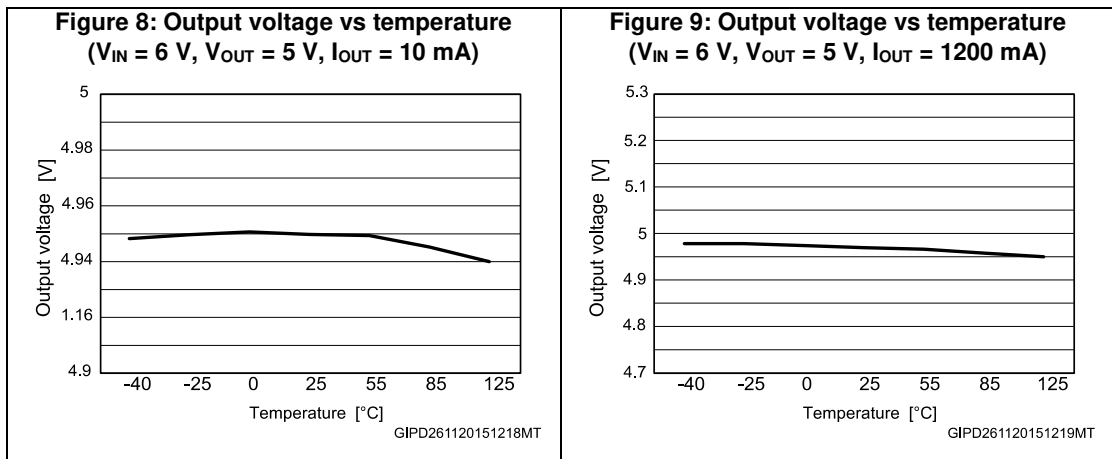
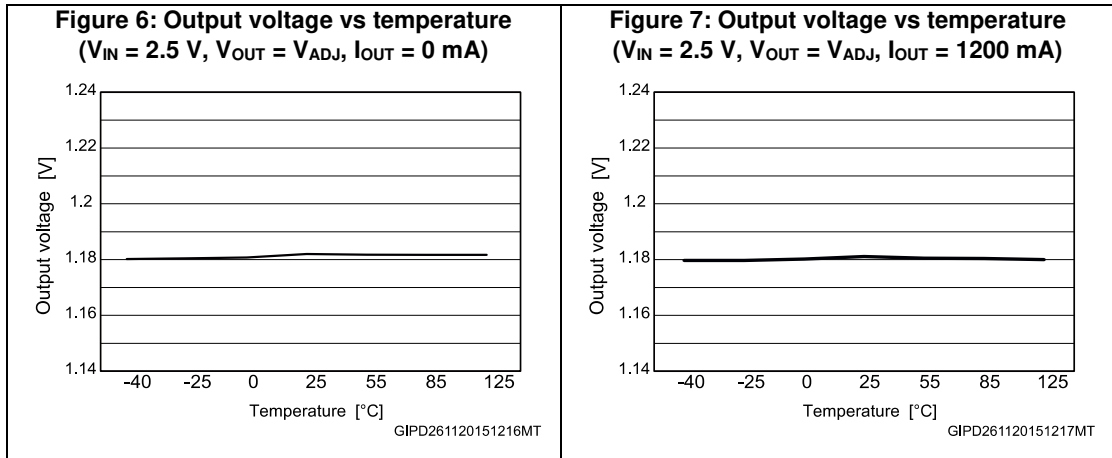
Symbol	Parameter	Test conditions	Min.	Typ.	Max.	Unit
		$V_{EN} = \text{GND}$ $V_{IN} = 18 \text{ V}$				
$I_{SC}$	Short-circuit current	$R_L = 0$	1.5	2		A
$V_{EN}$	Enable input logic low	$V_{IN} = 2.5 \text{ V to } 18 \text{ V}$ $-40 \text{ }^\circ\text{C} < T_J < 85 \text{ }^\circ\text{C}$			0.4	V
	Enable input logic high	$V_{IN} = 2.5 \text{ V to } 18 \text{ V}$ $-40 \text{ }^\circ\text{C} < T_J < 85 \text{ }^\circ\text{C}$	1.2			
$I_{EN}$	Enable input current			1.5		$\mu\text{A}$
		$V_{EN} = V_{IN}$ , $V_{IN} = 18 \text{ V}$		16	20	
$T_{ON}$	Turn-on time <sup>(2)</sup>			120		$\mu\text{s}$
$T_{SHDN}$	Thermal shutdown			175		$^\circ\text{C}$
	Hysteresis			25		

**Notes:**

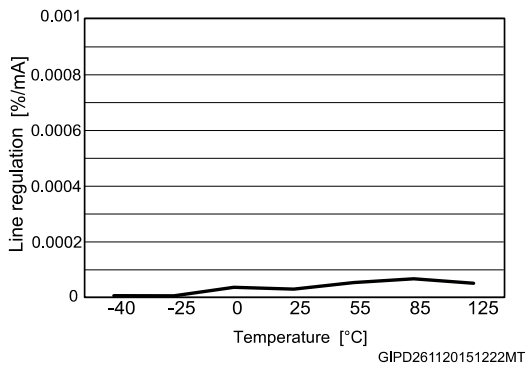
<sup>(1)</sup> Dropout voltage is the input-to-output voltage difference at which the output voltage is 100 mV below its nominal value. This specification is not valid for output voltages below 2.2 V.

<sup>(2)</sup> Turn-on time is the time measured between the enable input just exceeding  $V_{EN}$  high value and the output voltage just reaching 95% of its nominal value.

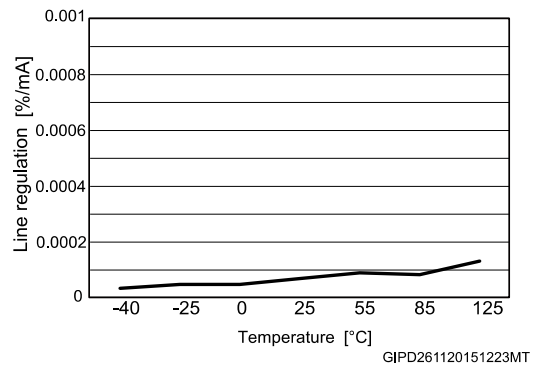
## 6 Typical performance characteristics



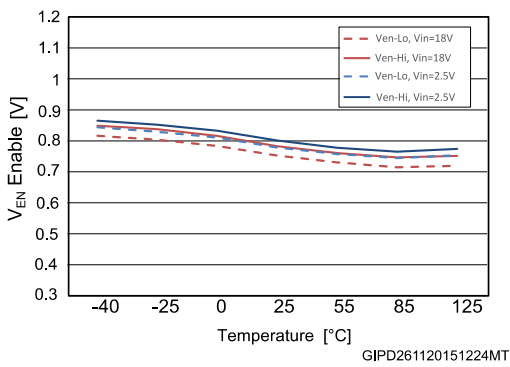
**Figure 12: Load regulation vs temperature**  
( $V_{IN} = 6\text{ V}$ ,  $V_{OUT} = 5\text{ V}$ ,  $I_{OUT} = 10\text{ to }1200\text{ mA}$ )



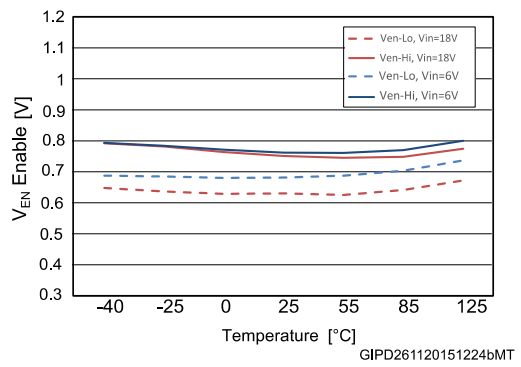
**Figure 13: Load regulation vs temperature**  
( $V_{IN} = 2.5\text{ V}$ ,  $V_{OUT} = V_{ADJ}$ ,  $I_{OUT} = 0\text{ to }1200\text{ mA}$ )



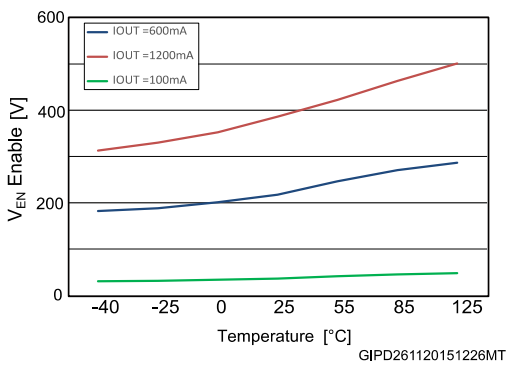
**Figure 14: Enable thresholds vs temperature**  
( $V_{OUT} = V_{ADJ}$ )



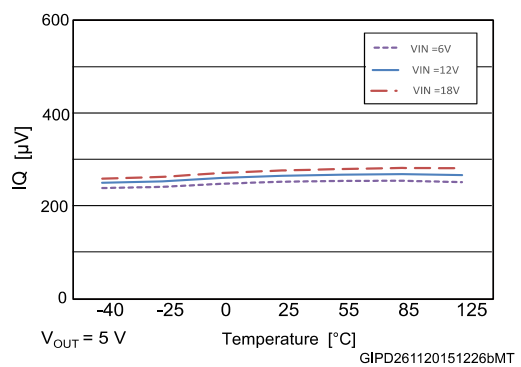
**Figure 15: Enable thresholds vs temperature**  
( $V_{OUT} = 5\text{ V}$ )



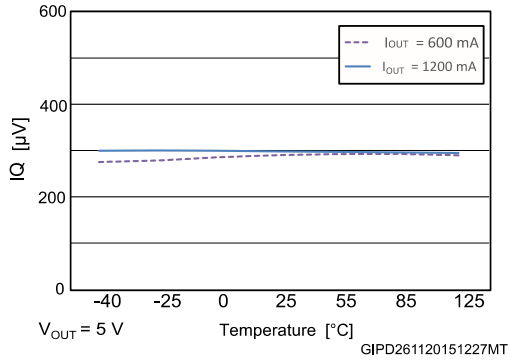
**Figure 16: Dropout voltage vs temperature**



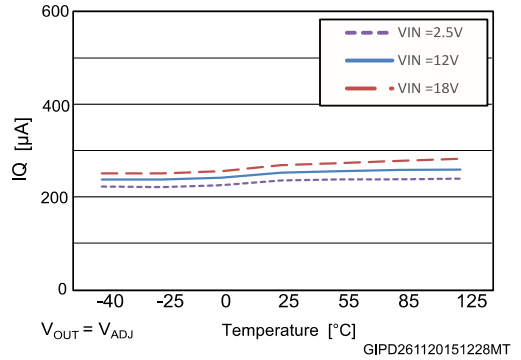
**Figure 17: Quiescent current vs temperature**  
( $V_{OUT} = 5\text{ V}$ ,  $I_{OUT} = 0\text{ mA}$ )



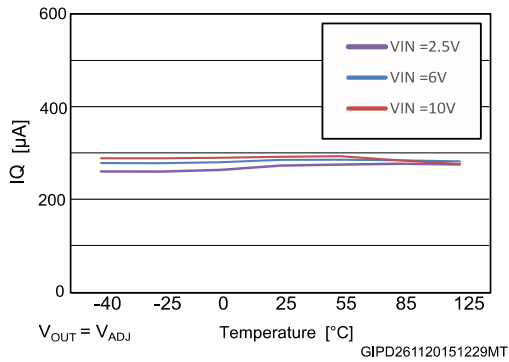
**Figure 18: Quiescent current vs temperature**  
( $V_{OUT} = 5\text{ V}$ ,  $I_{OUT} = 600\text{ mA}$ ,  $1.2\text{ A}$ )



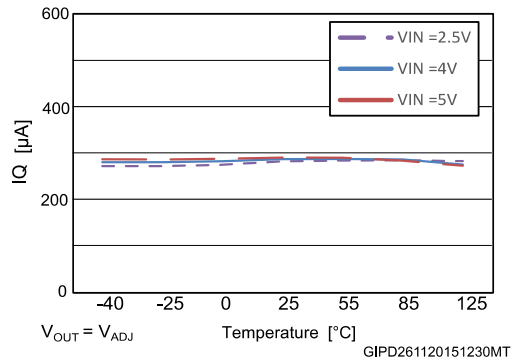
**Figure 19: Quiescent current vs temperature**  
( $V_{OUT} = V_{ADJ}$ ,  $I_{OUT} = 0\text{ mA}$ )



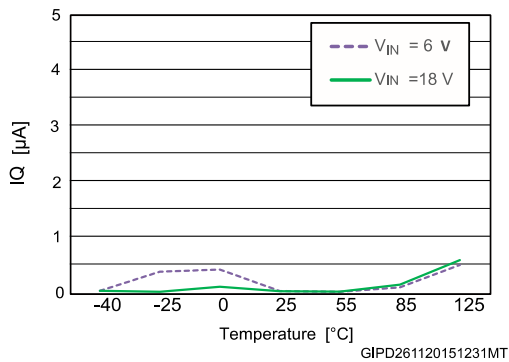
**Figure 20: Quiescent current vs temperature**  
( $V_{OUT} = V_{ADJ}$ ,  $I_{OUT} = 600\text{ mA}$ )



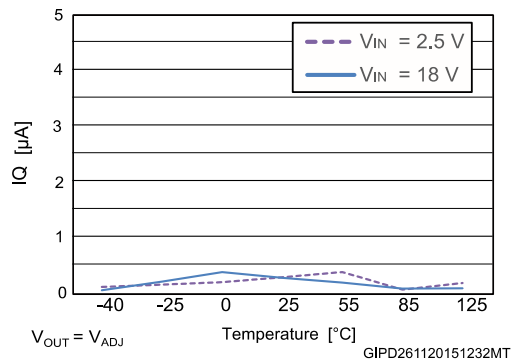
**Figure 21: Quiescent current vs temperature**  
( $V_{OUT} = V_{ADJ}$ ,  $I_{OUT} = 1.2\text{ A}$ )



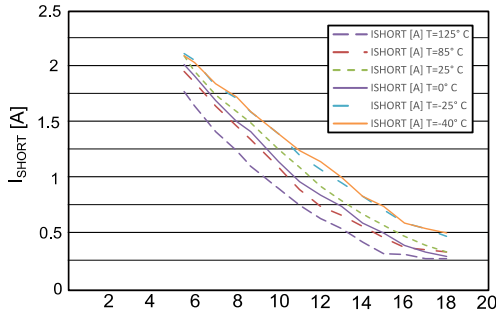
**Figure 22: Off-state current vs temperature**  
( $V_{OUT} = 5\text{ V}$ )



**Figure 23: Off-state current vs temperature**  
( $V_{OUT} = V_{ADJ}$ )

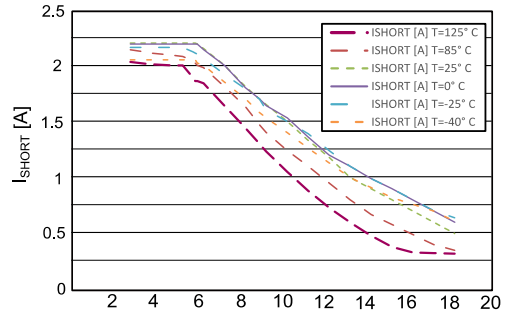


**Figure 24: Short-circuit current vs dropout voltage ( $V_{OUT} = 5\text{ V}$ )**



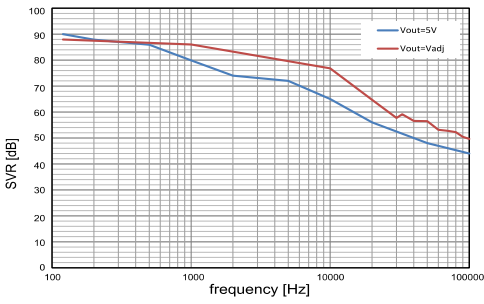
$V_{EN}$  to  $V_{IN}$ ,  $C_{IN}=1\mu\text{F}$ ,  $C_{OUT}=4.7\mu\text{F}$  GIPD261120151233MT

**Figure 25: Short-circuit current vs dropout voltage ( $V_{OUT} = V_{ADJ}$ )**



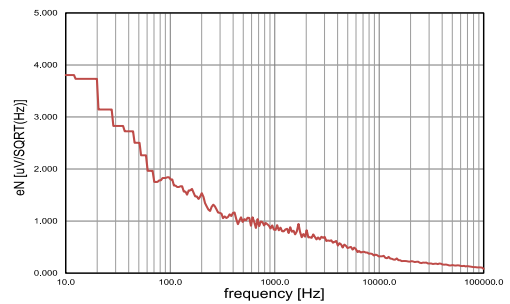
$V_{EN}$  to  $V_{IN}$ ,  $C_{IN}=1\mu\text{F}$ ,  $C_{OUT}=4.7\mu\text{F}$  GIPD261120151235MT

**Figure 26: SVR versus frequency**



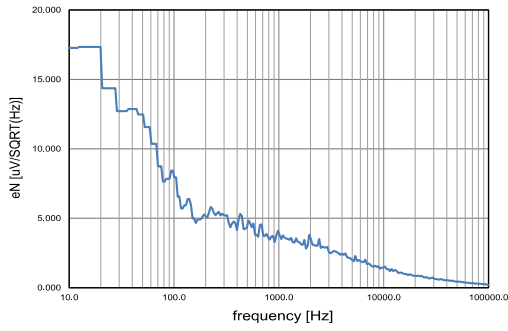
For  $V_{OUT} = 5\text{ V}$ ,  $V_{IN} = V_{EN}$  from 5.5 to 6.5V,  $I_{OUT} = 10\text{ mA}$ ,  $C_{IN} = 1\mu\text{F}$ ,  $C_{OUT} = 4.7\mu\text{F}$   
 For  $V_{OUT} = V_{ADJ}$ ,  $V_{IN} = V_{EN}$  from 2.5 to 3.5V,  $I_{OUT} = 10\text{ mA}$ , No  $C_{IN}$ ,  $C_{OUT} = 4.7\mu\text{F}$   
 GIPD261120151236MT

**Figure 27: Output noise spectral density ( $V_O = V_{ADJ}$ )**



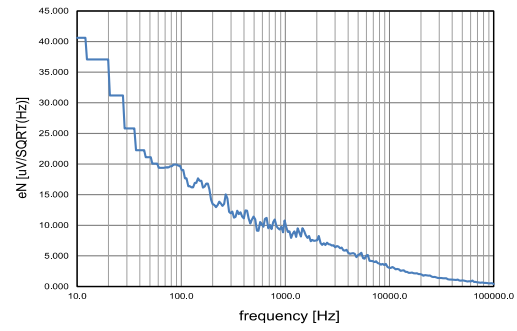
$V_{IN} = V_{EN} = 2.5\text{ V}$ ,  $V_{OUT} = V_{ADJ}$ ,  $I_{OUT} = 100\text{ mA}$ ,  $C_{IN} = 1\mu\text{F}$ ,  $C_{OUT} = 4.7\mu\text{F}$   
 GIPD261120151237MT

**Figure 28: Output noise spectral density ( $V_O = 5\text{ V}$ )**



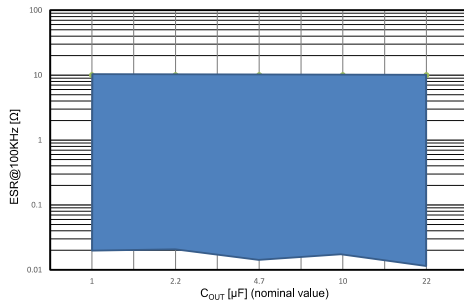
$V_{IN} = V_{EN} = 6\text{ V}$ ,  $V_{OUT} = 5\text{ V}$ ,  $I_{OUT} = 100\text{ mA}$ ,  $C_{IN} = 1\mu\text{F}$ ,  $C_{OUT} = 4.7\mu\text{F}$   
 GIPD261120151238MT

**Figure 29: Output noise spectral density ( $V_O = 12\text{ V}$ )**



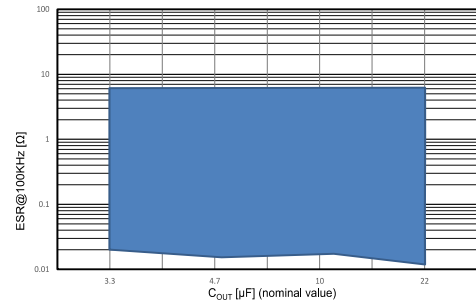
$V_{IN} = V_{EN} = 6\text{ V}$ ,  $V_{OUT} = 5\text{ V}$ ,  $I_{OUT} = 100\text{ mA}$ ,  $C_{IN} = 1\mu\text{F}$ ,  $C_{OUT} = 4.7\mu\text{F}$   
 GIPD261120151239MT

Figure 30: Stability plan ( $V_{OUT} = 5\text{ V}$ )



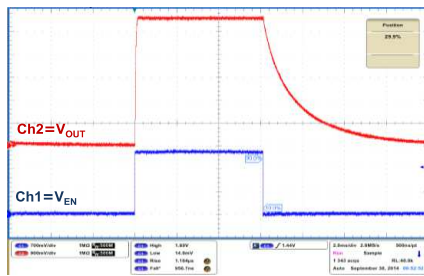
$V_{EN} = V_{IN}$  = from 6 V to 18 V,  $I_{OUT}$  = from 10 mA to 1.2 A (according to Max  $I_{OUT}$  vs  $V_{drop}$  characteristics),  $C_{IN} = 1\ \mu\text{F}$   
GIPD301120151004MT

Figure 31: Stability plan ( $V_{OUT} = V_{ADJ}$ )



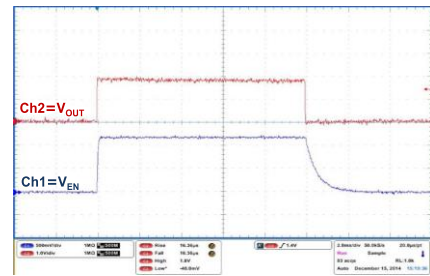
$V_{EN} = V_{IN}$  = from 2.5 V to 18 V,  $I_{OUT}$  = from 10 mA to 1.2 A (according to Max  $I_{OUT}$  vs  $V_{drop}$  characteristics),  $C_{IN} = 1\ \mu\text{F}$   
GIPD301120151005MT

Figure 32: Startup with enable ( $V_{OUT} = 5\text{ V}$ )



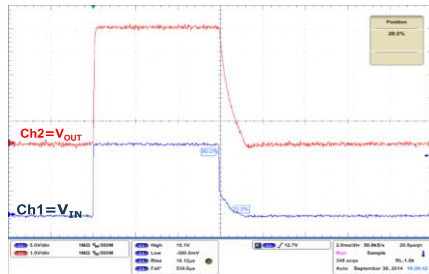
$V_{IN} = 15\text{ V}$ ,  $V_{EN}$  from 0 to 2 V,  $I_{OUT} = 10\text{ mA}$ ,  $C_{IN} = C_{OUT} = 1\ \mu\text{F}$ ,  $T_{rise} = 1\ \mu\text{s}$   
GIPD301120151405MT

Figure 33: Startup with enable ( $V_{OUT} = V_{ADJ}$ )



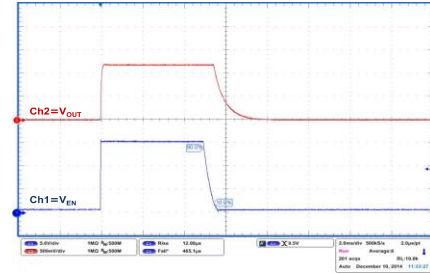
$V_{IN} = 15\text{ V}$ ,  $V_{EN}$  from 0 to 2 V,  $I_{OUT} = 10\text{ mA}$ ,  $C_{IN} = C_{OUT} = 1\ \mu\text{F}$ ,  $T_{rise} = 1\ \mu\text{s}$   
GIPD301120151406MT

Figure 34: Turn-on time ( $V_{OUT} = 5\text{ V}$ )



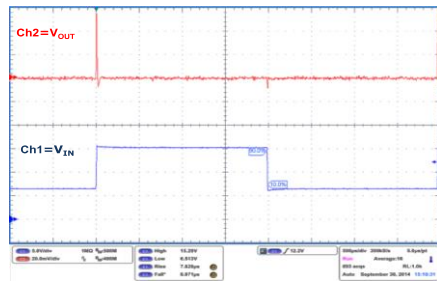
$V_{EN} = V_{IN}$  = from 0 to 15 V,  $I_{OUT} = 10\text{ mA}$ ,  $C_{OUT} = 1\ \mu\text{F}$ ,  $T_{rise} = 10\ \mu\text{s}$   
GIPD301120151407MT

Figure 35: Turn-on time ( $V_{OUT} = V_{ADJ}$ )



$V_{EN} = V_{IN}$  = from 0 to 15 V,  $I_{OUT} = 10\text{ mA}$ ,  $C_{IN} = 1\ \mu\text{F}$ ,  $C_{OUT} = 4.7\ \mu\text{F}$ ,  $T_{rise} = 10\ \mu\text{s}$   
GIPD301120151408MT

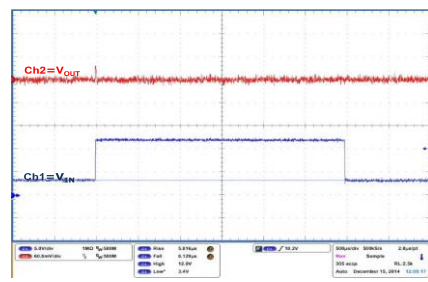
Figure 36: Line transient ( $V_{OUT} = 5\text{ V}$ )



$V_{IN}$  = from 6 to 15 V,  $I_{OUT}$  = 10 mA,  $C_{OUT}$  = 4.7  $\mu\text{F}$ ,  $t_r$  = 5  $\mu\text{s}$

GIPD301120151409MT

Figure 37: Line transient ( $V_{OUT} = V_{ADJ}$ )



$V_{IN}$  = from 3.5 to 15 V,  $I_{OUT}$  = 10 mA, NO  $C_{IN}$ ,  $C_{OUT}$  = 4.7  $\mu\text{F}$ ,  $t_r$  = 5  $\mu\text{s}$

GIPD301120151410MT

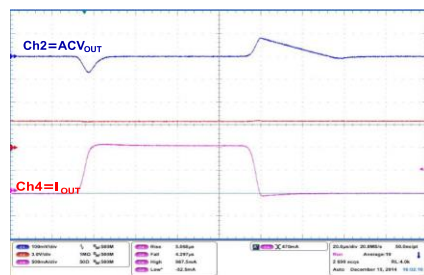
Figure 38: Load transient ( $V_{OUT} = 5\text{ V}$ )



$V_{EN}$  to  $V_{CC}$ ,  $V_{IN}$  = 6 V,  $I_{OUT}$  = from 10 mA to 1.2 A,  $C_{IN}$  = 1  $\mu\text{F}$ ,  $C_{OUT}$  = 4.7  $\mu\text{F}$ ,  $T_{rise}$  = 5  $\mu\text{s}$

GIPD301120151411MT

Figure 39: Load transient ( $V_{OUT} = V_{ADJ}$ )



$V_{EN}$  to  $V_{CC}$ ,  $V_{IN}$  = 3.5 V,  $I_{OUT}$  = from 10 mA to 1.2 A,  $C_{IN}$  = 1  $\mu\text{F}$ ,  $C_{OUT}$  = 4.7  $\mu\text{F}$ ,  $T_{rise}$  = 5  $\mu\text{s}$

GIPD301120151412MT



## 7 Package information

In order to meet environmental requirements, ST offers these devices in different grades of ECOPACK® packages, depending on their level of environmental compliance. ECOPACK® specifications, grade definitions and product status are available at: [www.st.com](http://www.st.com). ECOPACK® is an ST trademark.

### 7.1 DFN6 (3x3) package information

Figure 40: DFN6 (3x3) package outline

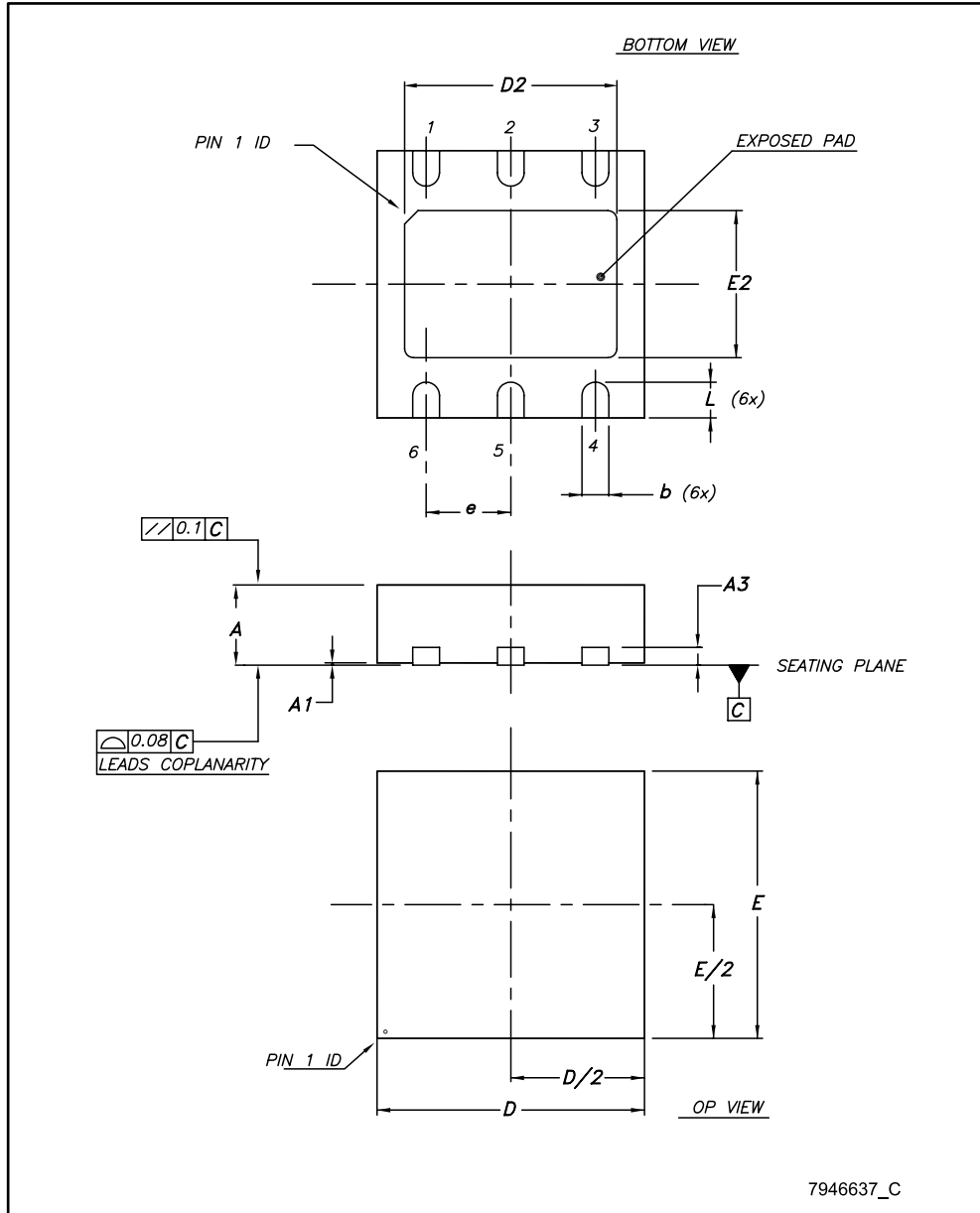
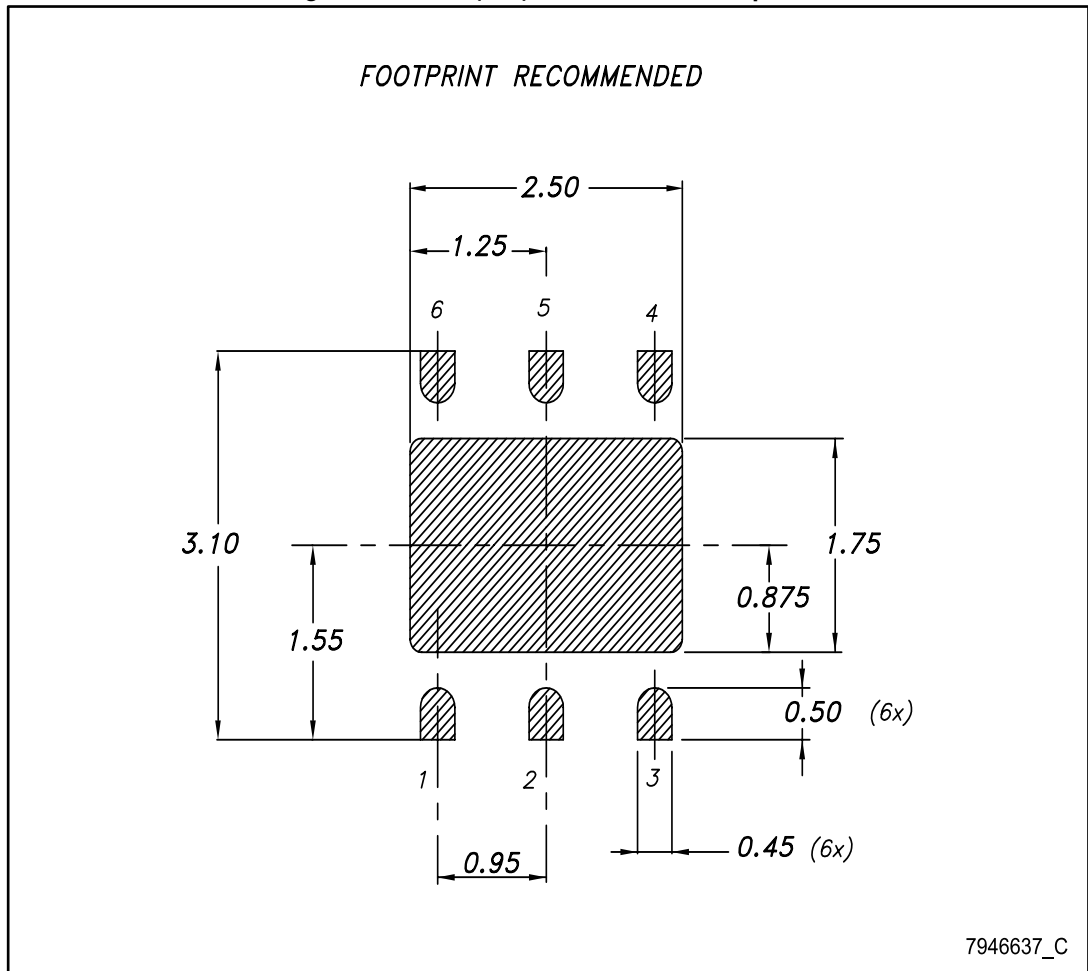


Table 5: DFN6 (3x3) mechanical data

Dim.	mm		
	Min.	Typ.	Max.
A	0.80		1
A1	0	0.02	0.05
A3		0.20	
b	0.23		0.45
D	2.90	3	3.10
D2	2.23		2.50
E	2.90	3	3.10
E2	1.50		1.75
e		0.95	
L	0.30	0.40	0.50

Figure 41: DFN6 (3x3) recommended footprint



## 7.2 DFN6 (3x3) packing information

Figure 42: DFN6 (3x3) tape outline

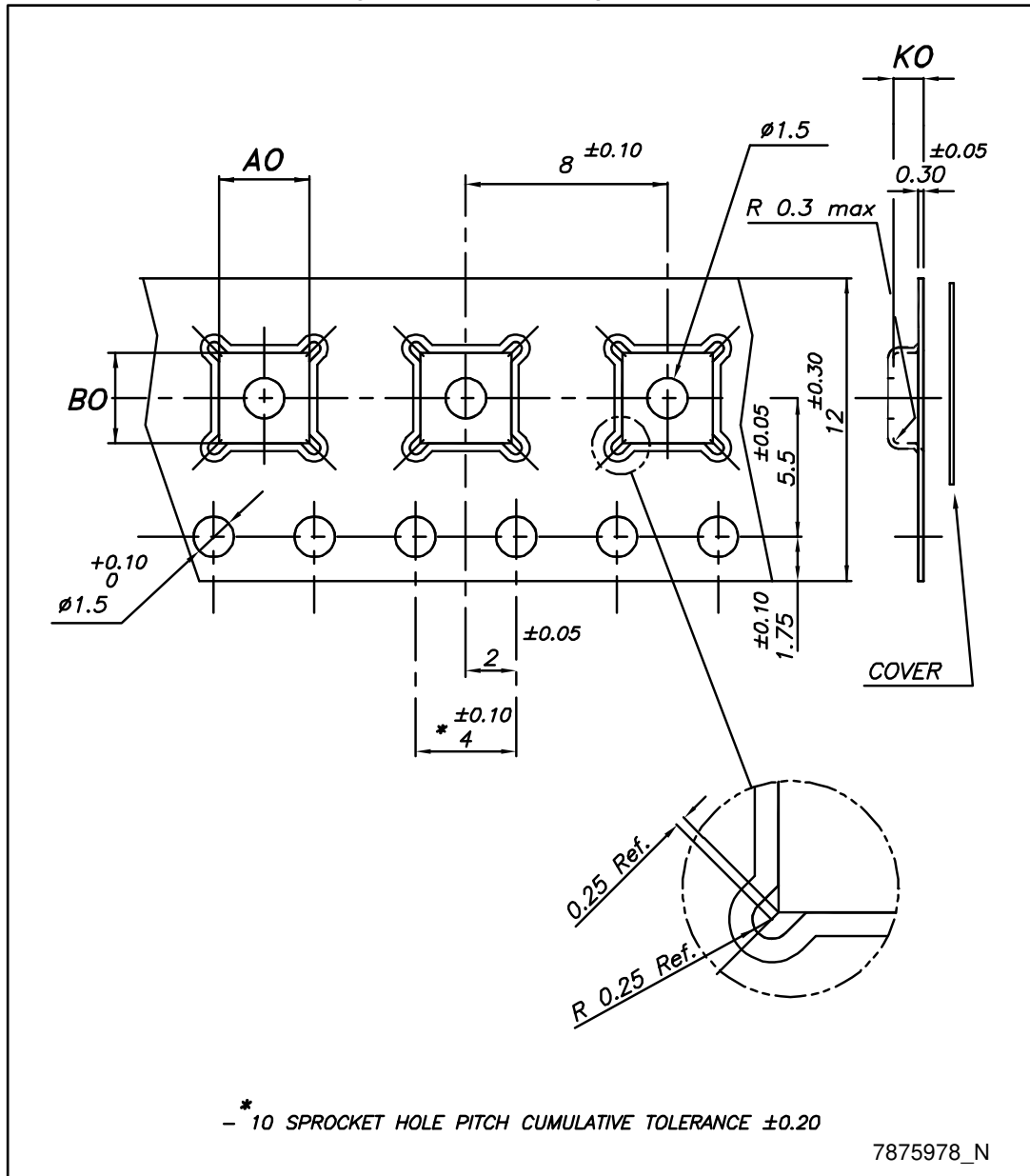


Figure 43: DFN6 (3x3) reel outline

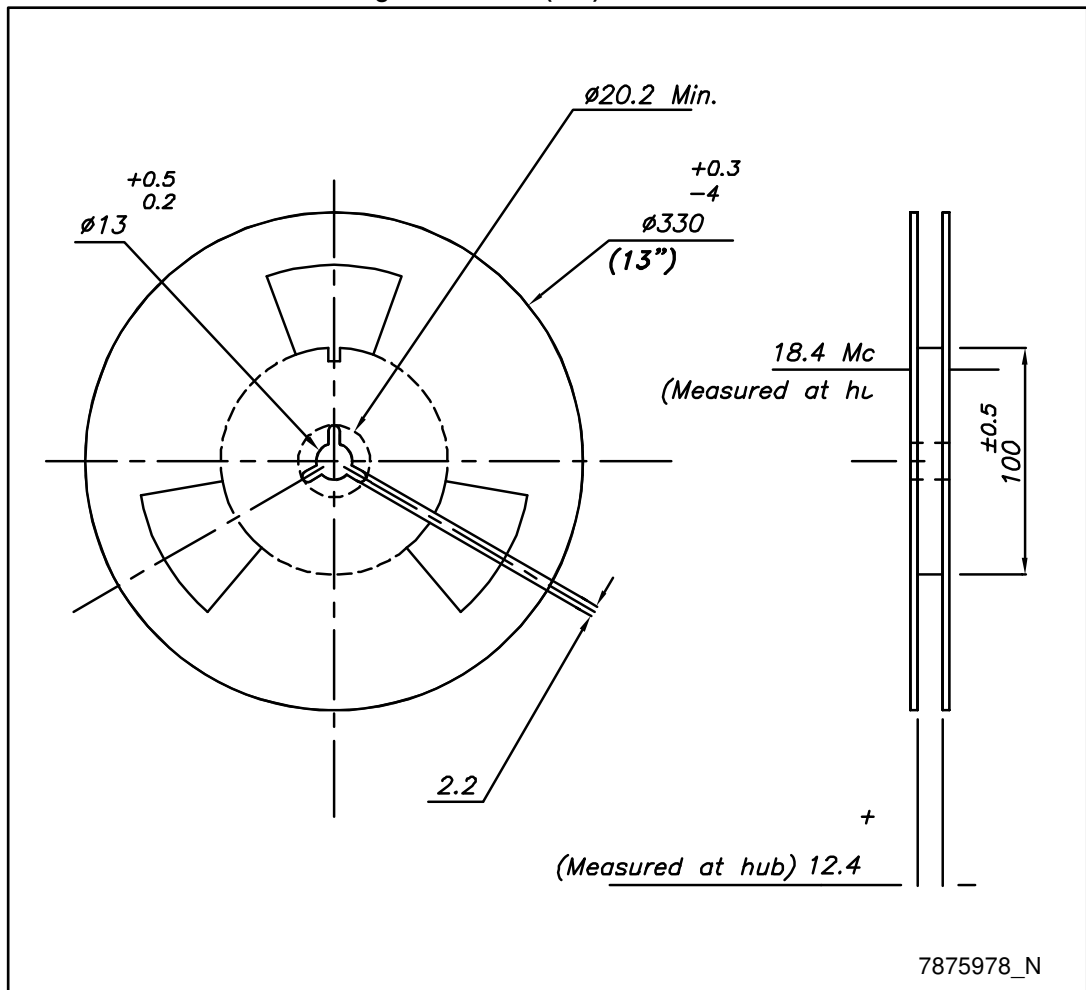
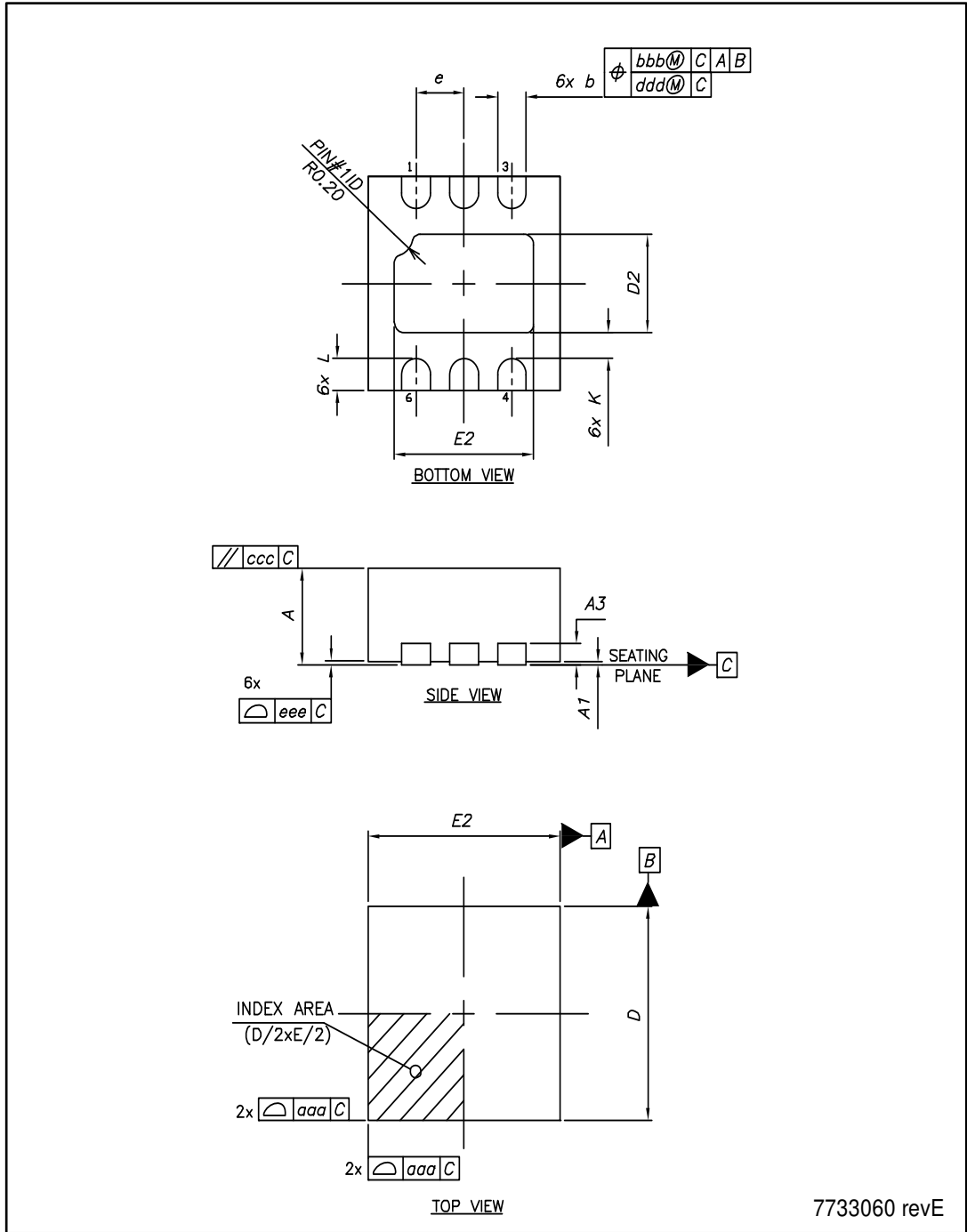


Table 6: DFN6 (3x3) tape and reel mechanical data

Dim.	mm		
	Min.	Typ.	Max.
A0	3.20	3.30	3.40
B0	3.20	3.30	3.40
K0	1	1.10	1.20

### 7.3 DFN6 (2x2) package information

Figure 44: DFN6 (2x2) package outline

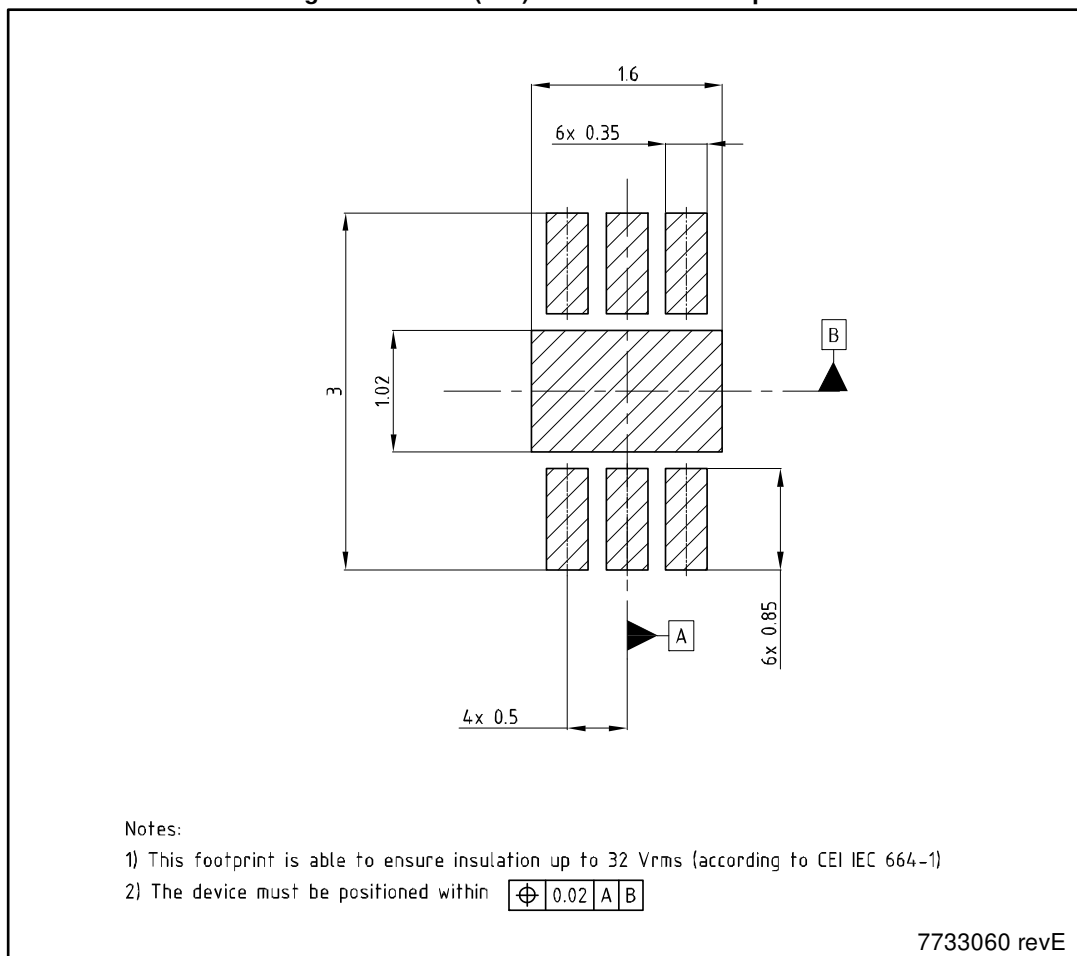


7733060 revE

Table 7: DFN6 (2x2) mechanical data

Dim.	mm		
	Min.	Typ.	Max.
A	0.70	0.75	0.80
A1	0.00	0.02	0.05
A3	-	0.203 ref	-
b	0.25	0.30	0.35
D	-	2.00	-
E	-	2.00	-
e	-	0.50	-
D2	0.77	0.92	1.02
E2	1.30	1.45	1.55
K	0.15	-	-
L	0.20	0.30	0.40
aaa	-	0.05	-
bbb	-	0.10	-
ccc	-	0.10	-
ddd	-	0.05	-
eee	-	0.08	-

Figure 45: DFN6 (2x2) recommended footprint





### 7.4 DFN6 (2x2) packing information

Figure 46: DFN6 (2x2) reel outline

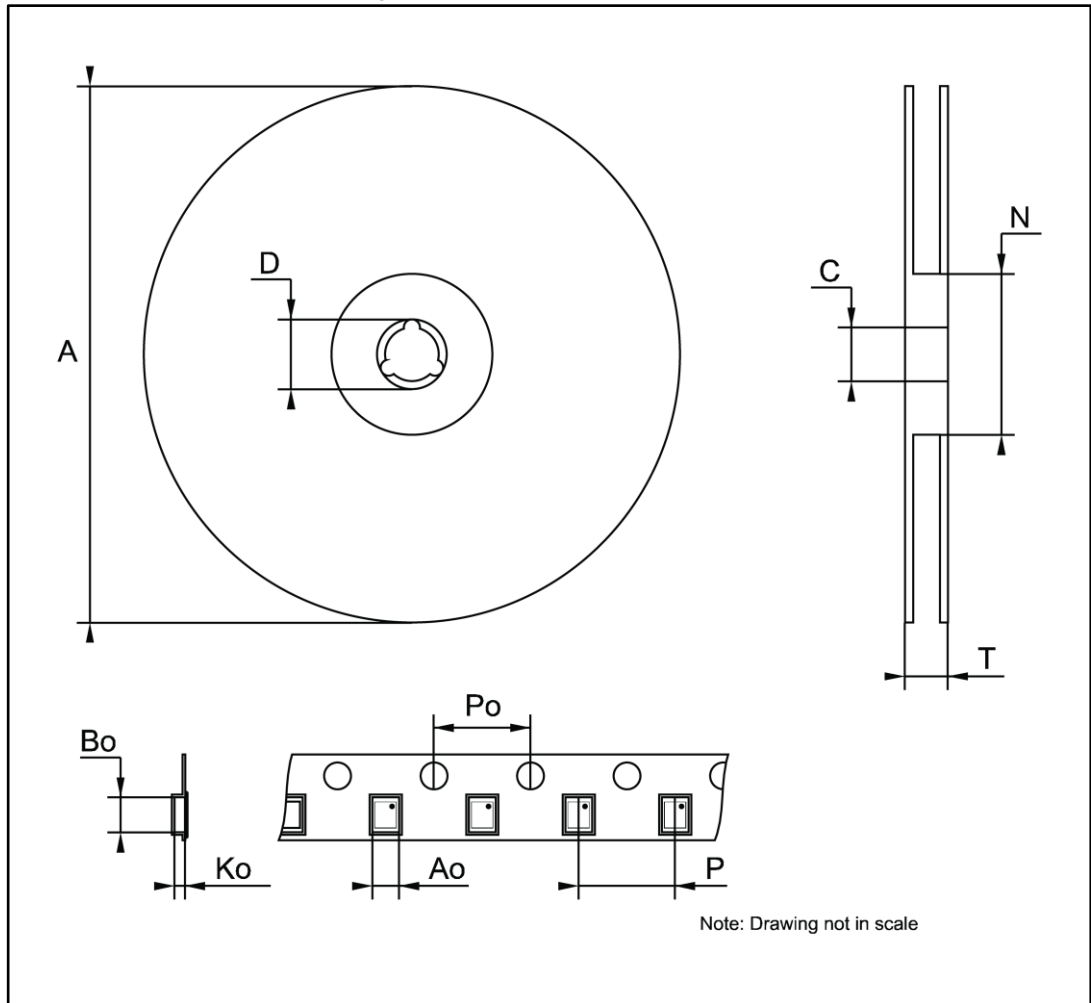
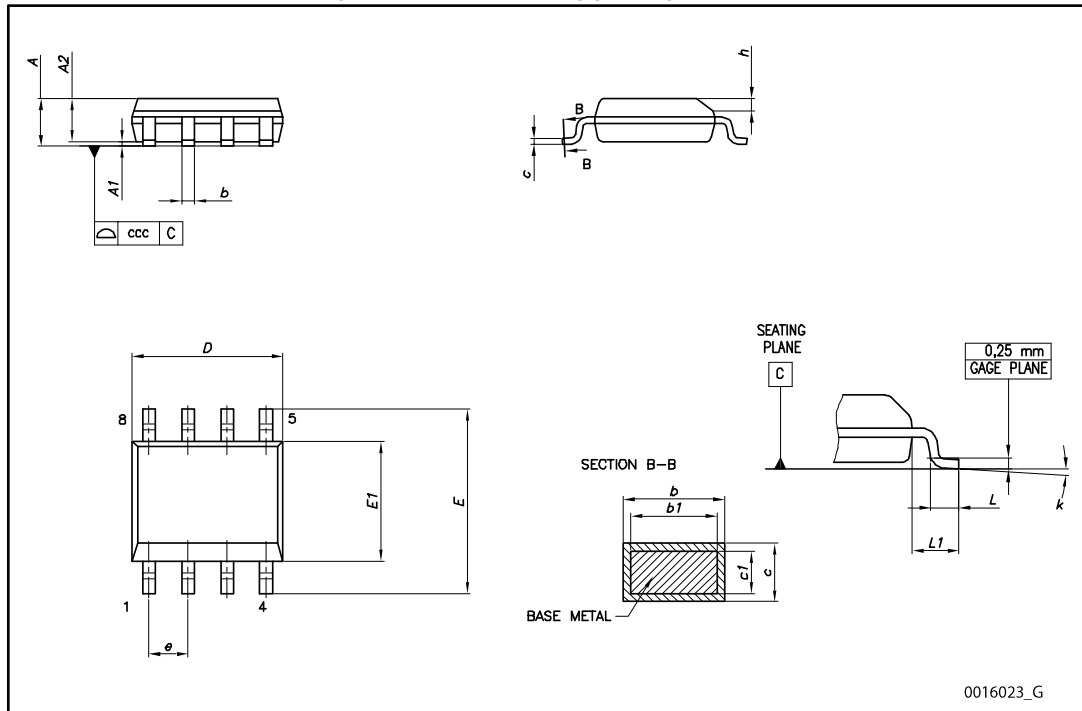


Table 8: DFN6 (2x2) tape and reel mechanical data

Dim.	mm		
	Min.	Typ.	Max.
A			180
C	12.8		13.2
D	20.2		
N	60		
T			14.4
A0		2.4	
B0		2.4	
K0		1.3	
P0		4	
P		4	

## 7.5 SO8-batwing package information

Figure 47: SO-8 batwing package outline

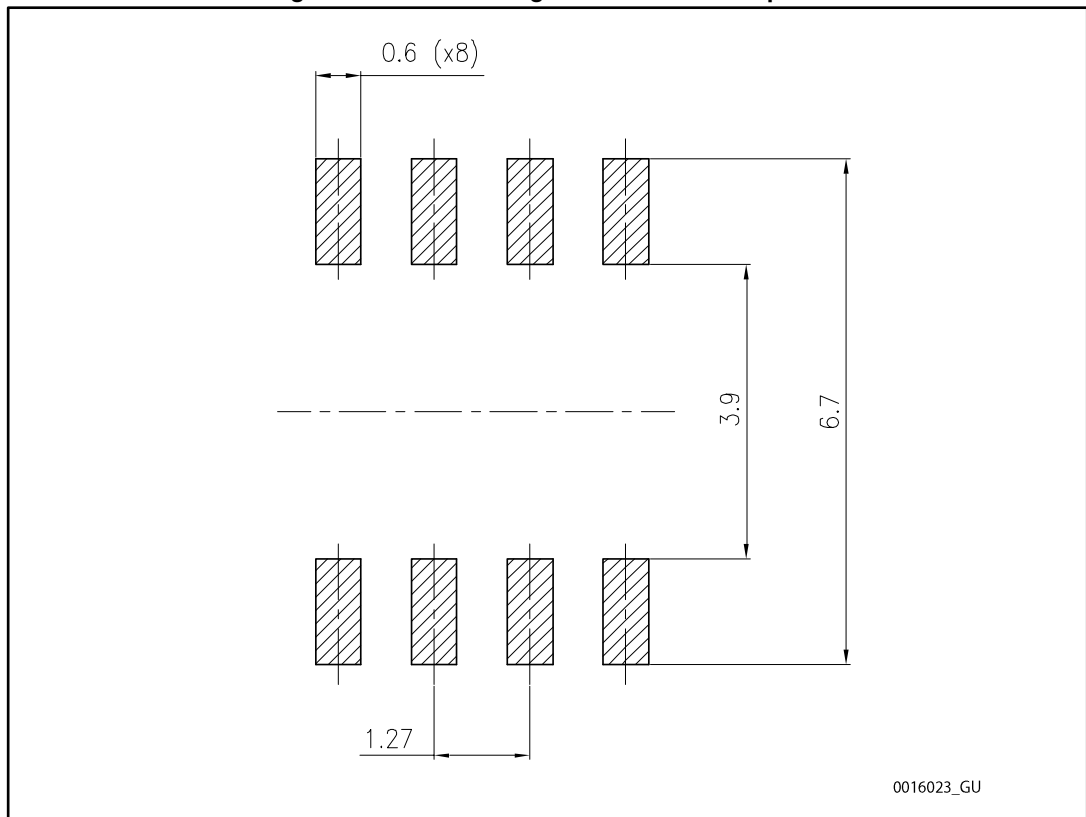


0016023\_G

Table 9: SO-8 batwing mechanical data

Dim.	mm		
	Min.	Typ.	Max.
A			1.75
A1	0.10		0.25
A2	1.25		
b	0.31		0.51
b1	0.28		0.48
c	0.10		0.25
c1	0.10		0.23
D	4.80	4.90	5.00
E	5.80	6.00	6.20
E1	3.80	3.90	4.00
e		1.27	
h	0.25		0.50
L	0.40		1.27
L1		1.04	
L2		0.25	
k	0°		8°
ccc			0.10

Figure 48: SO-8 batwing recommended footprint



## 7.6 SO8-batwing packing information

Figure 49: SO8-batwing tape and reel outline

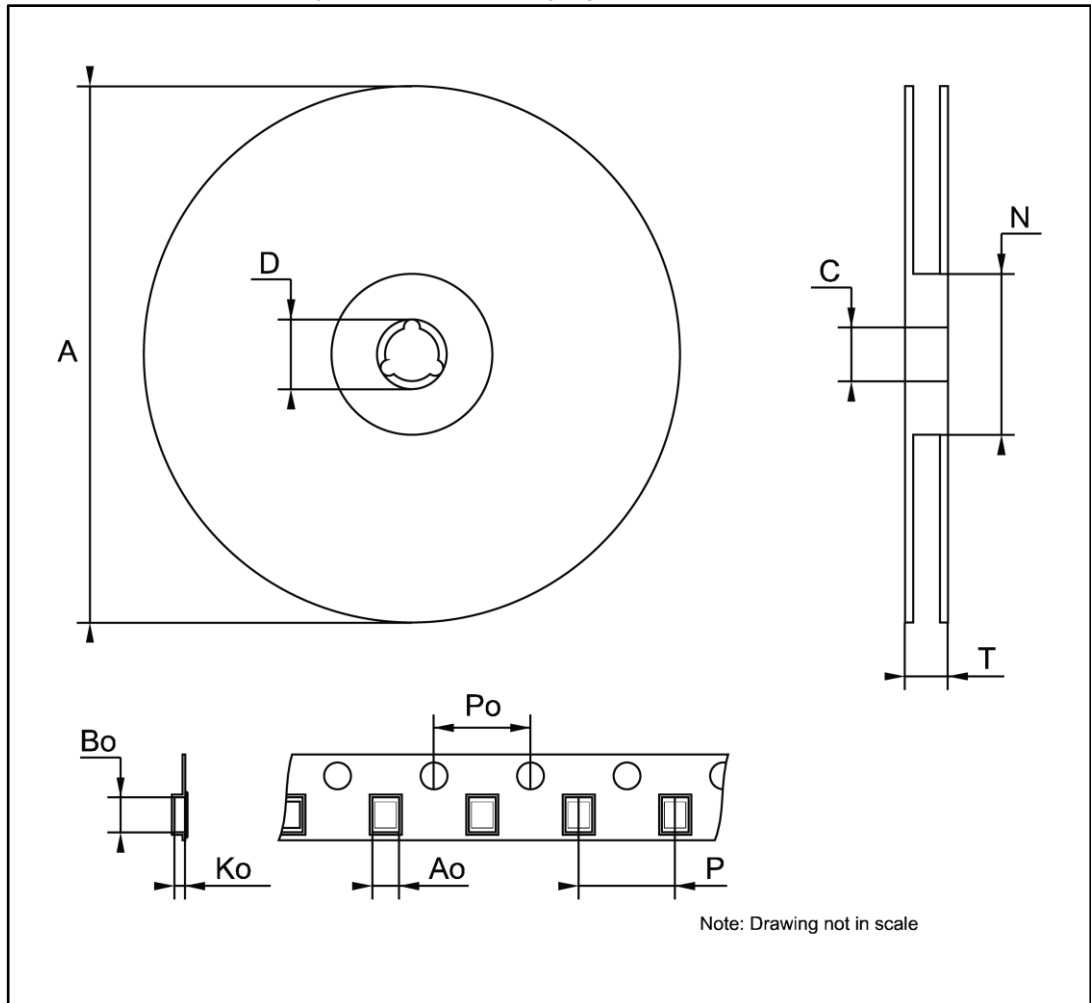


Table 10: SO8-batwing mechanical data

Dim.	mm		
	Min.	Typ.	Max.
A			330
C	12.8		13.2
D	20.2		
N	60		
T			22.4
A0	8.1		8.5
B0	5.5		5.9
K0	2.1		2.3
P0	3.9		4.1
P	7.9		8.1