



Chipsmall Limited consists of a professional team with an average of over 10 year of expertise in the distribution of electronic components. Based in Hongkong, we have already established firm and mutual-benefit business relationships with customers from,Europe,America and south Asia,supplying obsolete and hard-to-find components to meet their specific needs.

With the principle of “Quality Parts,Customers Priority,Honest Operation,and Considerate Service”,our business mainly focus on the distribution of electronic components. Line cards we deal with include Microchip,ALPS,ROHM,Xilinx,Pulse,ON,Everlight and Freescale. Main products comprise IC,Modules,Potentiometer,IC Socket,Relay,Connector.Our parts cover such applications as commercial,industrial, and automotives areas.

We are looking forward to setting up business relationship with you and hope to provide you with the best service and solution. Let us make a better world for our industry!



## Contact us

Tel: +86-755-8981 8866 Fax: +86-755-8427 6832

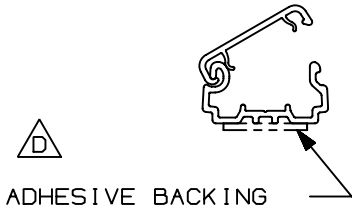
Email & Skype: info@chipsmall.com Web: www.chipsmall.com

Address: A1208, Overseas Decoration Building, #122 Zhenhua RD., Futian, Shenzhen, China

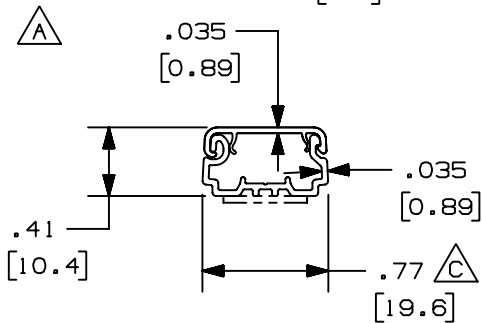
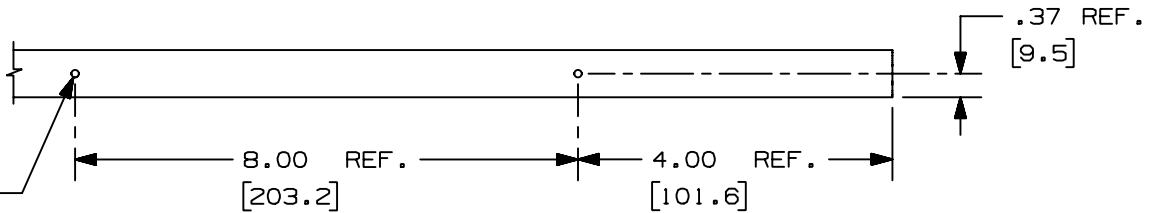


THIS COPY IS PROVIDED ON A RESTRICTED BASIS AND IS NOT TO BE USED IN ANY WAY DETRIMENTAL TO THE INTERESTS OF PANDUIT CORP.

PANDUIT PART NO.	LENGTH	WEIGHT
LDPH3**6-A	72.00 ±.18 [ 1828.8 ±4.6 ]	.04 LBS/FT [ .19 g/mm ]
LDPH3**8-A	96.00 ±.18 [ 2438.4 ±4.6 ]	
LDPH3**10-A	120.00 ±.18 [ 3048.0 ±4.6 ]	
LDPH3**2-A	78.74 ±.18 [ 2000.0 ±4.6 ]	



LDPH3 OPEN POSITION



LDPH3 CLOSED POSITION

NOTES:

- SEE CURRENT CATALOG FOR ADDITIONAL PART NUMBER SUFFIXES TO INDICATE COLORS AND/OR PACKAGE QUANTITY.
- PART IS DESIGNED TO SUPPORT MAXIMUM WEIGHT ON A CLEAN, DRY, SMOOTH SURFACE. THE SURFACE MUST BE PROPERLY PREPARED IN ACCORDANCE WITH PANDUIT RECOMMENDATIONS.
- TO APPLY PART (ADHESIVE BACKING INSTALLATION ONLY):
  - REMOVE PROTECTIVE FILM
  - PLACE PART IN DESIRE LOCATION
  - APPLY PRESSURE TO FLAT SURFACE ON RACEWAY
- DIMENSIONS IN PARENTHESES ARE IN METRIC.
- NO WARRANTY, EXPRESSED OR IMPLIED, IS MADE BY PANDUIT WITH RESPECT TO ADHESIVE BOND PERFORMANCE. THE CONDITIONS UNDER WHICH THESE RACEWAYS MAY BE APPLIED AND/OR THE SURFACE TO WHICH THEY MAY BE APPLIED ARE BEYOND PANDUIT'S CONTROL.

CAD FILENAME/LAYERS B D38737B0\_DC\_LDPH3\_01B.PRT

PANDUIT CORP. TINLEY PARK, ILLINOIS  
HINGED LDPH3 RACEWAY (LDPH3) CUSTOMER DRAWING

-	-----	---	---	RELEASED TO PRODUCTION	-----	-----	-----	-----	-----	UNLESS OTHERWISE SPECIFIED, DIMENSIONAL TOLERANCES ARE: (.X) ± (.XXX) ±.010 (.25) (.XX) ±.03 (.8) ANGLES ±	UNLESS OTHERWISE SPECIFIED, ALL DIMENSIONS ARE GIVEN IN INCHES, THIRD ANGLE PROJECTION.	
2	04-15-05	JBN	BKR	D. REVISED PART DESCRIPTION IN TITLE BLOCK E. REVISED NOTES: #2 AND #3	38737-14	RGRO	RGRO			DRAWN BY JBN	MAT'L: PVC	SCALE NONE
1	02-24-05	JBN	BKR	B. REVISED CAD FILE NAME A. REVISED BASE AND COVER GEOMETRY						DATE 09-22-04		DRAWING NO. 38737-14
R	09-22-04	JBN	BKR	DRAWING RELEASED						CHK'D BKR		DWG A
REV	DATE	BY	CHK	DESCRIPTION	ECN	CHK	CUST	SUP				SIZE