



Chipsmall Limited consists of a professional team with an average of over 10 year of expertise in the distribution of electronic components. Based in Hongkong, we have already established firm and mutual-benefit business relationships with customers from,Europe,America and south Asia,supplying obsolete and hard-to-find components to meet their specific needs.

With the principle of “Quality Parts,Customers Priority,Honest Operation,and Considerate Service”,our business mainly focus on the distribution of electronic components. Line cards we deal with include Microchip,ALPS,ROHM,Xilinx,Pulse,ON,Everlight and Freescale. Main products comprise IC,Modules,Potentiometer,IC Socket,Relay,Connector.Our parts cover such applications as commercial,industrial, and automotives areas.

We are looking forward to setting up business relationship with you and hope to provide you with the best service and solution. Let us make a better world for our industry!



## Contact us

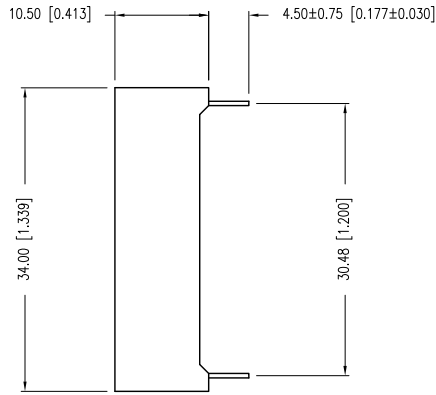
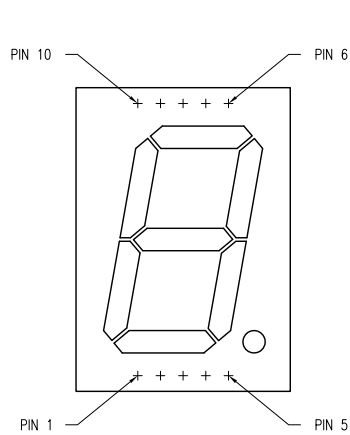
Tel: +86-755-8981 8866 Fax: +86-755-8427 6832

Email & Skype: info@chipsmall.com Web: www.chipsmall.com

Address: A1208, Overseas Decoration Building, #122 Zhenhua RD., Futian, Shenzhen, China



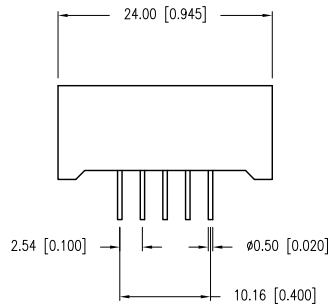
|             |                                     |      |      |
|-------------|-------------------------------------|------|------|
| PART NUMBER | LDS-CA14RI                          | REV. | B    |
| DATE        | E.C.N. NUMBER AND REVISION COMMENTS |      | REV. |
| 05.12.97    | E.C.N. #10342.                      |      | A    |
| 04.22.98    | E.C.N. #10BRDR. & REDRAWN.          |      | B    |



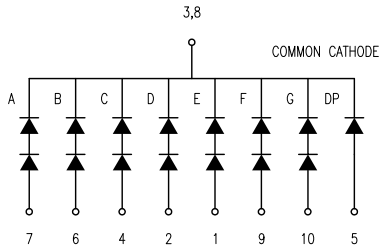
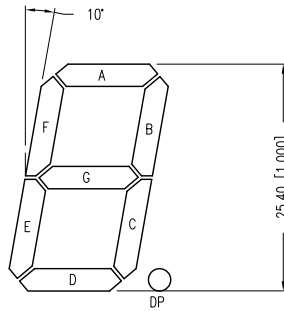
| ELECTRO-OPTICAL CHARACTERISTICS $T_A=25^\circ\text{C}$ $I_f=20\text{mA}$ |                      |           |         |       |                      |
|--|----------------------|-----------|---------|-------|----------------------|
| PARAMETER  | MIN                  | TYP       | MAX     | UNITS | TEST COND            |
| PEAK WAVELENGTH  |                      | 635 (RED) |         | nm    |                      |
| FORWARD VOLTAGE  |                      | 4.0/2.0   | 5.0/2.5 | $V_f$ |                      |
| REVERSE VOLTAGE  | 5.0                  |           |         | $V_r$ | $I_f=100\mu\text{A}$ |
| AXIAL INTENSITY  |                      | 9800      |         | mcd   | $I_f=20\text{mA}$    |
| EMITTED COLOR:   | RED                  |           |         |       |                      |
| FACE COLOR:  | GRAY                 |           |         |       |                      |
| EPOXY LENS FINISH:   | MILKY WHITE DIFFUSED |           |         |       |                      |

| LIMITS OF SAFE OPERATION AT 25°C PER CHIP |            |            |
|---|------------|------------|
| PARAMETER                                 | MAX        | UNITS      |
| PEAK FORWARD CURRENT*                     | 150        | mA         |
| STEADY CURRENT                            | 30         | mA         |
| POWER DISSIPATION                         | 105        | mW         |
| DERATE FROM 25°C                          | -1.2       | mW/°C      |
| OPERATING TEMP.                           | -20 TO +85 | °C         |
| STORAGE TEMP.                             | -20 TO +85 | °C         |
| SOLDERING TEMP.                           | +260       | °C         |
| 2.0mm FROM BODY                           |            | 3 SEC. MAX |

\*  $t < 10\mu\text{s}$



DIGIT DETAIL



\*UNLESS OTHERWISE SPECIFIED TOLERANCES PER DECIMAL PRECISION ARE: X=±1 (±0.039), X.X=±0.5 (±0.020), X.XX=±0.25 (±0.010), X.XXX=±0.127 (±0.005). LEAD SIZE=±0.05 (±0.002), LEAD LENGTH=±0.75 (±0.030). MIN= +DECIMAL PRECISION MAX.= +0.00 -DECIMAL PRECISION UNCONTROLLED DOCUMENT

**LUMEX**  
 Creating LED and LCD Solutions Together™  
 290 E. HELEN ROAD  
 PALATINE, IL 60067-6976  
 PHONE: +1.847.359.2790  
 FAX: +1.847.359.6538  
 WEB: WWW.LUMEX.COM

1.0" SINGLE DIGIT, SEVEN SEGMENT DISPLAY, 635nm RED, GREY FONT/WHITE SEGMENTS, COMMON CATHODE.  
 \*\*THE SPECIFICATIONS MAY CHANGE AT ANY TIME WITHOUT NOTICE DUE TO NEW MATERIALS OR PRODUCT IMPROVEMENT.\*\*  
 CONFIDENTIAL INFORMATION  
 THE INFORMATION CONTAINED IN THIS DOCUMENT IS THE PROPERTY OF LUMEX INC. EXCEPT AS SPECIFICALLY AUTHORIZED IN WRITING BY LUMEX INC., THE HOLDER OF THIS DOCUMENT SHALL KEEP ALL INFORMATION CONTAINED HEREIN CONFIDENTIAL AND SHALL PROTECT SAME IN WHOLE OR IN PART FROM DISCLOSURE AND DISSEMINATION TO ALL THIRD PARTIES.

|        |           |           |    |
|--------|-----------|-----------|----|
| DATE:  | 05.01.96  | DRAWN BY: | MA |
| PAGE:  | 1 OF 1    | CHKD BY:  | KF |
| SCALE: | NTS       | APRVD BY: | KF |
| UNIT:  | mm [INCH] |           | Ⓟ  |