



Chipsmall Limited consists of a professional team with an average of over 10 year of expertise in the distribution of electronic components. Based in Hongkong, we have already established firm and mutual-benefit business relationships with customers from,Europe,America and south Asia,supplying obsolete and hard-to-find components to meet their specific needs.

With the principle of “Quality Parts,Customers Priority,Honest Operation,and Considerate Service”,our business mainly focus on the distribution of electronic components. Line cards we deal with include Microchip,ALPS,ROHM,Xilinx,Pulse,ON,Everlight and Freescale. Main products comprise IC,Modules,Potentiometer,IC Socket,Relay,Connector.Our parts cover such applications as commercial,industrial, and automotives areas.

We are looking forward to setting up business relationship with you and hope to provide you with the best service and solution. Let us make a better world for our industry!



## Contact us

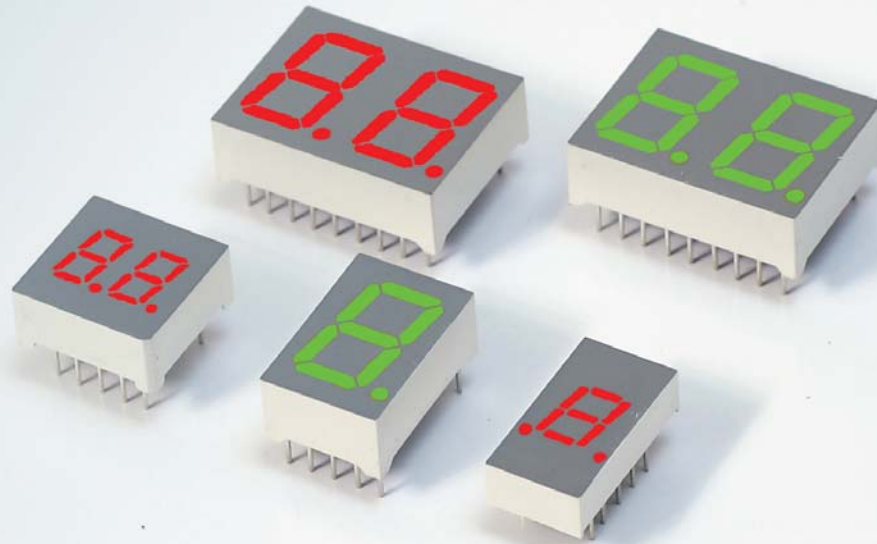
Tel: +86-755-8981 8866 Fax: +86-755-8427 6832

Email & Skype: info@chipsmall.com Web: www.chipsmall.com

Address: A1208, Overseas Decoration Building, #122 Zhenhua RD., Futian, Shenzhen, China



# QuasarBrite™ High Temp LED Displays



## High Temp LED Displays Provide Market-Leading Temperature Range and Cost Savings

Lumex's new High Temp LED 7-Segment Displays provide outstanding color and brightness performance at up to 105°C, which is unique in today's marketplace. Standard size 1 and 2 digit QuasarBrite High Temp 7-Segment LED Displays are available in stock from Lumex's strategic distribution partners immediately (includes .30" and .56", red and green displays).

### Features:

- Bright, crisp display performance in market-leading temp ranges up to 105°C
- Available in sizes from 0.28 to 4 inch character height
- Compatible with standard drivers
- Available in any standard color

### Applications:

- Aircraft, ground vehicles and GPS
- Heavy motor control technologies
- Oil field and gas flow metering
- Displays on ovens, microwaves, etc.

### Markets:

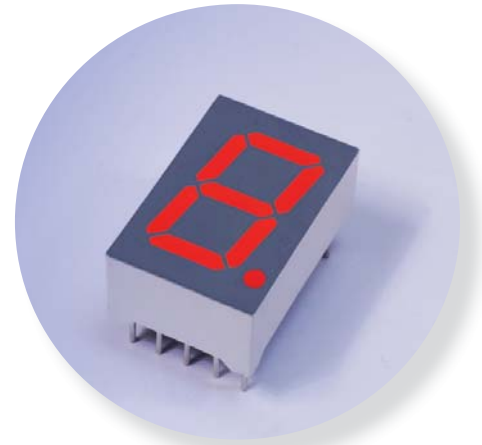
- Industrial Controls
- Military
- Appliances

**LUMEX**®  
Creating LED and LCD Solutions Together™



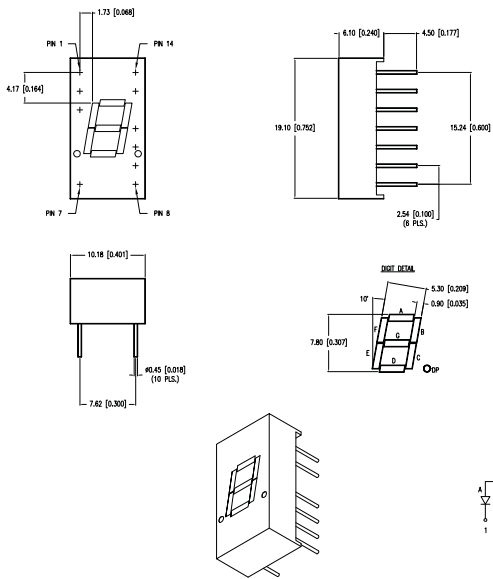
# QuasarBrite™

## High Temp LED Displays - Single Digit

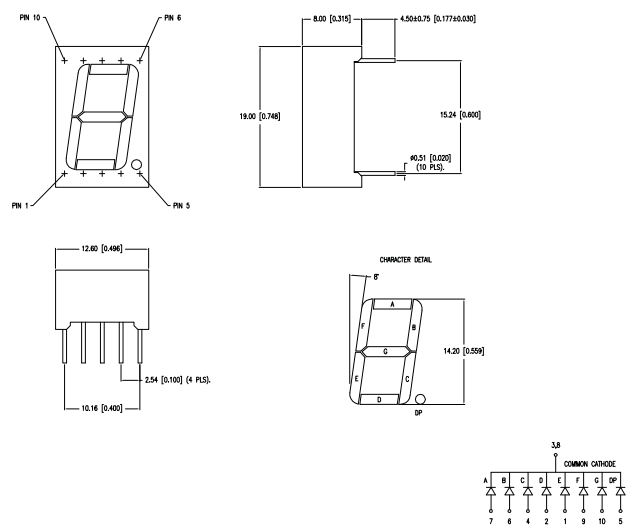


Single Digit - High Temp LED Displays	PN	Wavelength	Intensity mcd @ 10mA	Character Height	Color	Common Column Pin	Face	Segment
	LDS-HTA302RI	565	2500	.30"	Green	Anode	Gray	Milky White
	LDS-HTA304RI	635	2000	.30"	Red	Anode	Gray	Milky White
	LDS-HTA512RI	565	3900	.56"	Green	Anode	Gray	Milky White
	LDS-HTA514RI	635	3900	.56"	Red	Anode	Gray	Milky White
	LDS-HTC302RI	565	3500	.30"	Green	Cathode	Gray	Milky White
	LDS-HTC304RI	635	3500	.30"	Red	Cathode	Gray	Milky White
	LDS-HTC512RI	565	3500	.56"	Green	Cathode	Gray	Milky White
	LDS-HTC514RI	625	3900	.56"	Red	Cathode	Gray	Milky White

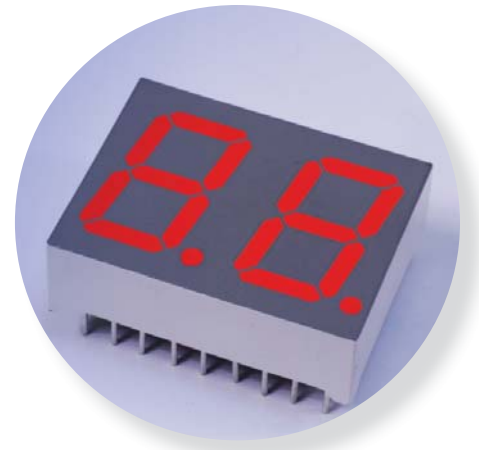
### Single Digit: .30" Character Height



### Single Digit: .56" Character Height



# QuasarBrite™ High Temp LED Displays - Dual Digit



Dual Digit - High Temp LED Displays	PN	Wavelength	Intensity mcd @ 10mA	Character Height	Color	Common Column Pin	Face	Segment
	LDD-HTE302NI	565	2500	.30"	Green	Anode	Gray	Milky White
	LDD-HTE304NI	635	2000	.30"	Red	Anode	Gray	Milky White
	LDD-HTF302NI	565	3900	.30"	Green	Anode	Gray	Milky White
	LDD-HTF304NI	635	3900	.30"	Red	Anode	Gray	Milky White
	LDD-HTA512RI	565	3500	.56"	Green	Cathode	Gray	Milky White
	LDD-HTA514RI	635	3500	.56"	Red	Cathode	Gray	Milky White
	LDD-HTC512RI	565	3500	.56"	Green	Cathode	Gray	Milky White
	LDD-HTC514RI	625	3900	.56"	Red	Cathode	Gray	Milky White

## Dual Digit: .30" Character Height

## Dual Digit: .56" Character Height

