



Chipsmall Limited consists of a professional team with an average of over 10 year of expertise in the distribution of electronic components. Based in Hongkong, we have already established firm and mutual-benefit business relationships with customers from,Europe,America and south Asia,supplying obsolete and hard-to-find components to meet their specific needs.

With the principle of “Quality Parts,Customers Priority,Honest Operation,and Considerate Service”,our business mainly focus on the distribution of electronic components. Line cards we deal with include Microchip,ALPS,ROHM,Xilinx,Pulse,ON,Everlight and Freescale. Main products comprise IC,Modules,Potentiometer,IC Socket,Relay,Connector.Our parts cover such applications as commercial,industrial, and automotives areas.

We are looking forward to setting up business relationship with you and hope to provide you with the best service and solution. Let us make a better world for our industry!



## Contact us

Tel: +86-755-8981 8866 Fax: +86-755-8427 6832

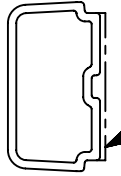
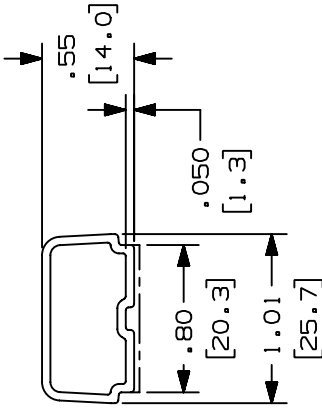
Email & Skype: info@chipsmall.com Web: www.chipsmall.com

Address: A1208, Overseas Decoration Building, #122 Zhenhua RD., Futian, Shenzhen, China



THIS COPY IS PROVIDED ON A RESTRICTED BASIS AND IS NOT TO BE USED IN ANY WAY DETRIMENTAL TO THE INTERESTS OF PANDUIT CORP.

**A**



ADHESIVE BACK PRESSURE SENSITIVE FOAM TAPE .040(1.0) THICK WITH PROTECTIVE LINER.

**C**

PART NAME	PANDUIT PART NO. (** SEE NOTE 1)	LENGTH IN. (MM)	STATIC LOAD (SEE NOTE 2)	APPROXIMATE WEIGHT
SOLID WALL DUCT	LD55**10-A	120.00 ±.12 (3048.0 ±3.0)	.43 LB/IN (7.7 g/mm)	.082 LB/FT (.112 g/mm)

**B** NOTES:

- SEE CURRENT CATALOG FOR ADDITIONAL PART NUMBER SUFFIXES TO INDICATE COLORS AND OR PACKAGE QUANTITY.
- PART IS DESIGNED TO SUPPORT MAXIMUM WEIGHT ON A CLEAN, DRY, SMOOTH SURFACE.
- TO APPLY PART:
  - REMOVE PROTECTIVE LINER.
  - PLACE PART IN DESIRED LOCATION.
  - APPLY PRESSURE TO FLAT SURFACE OF PART.
- DIMENSIONS IN PARENTHESES ARE IN METRIC.
- NO WARRANTY, EXPRESSED OR IMPLIED, IS MADE BY PANDUIT WITH RESPECT TO ADHESIVE BOND PERFORMANCE. THE CONDITIONS UNDER WHICH THESE RACEWAYS MAY BE APPLIED AND/OR THE SURFACE TO WHICH THEY MAY BE APPLIED ARE BEYOND PANDUIT'S CONTROL.

CAD FILENAME/LAYERS D35541CN\_SOLID\_LD55\_02.PRT

**PANDUIT**  
CORP. TINLEY PARK, ILLINOIS

SOLID WALL DUCT (LD55)  
CUSTOMER DRAWING

REV	DATE	BY	CHK	DESCRIPTION	ECN	CHK	CUST	SUP
2	03-08-04	JHEP	RGRO	C. REMOVED PART NUMBER LD55**2-A	35541-40	RGRO		
1	09-17-98	PM	HIW	B. REVISE NOTES A. REVISE CHART: ADD 2M LENGTH	35541-40	HIW	HIW	
R	09-24-98	JBA	CEF	RELEASED TO PRODUCTION	35541-40	CEF	CEF	
UNLESS OTHERWISE SPECIFIED, DIMENSIONAL TOLERANCES ARE: (.X) ± (.XXX) ±.010 (.4) (.XX) ±.03 (.8) ANGLES ±					UNLESS OTHERWISE SPECIFIED, ALL DIMENSIONS ARE GIVEN IN INCHES, THIRD ANGLE PROJECTION.		SCALE NONE	
DRAWN BY JBA					MATERIAL: RIGID PVC (POLYVINYL CHLORIDE)		DRAWING NO. 35541-40	
DATE 09-24-98					CHECKED BY CEF		DWG SIZE A	