



Chipsmall Limited consists of a professional team with an average of over 10 year of expertise in the distribution of electronic components. Based in Hongkong, we have already established firm and mutual-benefit business relationships with customers from,Europe,America and south Asia,supplying obsolete and hard-to-find components to meet their specific needs.

With the principle of “Quality Parts,Customers Priority,Honest Operation,and Considerate Service”,our business mainly focus on the distribution of electronic components. Line cards we deal with include Microchip,ALPS,ROHM,Xilinx,Pulse,ON,Everlight and Freescale. Main products comprise IC,Modules,Potentiometer,IC Socket,Relay,Connector.Our parts cover such applications as commercial,industrial, and automotives areas.

We are looking forward to setting up business relationship with you and hope to provide you with the best service and solution. Let us make a better world for our industry!



Contact us

Tel: +86-755-8981 8866 Fax: +86-755-8427 6832

Email & Skype: info@chipsmall.com Web: www.chipsmall.com

Address: A1208, Overseas Decoration Building, #122 Zhenhua RD., Futian, Shenzhen, China





6-Channel / 4-Channel High-Side Linear WLED Driver with LED Temperature Compensation Using LED-Sense™, I²C, and Digital PWM

FEATURES

- Six (8161) / or Four (8141) Power-Lite™ Linear LDO current regulators with 50 mV dropout in a high-side driver topology.
- High temperature LED current de-rating using the LED-Sense™ temperature compensation algorithm, which directly monitors an LED PN junction. No external temperature sensor is required.
- I²C compatible serial programming interface
- LED current programmable via I²C from 0 to ~32 mA in 256 linear steps. Three (8161) or two (8141) separately controlled driver banks with 2 LED drivers each
- Integrated PWM generator for LED dimming with 12-bit resolution and 256 I²C-programmable logarithmic duty cycle steps from 0% to 100% (~0.17 dB per step)
- Total combined dimming range of > 16,384:1
- Power efficiency up to 98%; average efficiency > 80% in Li-ion battery applications
- Low current shutdown mode (< 1 μA);
- Soft start and current limiting
- LED Short circuit detection and protection, LED open detection
- Thermal shutdown protection
- Low EMI.
- Available in 3 mm x 3 mm x 0.8 mm 16-pin TQFN package

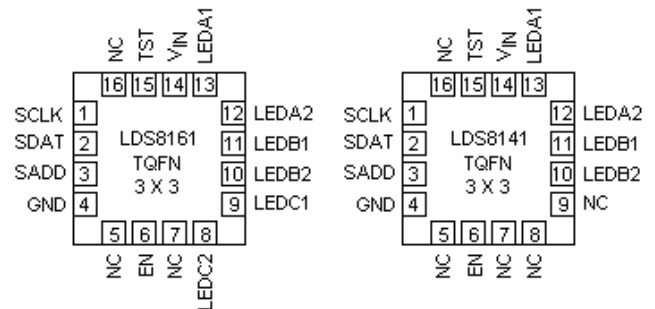
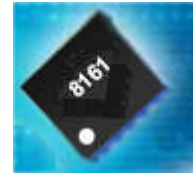
APPLICATIONS

- Keypad and Display Backlight
- Cellular Phone
- PDAs and Smartphones

DESCRIPTION

The LDS8161 is a 6-channel and the LDS8141 is a 4-channel linear LED driver for WLED applications. It includes ultra low dropout LDO current regulators at a maximum 31.875 mA per channel in a common cathode high side driver topology.

The LDS8161/LDS8141 has an average efficiency of > 80% in Li-ion battery applications. It includes three (LDS8161) or two (LDS8141) 8-bit current setting DACs (one per bank) allowing LED currents to be programmed via an I²C-compatible serial interface from 0 to 31.875 mA in 256 steps of 125μA per step.



The LDO drivers have a low dropout voltage of 50 mV typically at maximum rated current. This provides a low power/low EMI solution in Li-ion battery applications without voltage boosting and associated external capacitors and components.

High temperature current de-rating insures LED reliability and provides automatic adjustment of LED current to achieve maximum specified LED brightness across the ambient temperature range. The proprietary LED-Sense™ temperature compensation algorithm directly monitors the junction temperature of an LED and applies current de-rating per a user loadable LUT (look up table) in 5°C steps. No external temperature sensing device is needed.

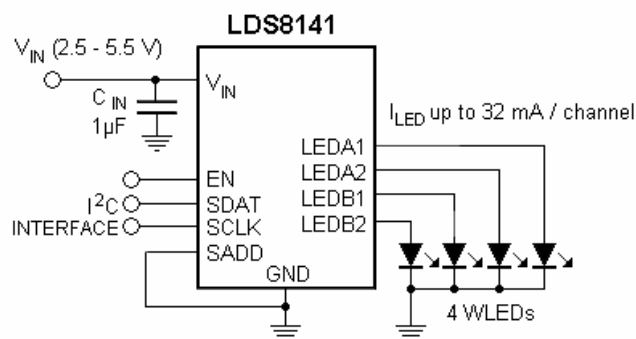
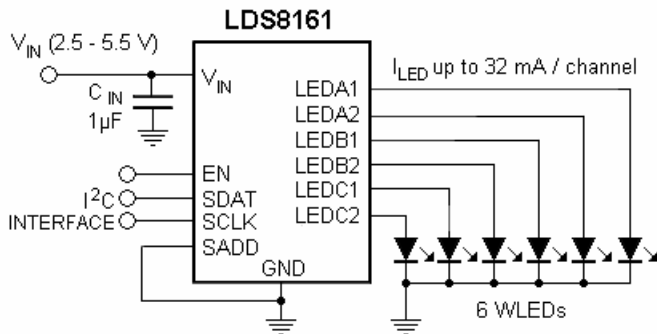
An integrated 12-bit PWM generator with “smooth” logarithmic control supports LED dimming and high temperature current de-rating. The PWM duty cycle is programmable via the I²C serial interface from 0% to 100%. User programmed 8-bit codes are converted to 12-bit resolution logarithmic steps of ~ 0.17 dB per step. The PWM frequency is ~280 Hz to minimize noise generation.

The EN logic input functions as a chip enable. A logic HIGH applied at the EN pin allows the LDS8161/LDS8141 to respond to I²C communications. An external serial interface address pin is available for use in multi-target applications.

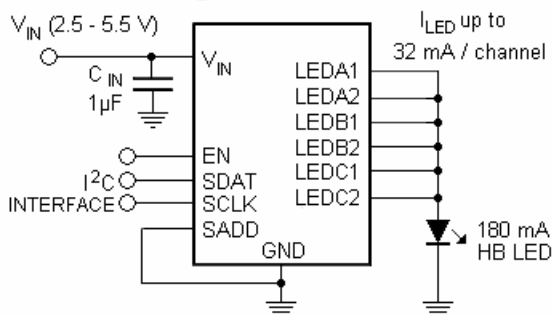
The device operates from 2.5V to 5.5V.

The LDS8160 is available in a 3 x 3 x 0.8 mm³ 16-lead TQFN package.

TYPICAL APPLICATION CIRCUITS



Using LDS8161 For HB LED



ABSOLUTE MAXIMUM RATINGS

| Parameter | Rating | Unit |
|------------------------------|-----------------|------|
| V_{IN} , LEDx | 6 | V |
| EN, SDAT, SCLK, SADD voltage | $V_{IN} + 0.7V$ | V |
| Storage Temperature Range | -65 to +160 | °C |
| Junction Temperature Range | -40 to +125 | °C |
| Soldering Temperature | 300 | °C |
| ESD Protection Level | HBM | 2 |
| | MM | 200 |

RECOMMENDED OPERATING CONDITIONS

| Parameter | Rating | Unit |
|---------------------------------|-------------|------|
| V_{IN} | 2.5 to 5.5 | V |
| I_{LED} per LED pin | 0 – 31.875 | mA |
| Total Output Current I_{LOAD} | 191.25 | mA |
| Junction Temperature Range | -40 to +125 | °C |

Typical application circuit with external components is shown on page 1.

ELECTRICAL OPERATING CHARACTERISTICS

(Over recommended operating conditions unless specified otherwise) $V_{IN} = 3.6V$, $C_{IN} = 1 \mu F$, $EN = High$, $T_{AMB} = 25^{\circ}C$

| Name | Conditions | Min | Typ | Max | Units |
|---------------------------------------------------------------|--------------------------------------------------------|---------------------------------------------|-----------|--------|----------------------------|
| LEDx Channel Current DAC Range | | 0 | | 31.875 | mA |
| # of LEDx Current steps (linear steps) | | | 256 | | steps |
| LEDx Current DAC Resolution/step | | | 0.125 | | mA |
| Quiescent Current | $EN = V_{IN}$ | Standby (no I ² C clock) | 125 | | μA |
| | 6/4 Channels at 100% DC PWMs and Temp De-Rating Active | $I_{LOAD} = 120 \text{ mA} / 80 \text{ mA}$ | 0.6/0.45 | | mA |
| | | $I_{LOAD} = 60 \text{ mA} / 40 \text{ mA}$ | 0.45/0.35 | 0.35 | mA |
| Shutdown Current | $V_{EN} = 0V$ | | 0.5 | 1 | μA |
| LED Current Accuracy | $5 \text{ mA} \leq I_{LED} \leq 30 \text{ mA}$ | | ± 1.5 | | % |
| LED Channel Matching | $(I_{LED} - I_{LEDAVG}) / I_{LEDAVG}$ | | ± 1.5 | | % |
| Line Regulation | $2.7 \text{ V} \leq V_{IN} \leq 4.2 \text{ V}$ | | 2 | | %/V |
| Load Regulation ¹ | $0.2 \text{ V} < V_{dX} < 1.2 \text{ V}$ | | 1 | | %/V |
| Dropout Voltage ² | $1 \text{ mA} \leq I_{LED} \leq 30 \text{ mA}$ | | 50 | 75 | mV |
| PWM Frequency | | | 285 | | Hz |
| # of PWM duty cycle steps | Log Mode steps | | 256 | | |
| Minimum PWM On Time | | | 13.7 | | μs |
| PWM resolution | Log Mode | | 12 | | bits |
| PWM Step Size | Log Mode | | 0.17 | | dB |
| # of Δ PWM Steps for current de-rating | 1-x Scale Mode | -7 | | 0 | PWM Steps/5 ^o C |
| | 2-x Scale Mode | -14 | | 0 | |
| De-rating Temperature Adjust Steps | | | 5 | | ^o C |
| Programmable De-rating Start Temperature (Tj) Range (typical) | | 30 | 55 | 80 | ^o C |
| Programmable LED Shutdown Temperature(Tj) Range (typical) | | 80 | 105 | 120 | ^o C |
| EN Pin | Input current | Active mode, $EN = V_{IN}$ | -1 | 1 | μA |
| | | Normal Standby | | 5 | |
| | Logic Level | High | 1.2 | | 0.4 |
| Low | Active Mode or Normal Standby Mode | | | | |
| Input Current Limit | | | 450 | | mA |
| Thermal Shutdown | | | 150 | | ^o C |
| Thermal Hysteresis | | | 20 | | |
| Wake-up/Shutdown Delay Time from EN Raising/Falling Edge | Soft ramp disabled | | 10 | | ms |
| | Soft ramp enabled | | 250 | | ms |
| Output short circuit Threshold ³ | $I_{LED} = 20 \text{ mA}$ | | 0.14 | | V |

- Note:**
- $V_{dX} = V_{in} - V_F$,
 - $V_{dX} = V_{in} - V_F$, at which I_{LED} decreases by 10% from set value
 - Minimum LED forward voltage, which will be interpreted as “LED SHORT” condition

I²C CHARACTERISTICS

Over recommended operating conditions unless otherwise specified for $2.7 \leq V_{IN} \leq 5.5V$, over full ambient temperature range -40 to +85°C.

| Symbol | Parameter | Min | Max | Unit |
|--------------|--------------------------------------------------|-----|-----|---------|
| f_{SCL} | SCL Clock Frequency | 0 | 400 | kHz |
| $t_{HD:STA}$ | Hold Time (repeated) START condition | 0.6 | | μs |
| t_{LOW} | LOW period of the SCL clock | 1.3 | | μs |
| t_{HIGH} | HIGH period of the SCL clock | 0.6 | | μs |
| $t_{SU:STA}$ | Set-up Time for a repeated START condition | 0.6 | | μs |
| $t_{HD:DAT}$ | Data In Hold Time | 0 | 0.9 | ns |
| $t_{SU:DAT}$ | Data In Set-up Time | 100 | | ns |
| t_R | Rise Time of both SDAT and SCLK signals | | 300 | ns |
| t_F | Fall Time of both SDAT and SCLK signals | | 300 | ns |
| $t_{SU:STO}$ | Set-up Time for STOP condition | 0.6 | | μs |
| t_{BUF} | Bus Free Time between a STOP and START condition | 1.3 | | μs |
| t_{AA} | SCLK Low to SDAT Data Out and ACK Out | | 0.9 | μs |
| t_{DH} | Data Out Hold Time | 300 | | ns |

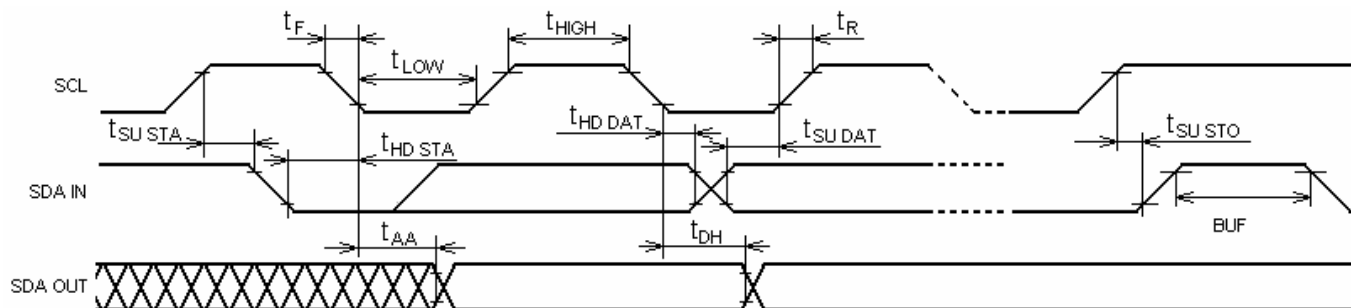
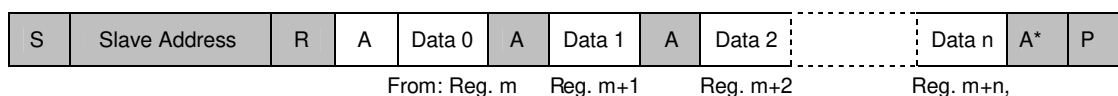


Figure 1: I²C Bus Timing Diagram

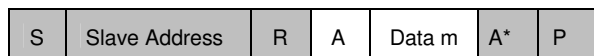
READ OPERATION:

Option 1: Standard protocol sequential read:



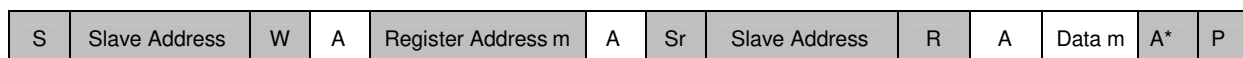
where Reg. m is the last addressed in the write operation register

Option 2: Random access:



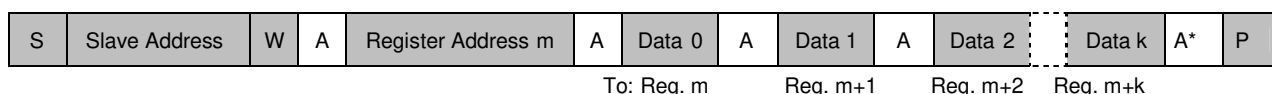
From reg. m, where Reg. m is the last addressed in the write operation register

Option 3: Random access with combined (extended) protocol:

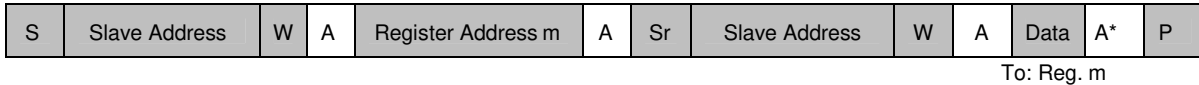


WRITE OPERATION:

Option 1: Standard protocol sequential write:



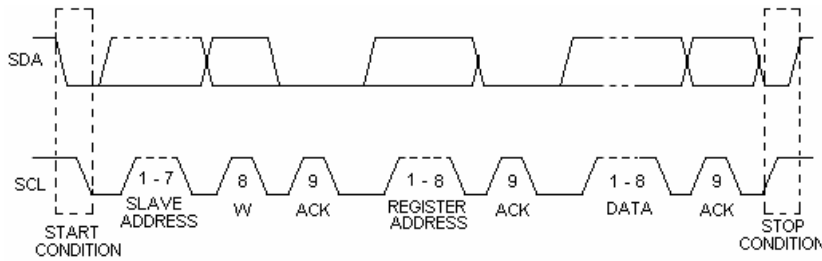
Option 2: Combined (extended) protocol:



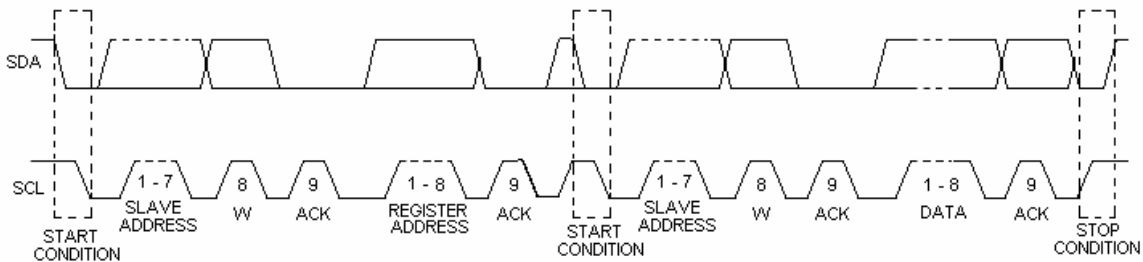
- S: Start Condition
- Sr Start Repeat Condition
- R, W: Read bit (1), Write bit (0)
- A: Acknowledge (SDAT high)
- A*: Not Acknowledge (SDAT low)
- P: Stop Condition
- Slave Address: Device address 7 bits (MSB first).
- Register Address: Device register address 8 bits
- Data: Data to read or write 8 bits
- send by master
- send by slave

I²C BUS PROTOCOL

Standard protocol



Combined protocol:

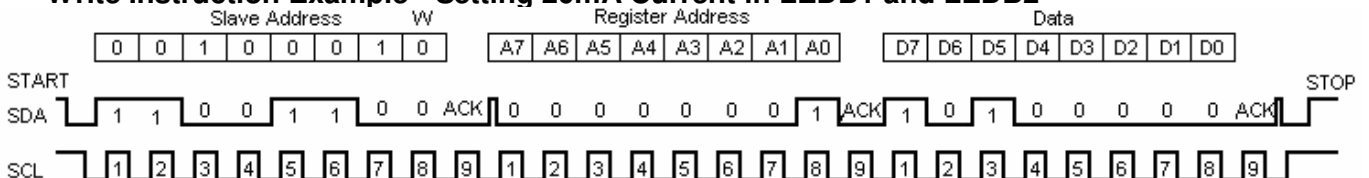


WRITE INSTRUCTION SEQUENCE

Standard protocol:



Write Instruction Example - Setting 20mA Current in LEDB1 and LEDB2



LDS8161 / 41 REGISTERS DEFINITION AND PROGRAMMING

Note: Unlisted register addresses are for factory use only; For proper operation write only to registers defined.

| ADDRESS | DESCRIPTION | BITS | NOTES |
|-----------|-----------------------------------------------------------------------------------------------------------------------------------------------------------------------------------------------------|------|------------------------------------------------------------------------------------------------------------------------------------------------------------------------------------------------------------------------------------------------------------------------------------------------------------------------------------------------------------------------------------|
| 00h | Bank A Current setting | 8 | Reg00h – Reg02h data code = $(I_{LED} / 0.125 \text{ mA})$ (decimal) converted into hex format |
| 01h | Bank B Current setting | 8 | |
| 02h | Bank C Current setting (8161 only; Not for 8141) | 8 | |
| 03h | Channel Enable (No Bits 5, 4 for C2 and C1 respectively for 8141) | 6 | Bits 5:0 = 1 enables LEDs C2, C1, B2, B1, A2, A1 respectively (See Table 1). Both LEDs from one bank should be disabled to minimize power consumption. |
| 05h | Bank A, B, C PWM Duty Cycle | 8 | Log Mode: ~ – 0.17dB dimming per LSB for currents > 300 μA ; Refer to 8 to 12 bit conversion curve (Figure 3 and Table 10) for resolution in range 0 – 300 μA Data Code 00h = 0% Duty Cycle, FFh = 100% Duty Cycle Example: 50% brightness reduction (– 6dB) requires: 255 – (– 6 dB / – 0.17 dB) = 255 – 35 = 220 (decimal) = DCh steps |
| 19h | LED Diagnostics Test | 8 | See Table 2; Bit 5 = 1 sets user-initiated LED short/open diagnostic |
| 1Ch | LED Faults Status (shorted to GND) | 5 | Bits from bit 5 to bit 0 represent LED status for LEDC2 – LEDA1 respectively. Bit = 1 represents LED shorted to GND |
| 1Dh | LED Faults Status (shorted to $V_{IN}/open$) | 5 | Bits from bit 5 to bit 0 represent LED status for LEDC2 – LEDA1 respectively. Bit = 1 represents LED shorted to $V_{IN}/open$ |
| 1Eh | Configuration register | 8 | See Table 3 |
| 1Fh | Software reset, Standby | 8 | See Table 4 |
| 49h | Ta-Tj Temperature Offset | 8 | Since junction temperature is measured, the values loaded here allow an offset to account for Tj – Ta gradient. This allows de-rate tables to be referenced to Ta levels. Two 4 bit offsets value for the LED and the Si Diode; Bit [7:4] = Tj-Ta offset for the LEDs Bit [3:0] = Tj-Ta offset for the Si diode. Typically should set both offsets to be equal. See Table 5 & 6 |
| 4Ah | LED Shutdown Temperature | 5 | Defines T-code, at which LED current shuts down per LED vendor de-rating specification (see Table 5); Factory default value = 11100 (bin) = 1Ch represents 105 ^o C Tj |
| 4Bh | 2-x Table enable and breakpoint (T-code) | 6 | Bit 5 = 1 – enable 2-x scale LUT ΔPWM code correction (de-rating) starting at the breakpoint set by T-code (bits 4:0) Bit 5 = 0 – 1-x scale (default) for entire temperature range Bit [4:0] defines T-code, where temperature de-rating starts, or where 2-x scaling begins (see Table 5) |
| 56h – 5Dh | Temp De-rating LUT 25C to 100C (one 5C step every nibble) ΔPWM code1[7:4], ΔPWM code0[3:0] – ΔPWM code13[7:4], ΔPWM code12[3:0] | 8 | Two LUT words per 1 ^o C address. Each word contains two 4-bit numbers representing of ΔPWM codes. See Table 6 and Appendix 1 for LUT programming. Factory default setting is Logarithmic Mode table for WLED LED (Nichia NSSW020BT WLED). Default table could be used for WLED de-rating. De-Rating starts at 55 ^o C junction. |

| | | | |
|-----|----------------------------------|---|---------------------------------------------------------------------------------------------------------------------------------------------------------------------------------------------------------------------------------------------------------------------------------------------------------------------------------------------------------------------------------------------------------------------------------------------------------------------------------------------------------|
| A0h | Silicon diode dV_F/dT [7:0] | 8 | Silicon diode V_F temperature coefficient (K factor) : Factory recommended loaded value is 36h = -1.71 mV/°C = 001 10110 (bin), where bits from bit 7 to bit 5 represent integer part [1 (decimal) = 001 (bin)], and bits from bit 4 to bit 0 – fractional part [0.710 / 0.03125 = 22 (decimal) = 10110 (bin)] |
| A2h | LED dV_F/dT [7:0] | 8 | User-loaded V_F temperature coefficient @ 1mA for LEDs used at Banks A, B, C respectively. Negative tracking is assumed with temperature; Bits from bit 7 to bit 5 represent integer part and bits from bit 4 to bit 0 - fractional part of the coefficient Example: Temperature coefficient = -2.26 mV/°C; Bit 7 – bit 6 = 2 (decimal) = 010 (bin), and Bit 4 – bit 0 = INT{0.26 / 0.03125} = 8 (decimal) = 01000 (bin) User loads 010 01000 (bin) = 48h = -2.25 (closest setting) |
| C0h | Silicon diode η [7:0] | 8 | Silicon diode η (eta, or non-ideality factor) : Factory recommended loaded value is default is 1.00 = 01000000(bin) = 40h Bits from bit 7 to bit 5 represent integer part and bits from bit 4 to bit 0 - fractional part (resolution = 0.015625 per LSB) Example: η = 1.00; Bit 7 – bit 6 = 1 (decimal) = 01 (bin), and Bit 5 – bit 0 = INT{0.00 / 0.015625} = 0 (dec) = 000000 (bin) User loads 01 000000 = 40h = 1.00 |
| D4h | Silicon diode R_s offset [7:0] | 8 | Silicon diode series resistance offset Factory recommended loaded value = 04h = ~ 68 ohms Formula (decimal) = 8192 x [(68 ohms x 8 x 10 ⁻⁶ A)/1.14 V] |
| D6h | LED R_s offset [7:0] | 8 | LED R_s offset (user-loaded) for Banks A, B, and C LEDs Typically LED R_s = 5 – 30 Ω User loads per LED used. (1/slope of high current region of LED I-V characteristic). Formula (decimal) = 8192 x [(R_s Ω x 8 x 10 ⁻⁴ A) / 1.14V] |

Table 1

| Register Address | Channel Enable Register | | | | | | | |
|------------------|-------------------------|-------|-----------|-----------|-----------|-----------|-----------|-----------|
| | Bit 7 | Bit 6 | Bit 5 | Bit 4 | Bit 3 | Bit 2 | Bit 1 | Bit 0 |
| 03h (8161) | LED OT Flag | N/A | Enable C2 | Enable C1 | Enable B2 | Enable B1 | Enable A2 | Enable A1 |
| (8141) | Same | N/A | N/A | N/A | Same | Same | Same | Same |

Table 2

| Register Address | Digital Test Modes Register | | | | | | | |
|------------------|-----------------------------|--------------|---------------------|----------------------|---------------------|--------------|----------------------------|--------------|
| | Bit 7 | Bit 6 | Bit 5 | Bit 4 | Bit 3 | Bit 2 | Bit 1 | Bit 0 |
| 19h | Factory Only | Factory Only | Diagnostics Request | Slow Ramp Bypass = 1 | Fast PWM adjust = 1 | Factory Only | Post ADC Filter Enable = 1 | Factory Only |
| | 0* | 0* | 0* | 0* | Normal = 0* | 0* | Filter Off=0* | 0* |

Note: *) Value by default

Table 3

| Register Address | Configuration Register | | | | | | | |
|------------------|-----------------------------------------|-----------------|-----------------|-----------------|-----------------|----------------------------|----------------------------|-----------------|
| | Bit 7 | Bit 6 | Bit 5 | Bit 4 | Bit 3 | Bit 2 | Bit 1 | Bit 0 |
| 1Eh | Factory Set 1* | Factory Only | Factory Only | Factory Only | Factory Only | dT adjust disabled = 1* | Soft Start disabled = 1 | Factory Only |
| | Factory trimmed; User should write 0 | 0* | 0* | 0* | 0* | dT adjust enabled = 0 | Soft Start enabled = 0* | 0* |

Note: *) Value by default

Table 4

| Register Address | Control Register | | | | | | | |
|------------------|-----------------------|---------------------|----------------------------|----------------------------|------------------------|---------------------|---------------------|---------------------|
| | Bit 7 | Bit 6 | Bit 5 | Bit 4 | Bit 3 | Bit 2 | Bit 1 | Bit 0 |
| 1Fh | Software reset = 1 | Standby mode = 1 | Temperature request = 1 | Calibration request = 1 | Custom OSC trim = 1 | Osc trim 2 ** | Osc trim 1 ** | Osc trim 0 ** |
| | Normal operation = 0* | | | | Factory preset = 0* | | | |

Note: *) Value by default
 **) Trim code defined by customer
 Bit 7 = 1 — Software reset: resets device, all registers reset/cleared.
 Bit 6 = 1 — Standby (oscillator disabled, all registers retain programmed values.)

Table 5: Ta-Tj Temperature Gradient Offset

(Set offset code to match reference De-rate point in LUT from LED Tj to Ta. Typically LED and Si are equal)

| Register Address | Control Register | | | | | | | |
|------------------|------------------|-----------------|-----------------|-----------------|----------------------|----------------------|----------------------|----------------------|
| | Bit 7 | Bit 6 | Bit 5 | Bit 4 | Bit 3 | Bit 2 | Bit 1 | Bit 0 |
| 49h | LED Offset 3 | LED Offset 2 | LED Offset 1 | LED Offset 0 | Si Diode Offset 3 | Si Diode Offset 2 | Si Diode Offset 1 | Si Diode Offset 0 |
| | 0* | 0* | 0* | 0* | 0* | 0* | 0* | 0* |

Note: *) Value by default

Table 6: Offset Codes for Tj-Ta Temperature Gradient Offset (both LED and Si per Table 5).

| Temperature Offset °C (Ta-Tj) | Bit3– Bit 0 | Temperature Offset °C (Ta-Tj) | Bit3– Bit 0 | Temperature Offset °C (Ta-Tj) | Bit3– Bit 0 | Temperature Offset °C (Ta-Tj) | Bit3– Bit 0 |
|-------------------------------------|----------------|-------------------------------------|----------------|-------------------------------------|----------------|-------------------------------------|----------------|
| -40 | 1000 | -20 | 1100 | 0 | 0000 | 20 | 0100 |
| -35 | 1001 | -15 | 1101 | 5 | 0001 | 25 | 0101 |
| -30 | 1010 | -10 | 1110 | 10 | 0010 | 30 | 0110 |
| -25 | 1011 | -5 | 1111 | 15 | 0011 | 35 | 0111 |

Table 7: T-code values vs. Temperature (for registers 4Ah & 4Bh)

| Temperature °C | Bit4 – Bit 0 | Temperature °C | Bit4 – Bit 0 | Temperature °C | Bit4 – Bit 0 | Temperature °C | Bit4 – Bit 0 |
|-------------------|-----------------|-------------------|-----------------|-------------------|-----------------|-------------------|-----------------|
| 25 | 01100 | 50 | 10001 | 75 | 10110 | 100 | 11011 |
| 30 | 01101 | 55 | 10010 | 80 | 10111 | 105 | 11100 |
| 35 | 01110 | 60 | 10011 | 85 | 11000 | 110 | 11101 |
| 40 | 01111 | 65 | 10100 | 90 | 11001 | 115 | 11110 |
| 45 | 10000 | 70 | 10101 | 95 | 11010 | 120 | 11111 |

Table 8: LDS8161 / 41 Temperature De-rating LUT Register Allocation

(data stored is Δ PWM code per each temperature point)

| Register Address | Data bits | | Register Address | Data bits | |
|------------------|---------------------------------------|-------|------------------|---------------------------------------|-------|
| | 7 – 4 | 3 – 0 | | 7 – 4 | 3 – 0 |
| | Δ PWM code for temperature, °C | | | Δ PWM code for temperature, °C | |
| 56h | 30 | 25 | 5Ah | 70 | 65 |
| 57h | 40 | 35 | 5Bh | 80 | 75 |
| 58h | 50 | 45 | 5Ch | 90 | 85 |
| 59h | 60 | 55 | 5Dh | 100 | 95 |

Table 9: Valid Δ PWM Codes vs. Number of Adjustment Steps for LDS8161/ 41 De-rating

| Number of steps | Binary Code | Number of steps | Binary Code | Number of steps | Binary Code | Number of steps | Binary Code |
|-----------------|-------------|-----------------|-------------|-----------------|-------------|-----------------|-------------|
| Not Used | 1000 | -4 | 1100 | 0 | 0000 | Not Used | 0100 |
| -7 | 1001 | -3 | 1101 | Not Used | 0001 | Not Used | 0101 |
| -6 | 1010 | -2 | 1110 | Not Used | 0010 | Not Used | 0110 |
| -5 | 1011 | -1 | 1111 | Not Used | 0011 | Not Used | 0111 |

PROGRAMMING EXAMPLES

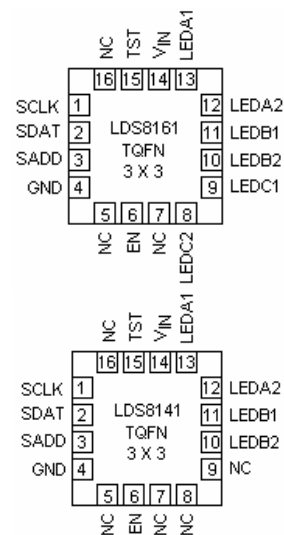
| Operation | Register Address | Register Data | Command (hex) |
|------------------------------------------------------------------|------------------|---------------|---------------|
| Set 20 mA current at Bank LEDA | 00h | A0h | XX 00 A0 |
| Set 30 mA at LEDA, 30 mA at LEDB, & 20 mA at LEDC banks | 00h | F0h F0h A0h | XX F0 F0 A0 |
| Turn LEDs A1, B1 and C1 on, all others off | 03h | 15h | XX 03 15 |
| Turn LEDs A2, B2, and C2 on, all others off | 03h | 24h | XX 03 24 |
| Turn all LEDs on | 03h | 3Fh | XX 03 3F |
| Set Bank A,B,C PWM duty Cycle at 50% (-6 dB) | 05h | DCh | XX 05 DC |
| Disable Temperature De-rating (DT Adjust disable) | 1Eh | 04h | XX 1E 04 |
| Re-Enable Temperature De-rating | 1Eh | 00h | XX 1E 00 |
| Short/open LED diagnostic request | 19h | 20h | XX 19 20 |
| Read out LED short to GND status | 1Ch | | XX 1C YY |
| Read out LED short to V_{IN} /open status | 1Dh | | XX 1D YY |
| Set Standby Mode | 1Fh | 40h | XX 1F 40 |
| Resume normal operation from standby mode | 1Fh | 00h | XX 1F 00 |
| Calibration request (conduct temperature calibration) | 1Fh | 10h | XX 1F 10 |
| Set LEDs in shutdown mode at junction temperature above 100°C | 4Ah | 1Bh | XX 4A 1B |
| Set Ta-Tj offset for LED and Si Diode to -20°C | 49h | CCh | XX 49 CC |
| Software Reset (to default values) and/or clear of all registers | 1Fh | 80h | XX 1F 80 |

Note: XX – The LDS8160 I²C customer-selected slave address followed by binary 1 for write command, i.e. if I²C slave address is 001 0001 (see Table 8), XX = 0010 0011 (bin) = 23h

YY – The LDS8160 I²C customer-selected slave address followed by binary 0 for read command, i.e. if I²C slave address is 001 0001 (see Table 8), YY = 0010 0010 (bin) = 22h

PIN DESCRIPTION

| Function | Pin Name | Pin # | |
|-------------------------------------------------------|-----------------|----------|----------------|
| | | 8161 | 8141 |
| I ² C Serial clock input | SCLK | 1 | 1 |
| I ² C Serial data input/output | SDAT | 2 | 2 |
| I ² C Serial interface Address Programming | SADD | 3 | 3 |
| Ground Reference | GND | 4 | 4 |
| Device enable (active high) | EN | 6 | 6 |
| LEDC2 anode terminal -8161 (NC for 8141) | LEDC2 | 8 | |
| LEDC1 anode terminal -8161 (NC for 8141) | LEDC1 | 9 | |
| LEDB2 anode terminal | LEDB2 | 10 | 10 |
| LEDB1 anode terminal | LEDB1 | 11 | 11 |
| LEDA2 anode terminal | LEDA2 | 12 | 12 |
| LEDA1 anode terminal | LEDA1 | 13 | 13 |
| Power Source Input; connect to battery or supply | V _{IN} | 14 | 14 |
| Test pin | TST | 15 | 15 |
| Not connect (no internal connect to the device) | NC | 5, 7, 16 | 5, 7, 8, 9, 16 |
| Connect to GND on the PCB | PAD | PAD | PAD |



PIN FUNCTION

V_{IN} is the supply pin. A small 1 μ F ceramic bypass capacitor is required between the V_{IN} pin and ground near the device. The operating input voltage range is from 2.5 V to 5.5 V.

EN is the enable input for the entire device. Guaranteed levels of logic high and logic low are set at 1.3 V and 0.4V respectively. When EN is initially taken high, the device becomes enabled and may communicate through I²C interface

SDAT is the I²C serial data line. This is a bidirectional line allowing data to be written into and read from the four registers in the driver..

SCLK is the I²C serial clock input.

SADD is I²C Serial interface Addresses tie to either GND or V_{IN} pin to allow choice of two salve addresses

GND is the ground reference for internal circuitry. The pin must be connected to the ground plane on the PCB.

LEDA1 – LEDC2 provide the internal regulated current source for each of the LED anodes. These pins enter high-impedance zero current state whenever the device is in shutdown mode. LEDC1 and LEDC2 are no connects (NC) for the LDS8141.

PAD is the exposed pad underneath the package. For best thermal performance, the tab should be soldered to the PCB and connected to the ground plane

TST is a test pin used by factory only. Leave it floating (no external connection)

BLOCK DIAGRAM

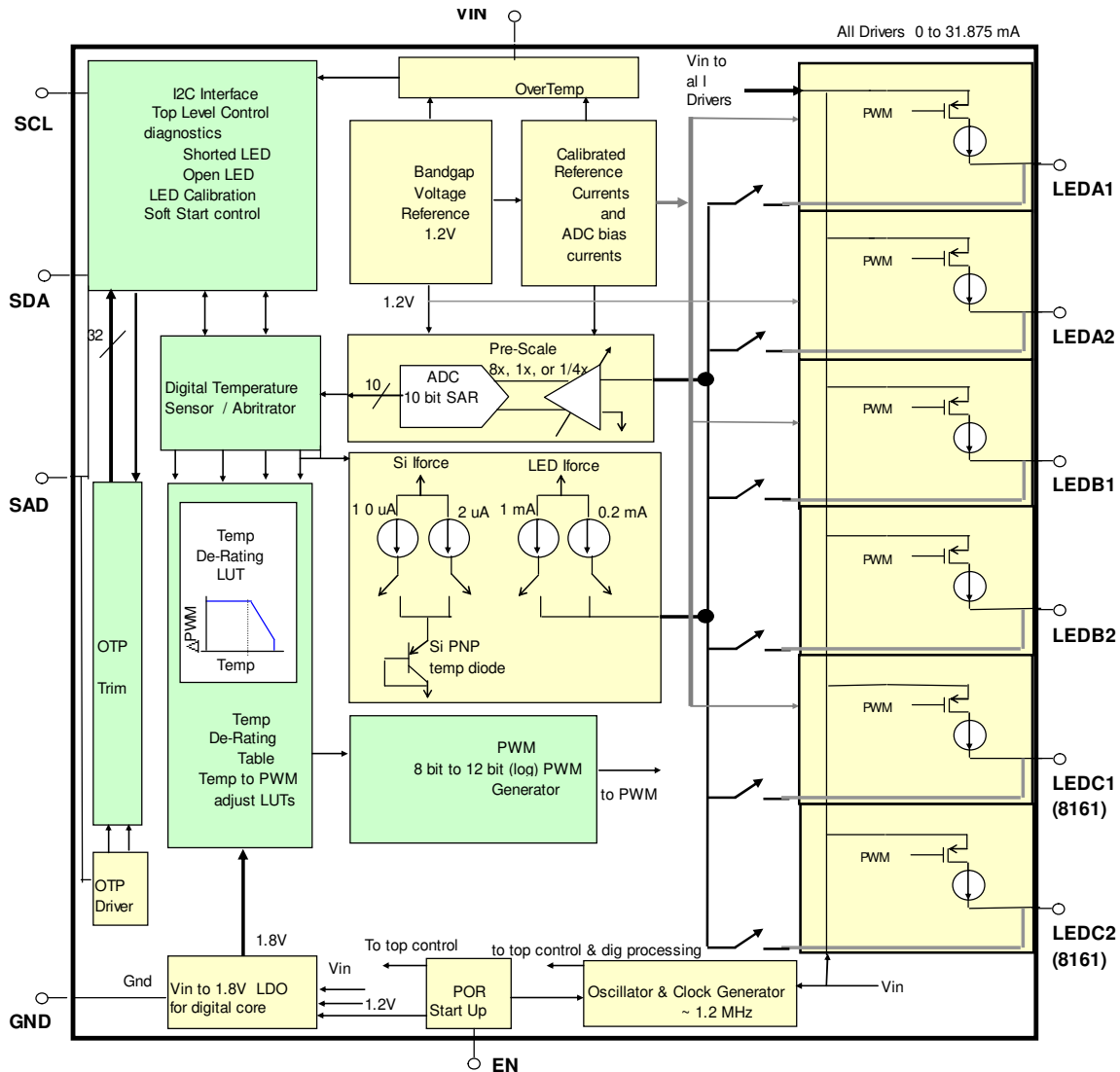


Figure 2: LDS8161/41 Functional Block Diagram

BASIC OPERATION

The LDS8161 / 41 may operate in following modes:

- Normal Operation Mode
- Normal Standby Mode
- Programming Modes
- Shutdown Mode

NORMAL OPERATION MODE

At power-up, V_{IN} should be in the range from 2.5 V to 5.5 V (max). If V_{IN} is slow rising, EN pin should be logic LOW at least until V_{IN} reaches a 2.5 V level.

When EN is taken HIGH, a soft-start power-up sequence begins and performs an internal circuits reset that requires less than 100 μ s.

An initialization sequence then begins, taking less than 10 ms. This sequence determines the user-selected I²C slave address, loads factory programmed settings, and conducts diagnostics for open/shorted LEDs.

At this point, the I²C interface is ready for communication and the LDS8161/41 may be user-programmed. Upon programming completion for all required initial parameters and features' settings, a calibration command is given by setting bit 4 of the Control Register (1Fh) HIGH. This starts the calibration sequence of the LDS8161/41 LED-Sense™ temperature de-rating circuits and occurs simultaneous with a gradual ramp-up of LED PWM and current levels to the user programmed values. This initialization is completed in less than 250 ms in

the default soft-start ramp mode, or less than 10 ms with the soft-start ramp mode disabled by setting bit 1 of the Configuration Register (1Eh) HIGH.

The calibration parameters for the temperature de-rating and all customer-set parameters remain intact until the part is reset or powered-down. Additionally, the user can re-calibrate LDS8161/41 during times when LED currents are brought to zero and thermally stabilized by programming the calibration command bit as discussed.

Factory preset values (upon completion of the power-up initialization) are as follow (see Table 3):

- a) All LEDs are disabled and $I_{LEDA, B, C} = 0$;
- b) WLED mode (i.e. 1 De-rating LUT) selected and 1 PWM generator drives all 3 banks (8160) or 2 banks (8141).
- c) PWM dimming control is enabled Logarithmic Mode with reset duty cycle = 0%.
- d) LED-Sense™ temperature de-rating is disabled with the LUT in Logarithmic Mode for a Nichia NSSW020BT WLED;

e) Soft start-up PWM ramp feature enabled;

If the factory default loaded de-rating curve is used as shown in Figure 7, then following Table 10 identifies the necessary registers and initialization required after the power-up or reset state to operate the LDS8161/41.

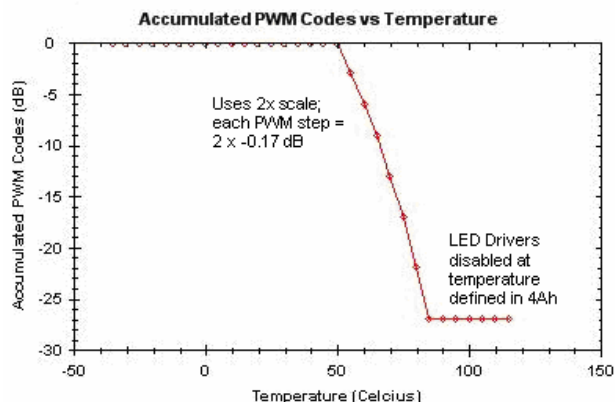


Figure 3: LDS8161/41 Default De-rate Curve

Table 10: Recommended Register Load Sequence for LDS8161/41 (Using the Factory Default De-Rating LUT)

| Reg Load Sequence # | Reg (hex) | Value (hex) | Comments |
|---------------------|-----------|-----------------------------------|-------------------------------------------------------------------------------------|
| 1 | 1Eh | 00h | Initialize Configuration Register |
| 2 | 49h | CCh | Ta-Tj Offset = -20°C |
| 3 | 4Ah | 18h | Set LED Shutdown Temp = 85°C (Ta referenced) |
| 4 | 4Bh | 20h | Set 2x de-rate mode starting at 55C |
| 5 | A0h | 36h | Load Si Diode K factor for - 1.71mV/C |
| 6 | A2h | User Loads Per LED Used | User loads LED K factor @ 1mA I _F 29h = -1.3mV/C for Nichia NSSW020BT |
| 7 | C0h | 40h | Load Si Diode η factor = 1.0 |
| 8 | D4h | 04h | Load Si Diode R _s = 68 ohms |
| 9 | D6h | User Loads Per LED Used | User loads LED R _s 61h = 17 ohms for Nichia NSSW020BT |
| 10 | 1Fh | 10h | User issues temp calibration command |
| 11 | 00h | User Loads Ex: F0h = 30mA | User sets Current for Bank A. |
| 12 | 01h | User Loads Ex: F0h = 30mA | User sets Current for Bank A. |
| 13 | 02h | User Loads Ex: F0h = 30mA | User sets Current for Bank B. |
| 14 | 03h | User Loads Ex: 3Fh = all channels | User enabled LED channels |
| 15 | 05h | User Loads Ex: FEh = 91% DC | User sets PWM duty cycle for all channels |

The de-rate table stored in the correction LUT is referenced to the LED T_j . Register 49h can be used to apply the T_a - T_j temperature offset between the ambient and LED junction temperature. This can effect a +/- shift of the de-rating curve in the Temperature axis to reference the de-rating profile to ambient, and/or set the start of de-rating to the desired ambient temperature level to accommodate different LEDs and current/power levels. The default table will de-rate the current ~ - 9.2 dB (0.348x) from its user set low temperature maximum level over 35°C (from the start of the de-rate temperature). For example, if the LED current is set to 30mA prior to de-rating, and de-rating begins at 55°C, at 85°C the current is de-rated to $0.348 \times 30\text{mA} = 10.4\text{mA}$.

Register 4Ah sets the LEDs shutdown junction temperature per the T-codes provided in Table 7. When this temperature is exceeded, all of the LED current driver channels are disabled to insure no damage to the LEDs. Additionally, an LED OT (over temperature) status flag is set HIGH in Bit 7 of the enable channel register 03h. If the flag is set the user can re-enable the channels by re-writing to the channel enable bits in register 03h, however the OT flag will still remain HIGH, until the device is power sequenced, reset, or placed in the shutdown mode.

If a T_a - T_j offset is used other than 00h (i.e. 0°C) in register, 49h, than the shutdown junction temperature loaded in 4Ah should also include this offset. This insures the LED shutdown is also properly referenced to ambient level, T_a .

LED Current Setting

Current setting registers 00h – 02h should be programmed using I²C interface and desired LEDs should be enabled using register 03h before LEDs turn on.

The standard I²C interface procedure is used to program I_{LED} current (see chapter “I²C INTERFACE”). LDS8161/41 should be addressed with slave address chosen (see Table 11 for accessible slave addresses) followed by register address (00h, 01h, or 02h) and data that represents the code for the desired LED current.

Code for LED current is determined as $I_{LED}/0.125\text{ mA}$ in hex format, i.e. 20 mA current code = $20/0.125 = 160$ (dec) = A0h.

The maximum current setting is 31.875 mA. Since the LDS8161/41 is a low drop-out LDO based linear LED driver, when using maximum current levels, users should select LEDs with $V_F < 3.3\text{V}$ to maximize operation with Li-ion batteries.

To turn LEDs ON/OFF register 03h should be addressed with data that represents the desired combination of LEDs turned ON/OFF (see Table 1); i.e. if LEDC1, LEDC2, LEDA1, LEDA2 should be ON, and LEDB1, LEDB2 should be OFF, binary code that should be written into register 03h is 110011 (bin) = 33h.

The LDS8161/41 allows two ways for LED current setting and dimming; analog (static) dimming using the 8 bit current DACs, and dynamic dimming via the integrated 12-bit digital PWM. Combining both methods allows for total dimming capability of > 16,384:1

Analog dimming using the current setting DACs discussed via registers 00h – 02h is referred to as the static mode. Digital dimming using the internal PWM generator changes the duty cycle per the value set in register 05h and therefore adjusts the average LED current. This is referred to as dynamic mode.

For dynamic mode, the LDS8161/41 integrates a digital PWM generator that operates at a frequency of ~ 285 Hz. It operates in Logarithmic Mode. The PWM generator has 12-bit resolution and can be programmed with an 8-bit code to provide 256 internally mapped 12-bit logarithmic duty cycle steps to adjust the dimming level

The advantage of PWM dimming is stable LED color temperature / wavelength that is determined by the maximum static mode LED current value set by registers 00h – 02h. The integrated PWM generator reduces the system requirement to provide a continuous pulsed waveform.

To use the dynamic PWM mode for LED current setting, the maximum I_{LED} value should first be set by current DAC registers 00h – 02h as described above for static mode, and desired dimming / duty cycle can be set by register 05h. The logarithmic operating mode provides a dimming resolution of approximately -0.17 dB per step with 0dB dimming (i.e. 100% duty cycle) at the 256th step (i.e. FFh), and 0% duty cycle (~ -80 dB dimming) at 00h.

LED-Sense™ High Temperature Current De-rating

The LDS8161/41 integrates the IXYS LED-Sense™ temperature measurement and high temperature current de-rating algorithm to insure LED reliability and operating lifetimes.

LED current is de-rated via reductions in PWM duty cycle to meet LED vendor power dissipation vs. LED junction temperature specifications.

User programmable de-rating adjustments are stored in a correction LUT comprised of eight 8-bit registers from 56h to 5Dh. Each register stores a 4-bit

adjustment code for two 5°C temperature steps in its lower (bits 3:0) and higher (bits 7:4) nibble. User loadable de-rating codes in the 1x scale mode represent 0 to -7 PWM de-rating steps. In the 2 x scale mode the de-rating codes represent 0 to -14 PWM steps.

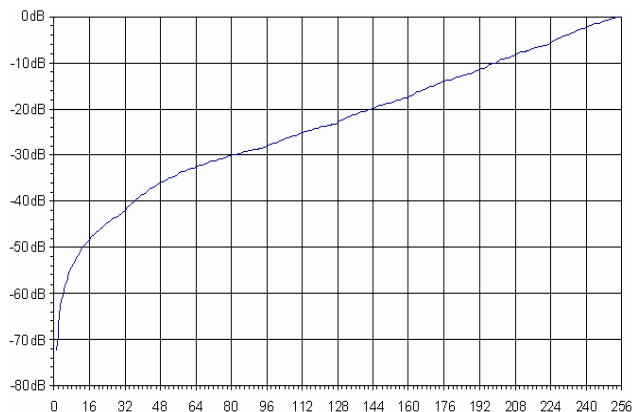


Figure 4: Dynamic Mode Dimming in Logarithmic Mode in dB vs. register 05h data (0dB dimming = full LED brightness)

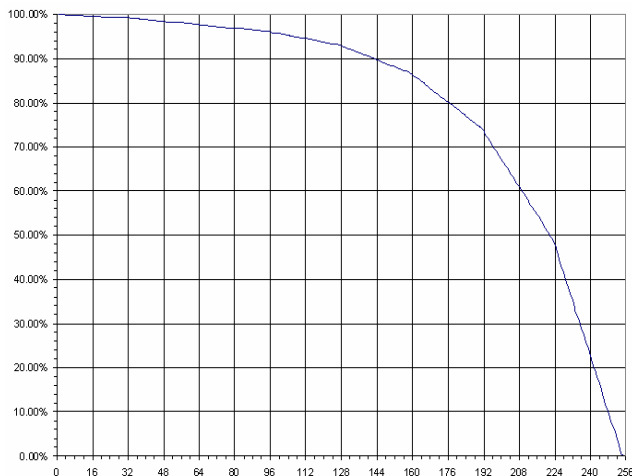


Figure 5: Dynamic Mode Dimming in Logarithmic Mode in percent vs. register 05h data (0% dimming = full LED brightness)

Additionally, the LED drivers are disabled (i.e. 0 DC current) if the measured LED junction temperature exceeds a preset value that is loaded in register 4Ah. The default is set for 1Ch = 105°C T_j.

The LED-Sense™ engine periodically measures the LED junction temperature on channel LEDA1 and encodes the value into 5-bit T-codes representing 5°C temperature intervals from -35 to +120°C.

The measured T-code value addresses the stored ΔPWM de-rating codes stored in the LUT registers to

adjust the PWM duty cycle. Therefore this reduces the average current through the LEDs as defined by the LUT table.

The user loads specific ΔPWM de-rating codes into the LUT (56h – 5Dh) for every 5°C temperature step from 25°C to 100°C to meet desired current and power vs. LED junction temperature.

LUT de-rating correction codes are subtracted from the user-set duty cycle/dimming code (dynamic mode) loaded in register 05h to maintain reliable LED current levels.

The LDS8161/41 includes a 10-bit ADC and digital processing engine to determine LED temperatures approximately every 2.5 seconds. The proprietary LED-Sense™ algorithm allows direct measurement of LED junction temperatures on the LEDA1 driver channel, without the need for an external temperature sensor. Additionally an on-chip silicon temperature sensing diode is also measured to enhance temperature estimation accuracy.

Additionally, the ADC and processing circuits are time-multiplexed to provide an LED opens and shorts diagnostic feature.

A Factory loaded de-rating curve is valid upon reset, and provide the de-rating profile shown at Figure 3.

I²C Interface

The LDS8160 uses a 2-wire serial I²C-bus interface. The SDAT and SCLK lines comply with the I²C electrical specification and should be terminated with pull-up resistors to the logic voltage supply. When the bus is not used, both lines are high. The device supports a maximum bus speed of 400kbit/s. The serial bit sequence is shown at REGISTER DEFINITION AND PROGRAMMING section for read and write operations into the registers. Read and write instructions are initiated by the master controller/CPU and acknowledged by the slave LED driver.

The LDS8161/41 allows user to choose between two I²C addresses by connecting SADD pin (#3) either to ground, or V_{IN} pin (see Table).

Table 11: LDS8161/41 I²C Slave Addresses

| SADD pin connected to | I ² C Address | |
|-----------------------|--------------------------|-----|
| | Binary code | Hex |
| Ground | 001 0001 | 11h |
| V _{IN} | 101 0101 | 55h |

For further details on the I²C protocol, please refer to the I²C-Bus Specification, document number 9398-393-40011, from Philips Semiconductors.

Unused LED Channels

For applications with less than six (8161) or four (8141) LEDs, the unused LED channels can be disabled via the I²C interface by addressing register 03h with data that represents the desired combination of LEDs turned ON/OFF (see Table 1).

The LDS8161/41 unused LED outputs can be left open.

Parallel-Connected LED Channels for Higher Current LEDs

In higher power LED applications requiring more than 31.875 mA DC current, LED driver channels can be connected in parallel.

For example, ½ watt, 150 mA LEDs can be driven with the LDS8161 by paralleling all 6 channels with 25 mA per channel. Likewise, the LDS8141 can drive up to 127.5 mA by connecting all 4 channels in parallel at the maximum 31.875 mA per channel.

LED short/open protection

The LDS8161/41 runs a LED short/open diagnostic routine upon the power up sequence. It detects both LED pins shorted to ground and LED pins that are open or shorted to V_{IN} (fault conditions).

The results for short to GND detection are stored in Diagnostics Register 1Ch. Bits from bit 5 to bit 0 indicate a short status as bit = 1 for LEDC2 - LEDA1 respectively. A short to GND is detected, if the measured LED pin voltage is less than ~ 0.14 V independent of the programmed LED current. Every channel, detected as shorted, is disabled

Test results for open or short to V_{IN} LED pins are stored in Diagnostics Register 1Dh, Bits from bit 5 to bit 0 represent LEDC2 - LEDA1 respectively with bit = 1 indicates fault condition at this particular LED pin.

An open LED pin fault causes no harm in the LDS8161/41 or the LED as the high side driver has no current path from V_{IN} or GND. Therefore, the fault detection status indicates only in the 1Dh diagnostic register, and no further action is required.

In the case of an LED directly shorted to V_{IN}, the full V_{IN} voltage will be connected to the LED and current can flow independent of the LDS8161/41 LED driver circuit directly to GND. The LDS8161/41 will detect the fault and indicate the status in Register 1Dh, however further action needs taken at the system

level to shutdown V_{IN} power to prevent possible damage to the LED. The combined series resistance of the LED (typically ~ 10Ω or more) and additional board series resistance will result in current limiting but not sufficient to insure no damage to low power LEDs.

Besides the power-up diagnostic sequence, the user can re-initiate a diagnostic command at any time by setting bit 5 of the Digital Test Modes Register, 19h, to HIGH.

The LDS8161/41 restores LED current to programmed value at channels with detected shorts to GND after the fault condition is removed.

Over-Temperature Protection

If the die temperature exceeds +150°C, the driver will enter shutdown mode. The LDS8161/41 requires restart after die temperature falls below 130°C.

LED Selection

If the power source is a Li-ion battery, LEDs with V_F = 1.9 V - 3.3 V are recommended to achieve highest efficiency performance and extended operation on a single battery charge.

External Components

The driver requires one external 1 μF ceramic capacitors (C_{IN}) X5R or X7R type.

CONFIGURATION MODES

The LDS8161/41 allows the option to choose special operating modes overwriting content of Configuration Register 1Eh (see Table 2).

Bit 1 allows bypass soft start / ramp down if fast raising/falling LED current required.

Bit 2 allows disable LED temperature compensation if desired.

The LDS8161/41 also provides the option for using an external remote temperature-sensing diode device such as a 2N3904. To use this option the diode anode should be connected to channel LEDA1. The cathode connected to GND. In this case, channel LEDA1 should be disabled via register 03h and it cannot operate as an LED current source.

Bits 0, 3, 4, 5, 6, and 7 of the Configuration Register 1Eh are for factory use only and should be set to 0 or the user should use the power-on-reset values.

STANDBY MODES

The LDS8161/41 has a “soft” standby or sleep mode, which the customer may set by I²C interface addressing register 1Fh with bit 6 = 1 (see Table 4).

In the Standby Mode, the I²C interface remains active and all registers retain their programmed information.

In Standby Mode the LED drivers and internal clock are powered off; however, internal regulators and reference circuits remain active to insure power to the digital sections to hold register values and maintain I²C interface communications. This results in standby current ~ 125 μ A typical. For this mode, the EN pin should be logic HIGH with signal level from 1.3 to V_{IN} voltage.

SHUTDOWN MODE

To set LDS8161/41 into the shutdown mode, the EN pin should be logic low more than 10 ms. The LDS8161/41 shutdown current is less than 1 μ A.

The LDS8161/41 wakes up from shutdown mode with factory-preset default data. To preserve customer-programmed data, use Normal standby mode.

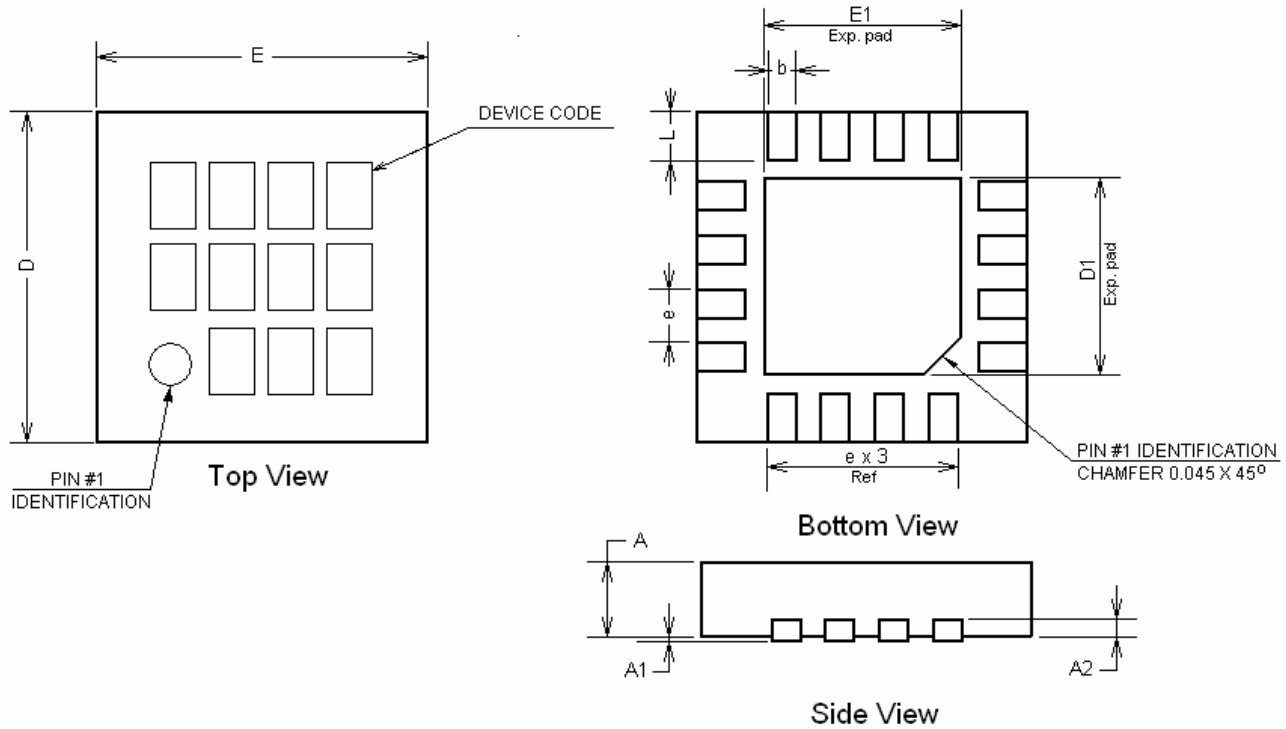
PROGRAMMING MODES

The LDS8161/41 is factory preprogrammed with a default temperature de-rating LUT that works with the Nichia NSSW020BT WLEDs or equivalent. However, specific LEDs and other user system conditions may require user programming of the temperature compensation LUTs and other LED specific parameters.

After initialization and user programming the user should conduct an I²C calibration sequence command by writing Bit 4 = 1 in the Control register 1Fh. This conducts a real time calibration of the initial starting temperature and actual LED parameters. Upon completion, Bit 4 will be internally reset to 0, and the LDS8161/41 is ready for use.

PACKAGE DRAWING AND DIMENSIONS

16-PIN TQFN (HV3), 3mm x 3mm, 0.5mm PITCH



| SYMBOL | MIN | NOM | MAX |
|--------|-------|-----------|-------|
| A | 0.70 | 0.75 | 0.80 |
| A1 | 0.00 | 0.02 | 0.05 |
| A2 | 0.178 | 0.203 | 0.228 |
| b | 0.20 | 0.25 | 0.30 |
| D | 2.95 | 3.00 | 3.05 |
| D1 | 1.65 | 1.70 | 1.75 |
| E | 2.95 | 3.00 | 3.05 |
| E1 | 1.65 | 1.70 | 1.75 |
| e | | 0.50 typ | |
| L | 0.325 | 0.375 | 0.425 |
| m | | 0.150 typ | |
| n | | 0.225 typ | |

Note:

1. All dimensions are in millimeters
2. Complies with JEDEC Standard MO-220

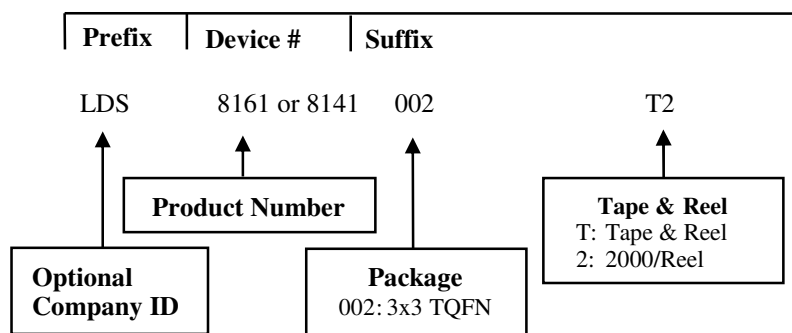
ORDERING INFORMATION

| Part Number | Package | Package Marking |
|----------------|--------------------------------|-----------------|
| LDS8161 002-T2 | TQFN-16 3 x 3mm ⁽¹⁾ | 8161 |
| LDS8141 002-T2 | TQFN-16 3 x 3mm ⁽¹⁾ | 8141 |

Notes:

1. Matte-Tin Plated Finish (RoHS-compliant)
2. Quantity per reel is 2000

EXAMPLE OF ORDERING INFORMATION



Notes:

- 1) All packages are RoHS-compliant (Lead-free, Halogen-free).
- 2) The standard lead finish is Matte-Tin.
- 3) The device used in the above example is a LDS8161A 002-T2 (3x3 TQFN, Tape & Reel).
- 4) For additional package and temperature options, please contact your nearest IXYS Corp. Sales office.

Appendix 1

Table 5 Dynamic Mode Dimming in Logarithmic Mode vs. register 05h data

| # of steps | Hex code | Dimming, dB | Dimming, % | # of steps | Hex code | Dimming, dB | Dimming, % | # of steps | Hex code | Dimming, dB | Dimming, % |
|------------|----------|-------------|------------|------------|----------|-------------|------------|------------|----------|-------------|------------|
| 0 | 00 | | 100 | 32 | 20 | -41.9 | 99.19 | 64 | 40 | -32.6 | 97.63 |
| 1 | 01 | -72.3 | 99.98 | 33 | 21 | -41.4 | 99.15 | 65 | 41 | -32.4 | 97.58 |
| 2 | 02 | -66.3 | 99.95 | 34 | 22 | -40.9 | 99.10 | 66 | 42 | -32.2 | 97.53 |
| 3 | 03 | -62.8 | 99.93 | 35 | 23 | -40.5 | 99.05 | 67 | 43 | -32.1 | 97.49 |
| 4 | 04 | -60.3 | 99.90 | 36 | 24 | -40.1 | 99.00 | 68 | 44 | -31.9 | 97.44 |
| 5 | 05 | -58.3 | 99.88 | 37 | 25 | -39.6 | 98.95 | 69 | 45 | -31.7 | 97.39 |
| 6 | 06 | -56.7 | 99.85 | 38 | 26 | -39.2 | 98.90 | 70 | 46 | -31.6 | 97.34 |
| 7 | 07 | -55.4 | 99.83 | 39 | 27 | -38.9 | 98.85 | 71 | 47 | -31.4 | 97.29 |
| 8 | 08 | -54.3 | 99.80 | 40 | 28 | -38.5 | 98.80 | 72 | 48 | -31.3 | 97.24 |
| 9 | 09 | -53.2 | 99.78 | 41 | 29 | -38.2 | 98.75 | 73 | 49 | -31.1 | 97.19 |
| 10 | 0A | -52.3 | 99.76 | 42 | 2A | -37.8 | 98.71 | 74 | 4A | -30.9 | 97.14 |
| 11 | 0B | -51.5 | 99.73 | 43 | 2B | -37.5 | 98.66 | 75 | 4B | -30.8 | 97.09 |
| 12 | 0C | -50.7 | 99.71 | 44 | 2C | -37.2 | 98.61 | 76 | 4C | -30.7 | 97.05 |
| 13 | 0D | -50 | 99.68 | 45 | 2D | -36.9 | 98.56 | 77 | 4D | -30.5 | 97.00 |
| 14 | 0E | -49.4 | 99.66 | 46 | 2E | -36.6 | 98.51 | 78 | 4E | -30.4 | 96.95 |
| 15 | 0F | -48.8 | 99.63 | 47 | 2F | -36.3 | 98.46 | 79 | 4F | -30.2 | 96.90 |
| 16 | 10 | -48.2 | 99.61 | 48 | 30 | -36.1 | 98.41 | 80 | 50 | -30.1 | 96.85 |
| 17 | 11 | -47.7 | 99.58 | 49 | 31 | -35.8 | 98.36 | 81 | 51 | -30 | 96.80 |
| 18 | 12 | -47.2 | 99.56 | 50 | 32 | -35.5 | 98.32 | 82 | 52 | -29.8 | 96.75 |
| 19 | 13 | -46.7 | 99.54 | 51 | 33 | -35.3 | 98.27 | 83 | 53 | -29.7 | 96.70 |
| 20 | 14 | -46.3 | 99.51 | 52 | 34 | -35 | 98.22 | 84 | 54 | -29.6 | 96.66 |
| 21 | 15 | -45.9 | 99.49 | 53 | 35 | -34.8 | 98.17 | 85 | 55 | -29.5 | 96.61 |
| 22 | 16 | -45.5 | 99.46 | 54 | 36 | -34.6 | 98.12 | 86 | 56 | -29.3 | 96.56 |
| 23 | 17 | -45.1 | 99.44 | 55 | 37 | -34.4 | 98.07 | 87 | 57 | -29.2 | 96.51 |
| 24 | 18 | -44.7 | 99.41 | 56 | 38 | -34.1 | 98.02 | 88 | 58 | -29.1 | 96.46 |
| 25 | 19 | -44.4 | 99.39 | 57 | 39 | -33.9 | 97.97 | 89 | 59 | -29 | 96.41 |
| 26 | 1A | -44 | 99.37 | 58 | 3A | -33.7 | 97.92 | 90 | 5A | -28.8 | 96.36 |
| 27 | 1B | -43.7 | 99.34 | 59 | 3B | -33.5 | 97.88 | 91 | 5B | -28.7 | 96.31 |
| 28 | 1C | -43.4 | 99.32 | 60 | 3C | -33.3 | 97.83 | 92 | 5C | -28.6 | 96.26 |
| 29 | 1D | -43.1 | 99.29 | 61 | 3D | -33.1 | 97.78 | 93 | 5D | -28.5 | 96.22 |
| 30 | 1E | -42.8 | 99.27 | 62 | 3E | -32.9 | 97.73 | 94 | 5E | -28.4 | 96.17 |
| 31 | 1F | -42.5 | 99.24 | 63 | 3F | -32.8 | 97.68 | 95 | 5F | -28.3 | 96.12 |

Continued

Table 10 Dynamic Mode Dimming in Logarithmic Mode vs. register 05h data

Continue

| # of steps | Hex code | Dimming, dB | Dimming, % | # of steps | Hex code | Dimming, dB | Dimming, % | # of steps | Hex code | Dimming, dB | Dimming, % |
|------------|----------|-------------|------------|------------|----------|-------------|------------|------------|----------|-------------|------------|
| 96 | 60 | -28.1 | 96.02 | 128 | 80 | -22.9 | 92.80 | 160 | A0 | -17.4 | 86.35 |
| 97 | 61 | -27.9 | 95.92 | 129 | 81 | -22.7 | 92.60 | 161 | A1 | -17.1 | 85.96 |
| 98 | 62 | -27.7 | 95.83 | 130 | 82 | -22.5 | 92.41 | 162 | A2 | -16.9 | 85.57 |
| 99 | 63 | -27.5 | 95.73 | 131 | 83 | -22.2 | 92.21 | 163 | A3 | -16.6 | 85.18 |
| 100 | 64 | -27.3 | 95.63 | 132 | 84 | -22 | 92.02 | 164 | A4 | -16.4 | 84.79 |
| 101 | 65 | -27.1 | 95.53 | 133 | 85 | -21.8 | 91.82 | 165 | A5 | -16.2 | 84.40 |
| 102 | 66 | -26.9 | 95.43 | 134 | 86 | -21.6 | 91.63 | 166 | A6 | -16 | 84.01 |
| 103 | 67 | -26.7 | 95.34 | 135 | 87 | -21.4 | 91.43 | 167 | A7 | -15.8 | 83.62 |
| 104 | 68 | -26.5 | 95.24 | 136 | 88 | -21.2 | 91.24 | 168 | A8 | -15.6 | 83.23 |
| 105 | 69 | -26.3 | 95.14 | 137 | 89 | -21 | 91.04 | 169 | A9 | -15.4 | 82.84 |
| 106 | 6A | -26.2 | 95.04 | 138 | 8A | -20.8 | 90.84 | 170 | AA | -15.2 | 82.45 |
| 107 | 6B | -26 | 94.95 | 139 | 8B | -20.6 | 90.65 | 171 | AB | -15 | 82.06 |
| 108 | 6C | -25.8 | 94.85 | 140 | 8C | -20.5 | 90.45 | 172 | AC | -14.8 | 81.67 |
| 109 | 6D | -25.7 | 94.75 | 141 | 8D | -20.3 | 90.26 | 173 | AD | -14.6 | 81.27 |
| 110 | 6E | -25.5 | 94.65 | 142 | 8E | -20.1 | 90.06 | 174 | AE | -14.4 | 80.88 |
| 111 | 6F | -25.3 | 94.56 | 143 | 8F | -20 | 89.87 | 175 | AF | -14.3 | 80.49 |
| 112 | 70 | -25.2 | 94.46 | 144 | 90 | -19.8 | 89.67 | 176 | B0 | -14.1 | 80.10 |
| 113 | 71 | -25 | 94.36 | 145 | 91 | -19.6 | 89.48 | 177 | B1 | -13.9 | 79.71 |
| 114 | 72 | -24.9 | 94.26 | 146 | 92 | -19.5 | 89.28 | 178 | B2 | -13.8 | 79.32 |
| 115 | 73 | -24.7 | 94.17 | 147 | 93 | -19.3 | 89.09 | 179 | B3 | -13.6 | 78.93 |
| 116 | 74 | -24.6 | 94.07 | 148 | 94 | -19.2 | 88.89 | 180 | B4 | -13.4 | 78.54 |
| 117 | 75 | -24.5 | 93.97 | 149 | 95 | -19 | 88.70 | 181 | B5 | -13.3 | 78.15 |
| 118 | 76 | -24.3 | 93.87 | 150 | 96 | -18.9 | 88.50 | 182 | B6 | -13.1 | 77.76 |
| 119 | 77 | -24.2 | 93.77 | 151 | 97 | -18.7 | 88.31 | 183 | B7 | -13 | 77.37 |
| 120 | 78 | -24 | 93.68 | 152 | 98 | -18.6 | 88.11 | 184 | B8 | -12.8 | 76.98 |
| 121 | 79 | -23.9 | 93.58 | 153 | 99 | -18.4 | 87.92 | 185 | B9 | -12.7 | 76.59 |
| 122 | 7A | -23.8 | 93.48 | 154 | 9A | -18.3 | 87.72 | 186 | BA | -12.5 | 76.20 |
| 123 | 7B | -23.7 | 93.38 | 155 | 9B | -18.1 | 87.52 | 187 | BB | -12.4 | 75.81 |
| 124 | 7C | -23.5 | 93.29 | 156 | 9C | -18 | 87.33 | 188 | BC | -12.3 | 75.42 |
| 125 | 7D | -23.4 | 93.19 | 157 | 9D | -17.9 | 87.13 | 189 | BD | -12.1 | 75.02 |
| 126 | 7E | -23.3 | 93.09 | 158 | 9E | -17.7 | 86.94 | 190 | BE | -12 | 74.63 |
| 127 | 7F | -23.2 | 92.99 | 159 | 9F | -17.6 | 86.74 | 191 | BF | -11.8 | 74.24 |

Continued

Table 10 Dynamic Mode Dimming in Logarithmic Mode vs. register 05h data

Continue

| # of steps | Hex code | Dimming, dB | Dimming, % | # of steps | Hex code | Dimming, dB | Dimming, % |
|------------|----------|-------------|------------|------------|----------|-------------|------------|
| 192 | C0 | -11.6 | 73.46 | 224 | E0 | -5.7 | 47.68 |
| 193 | C1 | -11.3 | 72.68 | 225 | E1 | -5.4 | 46.12 |
| 194 | C2 | -11.1 | 71.90 | 226 | E2 | -5.2 | 44.56 |
| 195 | C3 | -10.9 | 71.12 | 227 | E3 | -4.9 | 42.99 |
| 196 | C4 | -10.6 | 70.34 | 228 | E4 | -4.7 | 41.43 |
| 197 | C5 | -10.4 | 69.56 | 229 | E5 | -4.5 | 39.87 |
| 198 | C6 | -10.2 | 68.77 | 230 | E6 | -4.3 | 38.31 |
| 199 | C7 | -10 | 67.99 | 231 | E7 | -4 | 36.74 |
| 200 | C8 | -9.8 | 67.21 | 232 | E8 | -3.8 | 35.18 |
| 201 | C9 | -9.5 | 66.43 | 233 | E9 | -3.6 | 33.62 |
| 202 | CA | -9.3 | 65.65 | 234 | EA | -3.4 | 32.06 |
| 203 | CB | -9.2 | 64.87 | 235 | EB | -3.2 | 30.49 |
| 204 | CC | -9 | 64.09 | 236 | EC | -3 | 28.93 |
| 205 | CD | -8.8 | 63.31 | 237 | ED | -2.8 | 27.37 |
| 206 | CE | -8.6 | 62.52 | 238 | EE | -2.7 | 25.81 |
| 207 | CF | -8.4 | 61.74 | 239 | EF | -2.5 | 24.24 |
| 208 | D0 | -8.2 | 60.96 | 240 | F0 | -2.3 | 22.68 |
| 209 | D1 | -8.1 | 60.18 | 241 | F1 | -2.1 | 21.12 |
| 210 | D2 | -7.9 | 59.40 | 242 | F2 | -2 | 19.56 |
| 211 | D3 | -7.7 | 58.62 | 243 | F3 | -1.8 | 17.99 |
| 212 | D4 | -7.6 | 57.84 | 244 | F4 | -1.6 | 16.43 |
| 213 | D5 | -7.4 | 57.06 | 245 | F5 | -1.5 | 14.87 |
| 214 | D6 | -7.3 | 56.27 | 246 | F6 | -1.3 | 13.31 |
| 215 | D7 | -7.1 | 55.49 | 247 | F7 | -1.2 | 11.74 |
| 216 | D8 | -6.9 | 54.71 | 248 | F8 | -1 | 10.18 |
| 217 | D9 | -6.8 | 53.93 | 249 | F9 | -0.8 | 8.62 |
| 218 | DA | -6.7 | 53.15 | 250 | FA | -0.7 | 7.06 |
| 219 | DB | -6.5 | 52.37 | 251 | FB | -0.6 | 5.49 |
| 220 | DC | -6.4 | 51.59 | 252 | FC | -0.4 | 3.93 |
| 221 | DD | -6.2 | 50.81 | 253 | FD | -0.3 | 2.37 |
| 222 | DE | -6.1 | 50.02 | 254 | FE | -0.1 | 0.81 |
| 223 | DF | -6 | 49.24 | 255 | FF | 0 | 0.00 |

Warranty and Use

IXYS CORP. MAKES NO WARRANTY, REPRESENTATION OR GUARANTEE, EXPRESS OR IMPLIED, REGARDING THE SUITABILITY OF ITS PRODUCTS FOR ANY PARTICULAR PURPOSE, NOR THAT THE USE OF ITS PRODUCTS WILL NOT INFRINGE ITS INTELLECTUAL PROPERTY RIGHTS OR THE RIGHTS OF THIRD PARTIES WITH RESPECT TO ANY PARTICULAR USE OR APPLICATION AND SPECIFICALLY DISCLAIMS ANY AND ALL LIABILITY ARISING OUT OF ANY SUCH USE OR APPLICATION, INCLUDING BUT NOT LIMITED TO, CONSEQUENTIAL OR INCIDENTAL DAMAGES.

IXYS Corp. products are not designed, intended, or authorized for use as components in systems intended for surgical implant into the body, or other applications intended to support or sustain life, or for any other application in which the failure of the IXYS Corp. product could create a situation where personal injury or death may occur.

IXYS Corp. reserves the right to make changes to or discontinue any product or service described herein without notice. Products with data sheets labeled "Advance Information" or "Preliminary" and other products described herein may not be in production or offered for sale.

IXYS Corp. advises customers to obtain the current version of the relevant product information before placing orders. Circuit diagrams illustrate typical semiconductor applications and may not be complete.



IXYS Corp.
1590 Buckeye Dr.,
Milpitas, CA 95035-7418
Phone: 408.457.9000
Fax: 408.496.0222
<http://www.ixys.com>

Document No: 8141/61_DS
Revision: N1.0
Issue date: 10/20/2009