



Chipsmall Limited consists of a professional team with an average of over 10 year of expertise in the distribution of electronic components. Based in Hongkong, we have already established firm and mutual-benefit business relationships with customers from,Europe,America and south Asia,supplying obsolete and hard-to-find components to meet their specific needs.

With the principle of “Quality Parts,Customers Priority,Honest Operation,and Considerate Service”,our business mainly focus on the distribution of electronic components. Line cards we deal with include Microchip,ALPS,ROHM,Xilinx,Pulse,ON,Everlight and Freescale. Main products comprise IC,Modules,Potentiometer,IC Socket,Relay,Connector.Our parts cover such applications as commercial,industrial, and automotives areas.

We are looking forward to setting up business relationship with you and hope to provide you with the best service and solution. Let us make a better world for our industry!



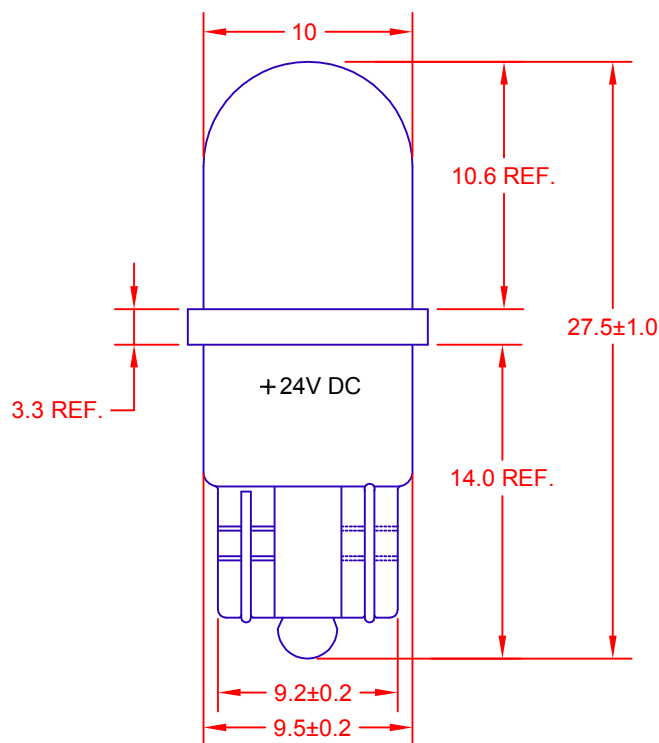
## Contact us

Tel: +86-755-8981 8866 Fax: +86-755-8427 6832

Email & Skype: info@chipsmall.com Web: www.chipsmall.com

Address: A1208, Overseas Decoration Building, #122 Zhenhua RD., Futian, Shenzhen, China





**NOTES:**

1. LED includes integrated diode for reverse voltage protection.
2. LED includes integrated resistor for current limiting.

Operating Temperature Range	-30°C to +85°C
Storage Temperature Range	-40° to +100°C

**TYPICAL ELECTRICAL & OPTICAL OPERATING CHARACTERISTICS**

(Ta = 25 degree C)

PART NUMBER	EMITTING COLOR	AMPERAGE mA	VOLTAGE Vdc	LUMENS	DOMINANT WAVELENGTH	VIEWING ANGLE DEGREES
LE-0509-02R	RED	20mA	24.0	0.70	630nm	20
LE-0509-02Y	YELLOW	20mA	24.0	0.70	595nm	20
LE-0509-02G	GREEN	20mA	24.0	2.00	525nm	20
LE-0509-02B	BLUE	20mA	24.0	0.70	470nm	20
LE-0509-02W	9000°K WHITE	20mA	24.0	2.50	x = 0.28 y = 0.29	20
LE-0509-02WW	2600°K WHITE	20mA	24.0	2.50	x = 0.401 y = 0.392	20

<table border="1"> <tr> <td>F</td> <td>CHANGE LAMP LABEL TO 24V DC</td> <td>9/10/14</td> </tr> <tr> <td>E</td> <td>CHANGE MOL FROM 28.5 +/- 1.0 TO 27.5 +/- 1.0</td> <td>6/17/14</td> </tr> <tr> <td>D</td> <td>ADD + TO 24V DC MARK AND SHOW 2 LEADS</td> <td>2/20/12</td> </tr> <tr> <td>C</td> <td>ADD 9000°K WHITE AND 2600°K WHITE</td> <td>6/16/10</td> </tr> <tr> <td>B</td> <td>CHANGE CHART</td> <td>8/25/08</td> </tr> <tr> <td>A</td> <td>ADD LE-0509-02WW PART NO. TO LIST</td> <td>12/7/07</td> </tr> <tr> <td></td> <td>ENGR RELEASE &amp; CANCEL PL-0509-02-1 TO -5</td> <td>7/3/06</td> </tr> </table>			F	CHANGE LAMP LABEL TO 24V DC	9/10/14	E	CHANGE MOL FROM 28.5 +/- 1.0 TO 27.5 +/- 1.0	6/17/14	D	ADD + TO 24V DC MARK AND SHOW 2 LEADS	2/20/12	C	ADD 9000°K WHITE AND 2600°K WHITE	6/16/10	B	CHANGE CHART	8/25/08	A	ADD LE-0509-02WW PART NO. TO LIST	12/7/07		ENGR RELEASE & CANCEL PL-0509-02-1 TO -5	7/3/06	<p><b>METRIC</b></p> <p>THIRD ANGLE PROJECTION</p>		<p>DIMENSIONS ARE IN MILLIMETERS</p> <p>TOLERANCE UNLESS OTHERWISE SPECIFIED</p> <p>1 PL +/- 0.2</p> <p>2 PL +/- 0.20</p> <p>ANGLE +/- 0</p>		<p><b>JKL COMPONENTS CORPORATION</b></p> <p>TITLE</p> <p><b>T-3 1/4 24V WEDGE BASE LED</b></p>				
F	CHANGE LAMP LABEL TO 24V DC	9/10/14																														
E	CHANGE MOL FROM 28.5 +/- 1.0 TO 27.5 +/- 1.0	6/17/14																														
D	ADD + TO 24V DC MARK AND SHOW 2 LEADS	2/20/12																														
C	ADD 9000°K WHITE AND 2600°K WHITE	6/16/10																														
B	CHANGE CHART	8/25/08																														
A	ADD LE-0509-02WW PART NO. TO LIST	12/7/07																														
	ENGR RELEASE & CANCEL PL-0509-02-1 TO -5	7/3/06																														
<p>DRAWN BY</p> <p>L. WENGSTROM</p>			<p>APPV'D BY DATE</p> <p>L.R. 9/10/14</p>		<p>SIZE</p> <p><b>A</b></p>	<p>FSCM NO.</p> <p><b>55335</b></p>	<p>DRAWING NO.</p> <p><b>LE-0509-02</b></p>			<p>SCALE</p> <p><b>NONE</b></p>		<p>RELEASED DATE</p> <p>7/3/06</p>	<p>REVISION DATE</p> <p>9/10/14</p>	<p>REV. NO.</p> <p><b>F</b></p>	<p>SHEET</p> <p><b>1 OF 1</b></p>																	
<p>REV. NO.</p> <p>DESCRIPTION/ECO NUMBR</p> <p>APPV'D DATE</p>			<p>- CAD DRAWING -</p> <p>MANUAL REVISIONS NOT PERMITTED</p>																													