



Chipsmall Limited consists of a professional team with an average of over 10 year of expertise in the distribution of electronic components. Based in Hongkong, we have already established firm and mutual-benefit business relationships with customers from,Europe,America and south Asia,supplying obsolete and hard-to-find components to meet their specific needs.

With the principle of “Quality Parts,Customers Priority,Honest Operation,and Considerate Service”,our business mainly focus on the distribution of electronic components. Line cards we deal with include Microchip,ALPS,ROHM,Xilinx,Pulse,ON,Everlight and Freescale. Main products comprise IC,Modules,Potentiometer,IC Socket,Relay,Connector.Our parts cover such applications as commercial,industrial, and automotives areas.

We are looking forward to setting up business relationship with you and hope to provide you with the best service and solution. Let us make a better world for our industry!



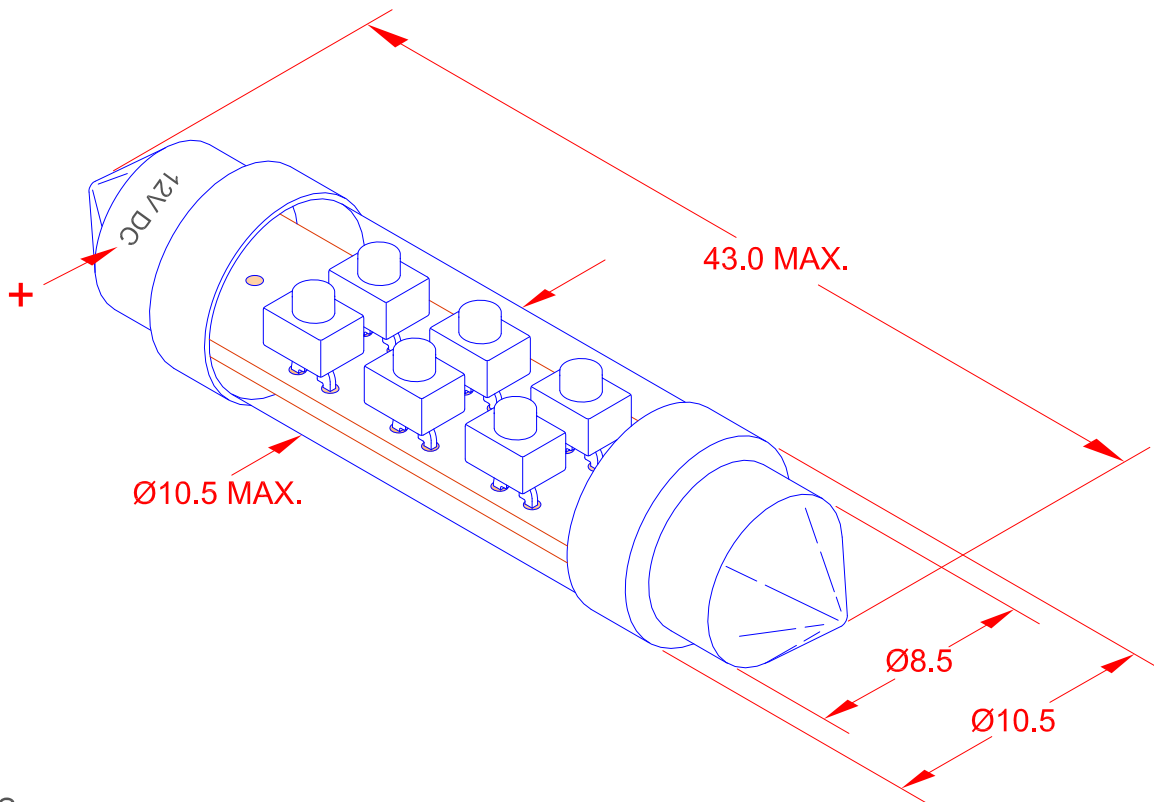
Contact us

Tel: +86-755-8981 8866 Fax: +86-755-8427 6832

Email & Skype: info@chipsmall.com Web: www.chipsmall.com

Address: A1208, Overseas Decoration Building, #122 Zhenhua RD., Futian, Shenzhen, China





NOTES:

1. LED includes integrated diode for reverse voltage protection.
2. LED includes integrated resistor for current limiting.

TYPICAL ELECTRICAL & OPTICAL OPERATING CHARACTERISTICS

(Ta = 25 degree C)

PART NUMBER	EMITTING COLOR	AMPERAGE mA	VOLTAGE Vdc	LUMENS	COLOR COORDINATES
LE-0603-02R	RED	20mA	12	2	630nm
LE-0603-02Y	YELLOW	20mA	12	2	595nm
LE-0603-02G	GREEN	20mA	12	9	525nm
LE-0603-02B	BLUE	20mA	12	2	470nm
LE-0603-02W	WHITE 9000K	14mA	12	10	x = 0.29 y = 0.28
LE-0603-02WW	WHITE 3000K	14mA	12	6	x = 0.43 y = 0.40

<table border="1"> <tr> <td>F</td> <td>VOLTAGE & LUMENS NO. CHANGE</td> <td>4/2/12</td> </tr> <tr> <td>E</td> <td>ADD -02WW & CANCEL PL-1201-06</td> <td>2/21/12</td> </tr> <tr> <td>D</td> <td>CHANGE WHITE TO 14mA</td> <td>12/8/10</td> </tr> <tr> <td>C</td> <td>CHANGE DIA. TO 10.5 MAX.</td> <td>11/10/09</td> </tr> <tr> <td>B</td> <td>CHANGE MOL TO 43.0 MAX.</td> <td>1/22/09</td> </tr> <tr> <td>A</td> <td>CHANGE CHARTS & ADD NOTES</td> <td>8/25/08</td> </tr> <tr> <td></td> <td>ENGR. RELEASE & CANCEL PL-0603-02-1 TO -5</td> <td>7/5/06</td> </tr> </table>			F	VOLTAGE & LUMENS NO. CHANGE	4/2/12	E	ADD -02WW & CANCEL PL-1201-06	2/21/12	D	CHANGE WHITE TO 14mA	12/8/10	C	CHANGE DIA. TO 10.5 MAX.	11/10/09	B	CHANGE MOL TO 43.0 MAX.	1/22/09	A	CHANGE CHARTS & ADD NOTES	8/25/08		ENGR. RELEASE & CANCEL PL-0603-02-1 TO -5	7/5/06	<p>METRIC</p> <p>THIRD ANGLE PROJECTION</p>		<p>DIMENSIONS ARE IN MILLIMETERS</p> <p>TOLERANCE UNLESS OTHERWISE SPECIFIED</p> <p>1 PL +/- 0.2</p> <p>2 PL +/- 0</p> <p>ANGLE +/- 0</p>		<p>JKL COMPONENTS CORPORATION</p>			
F	VOLTAGE & LUMENS NO. CHANGE	4/2/12																													
E	ADD -02WW & CANCEL PL-1201-06	2/21/12																													
D	CHANGE WHITE TO 14mA	12/8/10																													
C	CHANGE DIA. TO 10.5 MAX.	11/10/09																													
B	CHANGE MOL TO 43.0 MAX.	1/22/09																													
A	CHANGE CHARTS & ADD NOTES	8/25/08																													
	ENGR. RELEASE & CANCEL PL-0603-02-1 TO -5	7/5/06																													
<p>REV. NO. DESCRIPTION/ECO NUMBER APPVD DATE</p>			<p>DRAWN BY L. WENGSTROM APPVD BY L.R. DATE 4/2/12</p>		<p>SIZE A</p>	<p>FSCM NO. 55335</p>	<p>DRAWING NO. LE-0603-02</p>	<p>TITLE LED FESTOON LAMP</p>																							
<p>- CAD DRAWING -</p> <p>MANUAL REVISIONS NOT PERMITTED</p>			<p>SCALE NONE</p>	<p>RELEASED DATE 7/5/06</p>	<p>REVISION DATE 4/2/12</p>	<p>REV. NO. F</p>	<p>SHEET 1 OF 1</p>																								