



Chipsmall Limited consists of a professional team with an average of over 10 year of expertise in the distribution of electronic components. Based in Hongkong, we have already established firm and mutual-benefit business relationships with customers from,Europe,America and south Asia,supplying obsolete and hard-to-find components to meet their specific needs.

With the principle of "Quality Parts,Customers Priority,Honest Operation,and Considerate Service",our business mainly focus on the distribution of electronic components. Line cards we deal with include Microchip,ALPS,ROHM,Xilinx,Pulse,ON,Everlight and Freescale. Main products comprise IC,Modules,Potentiometer,IC Socket,Relay,Connector.Our parts cover such applications as commercial,industrial, and automotives areas.

We are looking forward to setting up business relationship with you and hope to provide you with the best service and solution. Let us make a better world for our industry!



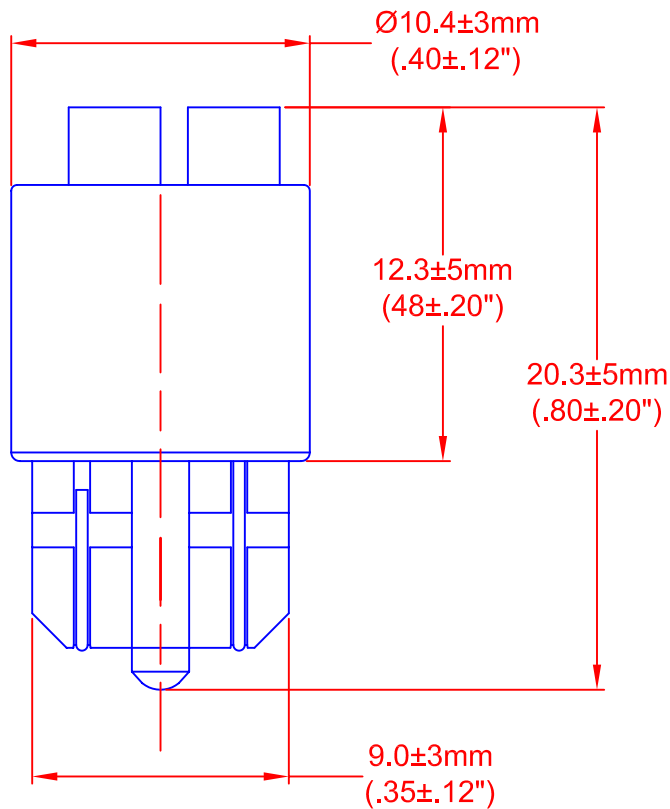
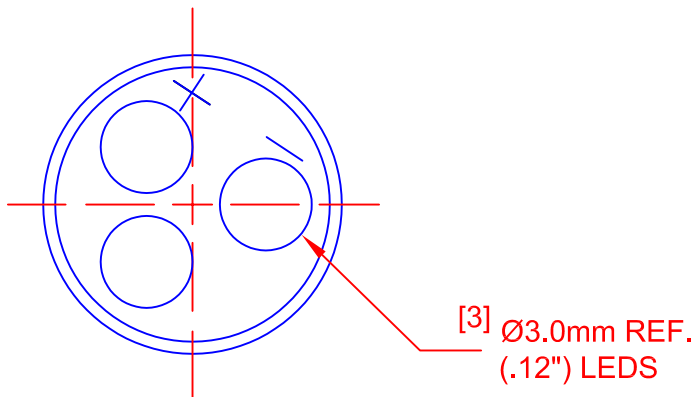
Contact us

Tel: +86-755-8981 8866 Fax: +86-755-8427 6832

Email & Skype: info@chipsmall.com Web: www.chipsmall.com

Address: A1208, Overseas Decoration Building, #122 Zhenhua RD., Futian, Shenzhen, China





TYPICAL ELECTRICAL & OPTICAL OPERATING CHARACTERISTICS

(Ta = 25 degree C)

PART NUMBER	EMITTING COLOR	AMPERAGE mA	VOLTAGE Vdc	LUMINOUS INTENSITY Lm	CRI %	CCT DEGREE K	VIEWING ANGLE DEGREES
LE-0903-02W	WHITE	15	12.0	22	79	6800	120

JKL PART NO.: LE-0903-02W

			METRIC THIRD ANGLE PROJECTION		DIMENSIONS ARE IN MILLIMETERS (INCH) TOLERANCE UNLESS OTHERWISE SPECIFIED 1 PL +/- REF. 2 PL +/- REF. ANGLE +/-		JKL COMPONENTS CORPORATION			
					TITLE 12V AC/DC 3 LEDS WEDGE BASE LAMP					
DRAWN BY L. WENGSTROM			APPVD BY L.R.		DATE 12/1/09		SIZE A	FSCM NO. 55335	DRAWING NO. LE-0903-02W	
- CAD DRAWING - MANUAL REVISIONS NOT PERMITTED			SCALE NONE		RELEASED DATE 12/1/09		REVISION DATE		REV. NO.	SHEET 1 OF 1
REV. NO.	DESCRIPTION/ECO NUMBER		APPVD DATE		RELEASED DATE		REVISION DATE		REV. NO.	SHEET
			12/1/09							
	RELEASED									