



Chipsmall Limited consists of a professional team with an average of over 10 year of expertise in the distribution of electronic components. Based in Hongkong, we have already established firm and mutual-benefit business relationships with customers from,Europe,America and south Asia,supplying obsolete and hard-to-find components to meet their specific needs.

With the principle of “Quality Parts,Customers Priority,Honest Operation,and Considerate Service”,our business mainly focus on the distribution of electronic components. Line cards we deal with include Microchip,ALPS,ROHM,Xilinx,Pulse,ON,Everlight and Freescale. Main products comprise IC,Modules,Potentiometer,IC Socket,Relay,Connector.Our parts cover such applications as commercial,industrial, and automotives areas.

We are looking forward to setting up business relationship with you and hope to provide you with the best service and solution. Let us make a better world for our industry!



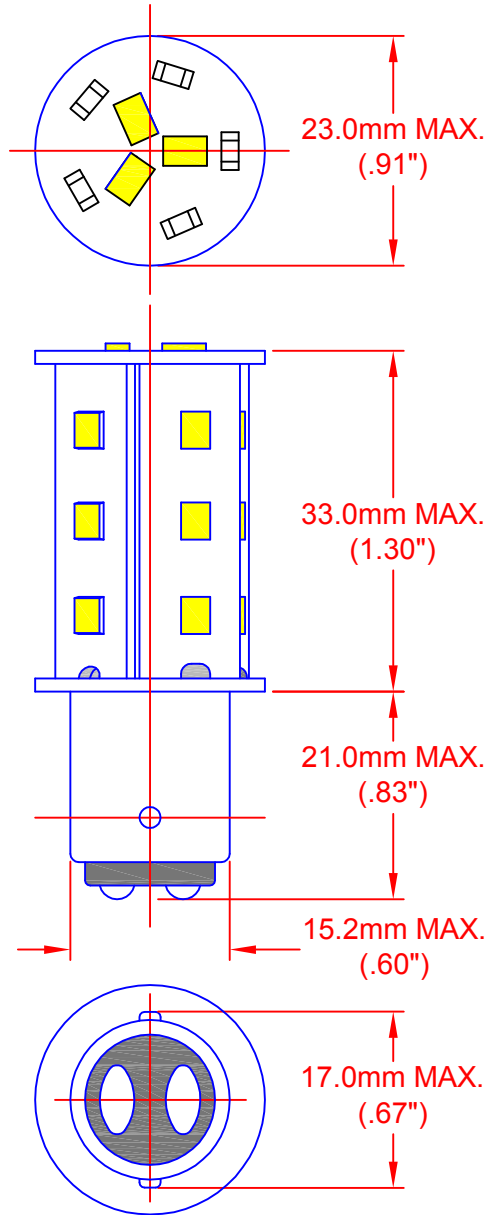
Contact us

Tel: +86-755-8981 8866 Fax: +86-755-8427 6832

Email & Skype: info@chipsmall.com Web: www.chipsmall.com

Address: A1208, Overseas Decoration Building, #122 Zhenhua RD., Futian, Shenzhen, China





FEATURES

- Double Bayonet Base - Non-Polarized
- Wide Input Voltage Range
- Low Power Usage
- Omni Directional Light Distribution
- Efficacy of 95Lm/Watt
- CRI > 80

VOLTAGE AC/DC			WATTS			ILLUMINANCE FLUX lm TYP	COLOR DEGREE K
MIN	NOM	MAX	MIN	NOM	MAX		
10	12	30	2.0	2.4	2.8	230	3000

JKL PART NUMBER: LE-BA15D-12WW

<p>THIRD ANGLE PROJECTION</p>			<p>DIMENSIONS ARE IN MILLIMETERS</p> <p>TOLERANCE UNLESS OTHERWISE SPECIFIED</p> <p>1 PL +/- REF.</p> <p>2 PL +/- REF.</p> <p>ANGLE +/-</p>		<p>JKL COMPONENTS CORPORATION</p>														
			<p>DRAWN BY L. WENGSTROM</p>		<p>APP'VD BY L.R.</p>		<p>DATE 11/6/15</p>		<p>SIZE A</p>		<p>FSCM NO. 55335</p>		<p>DRAWING NO. LE-BA15D-12WW</p>						
<p>RELEASED</p>			<p>11/6/15</p>		<p>- CAD DRAWING -</p> <p>MANUAL REVISIONS NOT PERMITTED</p>					<p>SCALE NONE</p>		<p>RELEASED DATE 11/6/15</p>		<p>REVISION DATE</p>		<p>REV. NO.</p>		<p>SHEET 1 OF 1</p>	
<p>REV. NO.</p>			<p>DESCRIPTION/ECO NUMBER</p>		<p>APP'VD DATE</p>														