



Chipsmall Limited consists of a professional team with an average of over 10 year of expertise in the distribution of electronic components. Based in Hongkong, we have already established firm and mutual-benefit business relationships with customers from,Europe,America and south Asia,supplying obsolete and hard-to-find components to meet their specific needs.

With the principle of "Quality Parts,Customers Priority,Honest Operation,and Considerate Service",our business mainly focus on the distribution of electronic components. Line cards we deal with include Microchip,ALPS,ROHM,Xilinx,Pulse,ON,Everlight and Freescale. Main products comprise IC,Modules,Potentiometer,IC Socket,Relay,Connector.Our parts cover such applications as commercial,industrial, and automotives areas.

We are looking forward to setting up business relationship with you and hope to provide you with the best service and solution. Let us make a better world for our industry!



## Contact us

Tel: +86-755-8981 8866 Fax: +86-755-8427 6832

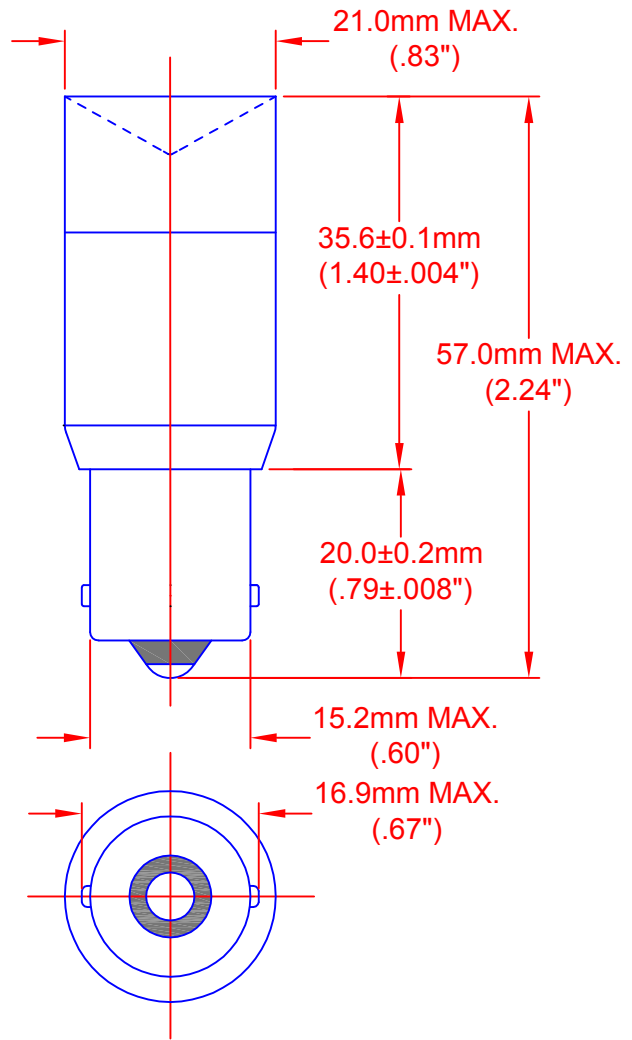
Email & Skype: info@chipsmall.com Web: www.chipsmall.com

Address: A1208, Overseas Decoration Building, #122 Zhenhua RD., Futian, Shenzhen, China



# FEATURES

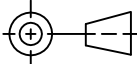
- 15S Bayonet Base - Non-Polarized
- Wide Input Voltage Range
  - 10 - 30V DC
  - 10 - 24V AC
- Low Power Usage
- Efficacy of 58Lm/Watt
- Viewing Angle 100°
- Color Temperature 3000°k
- CRI >80



## TYPICAL ELECTRICAL & OPTICAL OPERATING CHARACTERISTICS (Ta = 25 degree C)

JKL PART NUMBER	VOLTAGE AC/DC			WATTS			LUMINOUS INTENSITY Lm
	MIN	NOM	MAX	MIN	NOM	MAX	
LE-BA15S-12WW	10	12	30	1.75	2.2	2.5	130

JKL PART NUMBER: LE-BA15S-12WW

<b>METRIC</b>  THIRD ANGLE PROJECTION		DIMENSIONS ARE MILLIMETER/INCH TOLERANCE UNLESS OTHERWISE SPECIFIED 1 PL +/- REF 2 PL +/- REF ANGLE +/-		<b>JKL COMPONENTS CORPORATION</b> TITLE 15S SINGLE BAYONET BASE LED LAMP					
<b>C</b> CHANGE PART NO. ON CHART <b>B</b> ADD TO FEATURES AND CHANGE CHART <b>A</b> CHANGE VIEW ANGLE TO 100° RELEASED	4/30/16 2/6/16 1/31/16 11/10/15	DRAWN BY L. WENGSTROM	APPV'D BY L.R.	DATE 4/30/16	SIZE <b>A</b>	FSCM NO. <b>55335</b>	DRAWING NO. LE-BA15S-12WW		
REV. NO.	DESCRIPTION/ECO NUMBER	APPV'D DATE	- CAD DRAWING - MANUAL REVISIONS NOT PERMITTED		SCALE NONE	RELEASED DATE 11/10/15	REVISION DATE 4/30/16	REV. NO. <b>C</b>	SHEET 1 OF 1