



Chipsmall Limited consists of a professional team with an average of over 10 year of expertise in the distribution of electronic components. Based in Hongkong, we have already established firm and mutual-benefit business relationships with customers from,Europe,America and south Asia,supplying obsolete and hard-to-find components to meet their specific needs.

With the principle of “Quality Parts,Customers Priority,Honest Operation,and Considerate Service”,our business mainly focus on the distribution of electronic components. Line cards we deal with include Microchip,ALPS,ROHM,Xilinx,Pulse,ON,Everlight and Freescale. Main products comprise IC,Modules,Potentiometer,IC Socket,Relay,Connector.Our parts cover such applications as commercial,industrial, and automotives areas.

We are looking forward to setting up business relationship with you and hope to provide you with the best service and solution. Let us make a better world for our industry!



Contact us

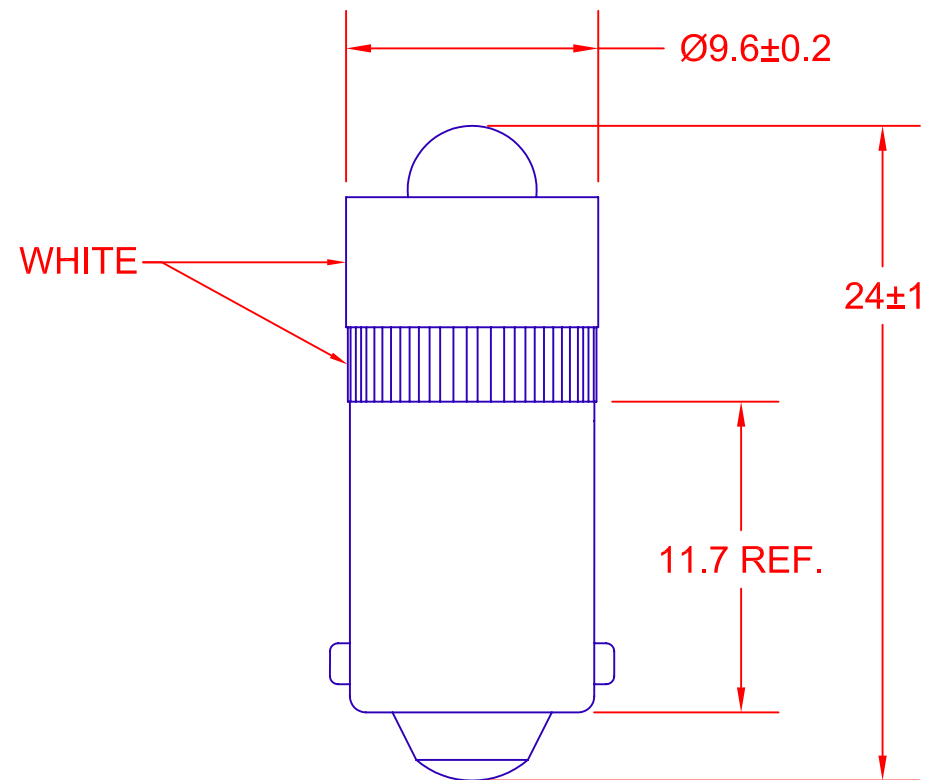
Tel: +86-755-8981 8866 Fax: +86-755-8427 6832

Email & Skype: info@chipsmall.com Web: www.chipsmall.com

Address: A1208, Overseas Decoration Building, #122 Zhenhua RD., Futian, Shenzhen, China



REV.	DESCRIPTION/ECO NO.	DATE
	RELEASE & CANCEL PL-0611-01	1/25/07
A	ADD X Y COORDINATES	3/19/07
B	CHNG COORD. TO COLOR TEMP	1/12/10
C	ADD FEATURES NOTE, CHNG TITLE	2/10/10



FEATURES

Non-Polarized
12V AC or DC Operation

ELECTRICAL OPTICAL CHARACTERISTICS

COLOR	AC/DC VOLTS	AMPS (mA)	LUMINOUS INTENSITY (mcd)	COLOR TEMPERATURE	50% POWER ANGLE (deg.)
COOL WHITE	12-14	20 (MAX.)	TYP. 7,000	6000K	30

JKL PART NO.: LE-BA9S-12W

<p>THIRD ANGLE PROJECTION</p>	DIMENSIONS ARE IN MILLIMETERS TOLERANCE UNLESS OTHERWISE SPECIFIED 1 PL +/- 0.2 2 PL +/- 0.20 ANGLE +/- 0		<h1>JKL COMPONENTS CORPORATION</h1>			
			TITLE 12V T-3 1/4 BAYONET BASED LED			
DRAWN BY L. WENGSTROM	APP'VD BY L.R.	DATE 2/10/10	SIZE A	FSCM NO. 55335	DRAWING NO. LE-BA9S-12W	
- CAD DRAWING - MANUAL REVISIONS NOT PERMITTED			SCALE NONE	RELEASED DATE 1/25/07	REVISION DATE 2/10/10	REV. NO. C SHEET 1 OF 1