



Chipsmall Limited consists of a professional team with an average of over 10 year of expertise in the distribution of electronic components. Based in Hongkong, we have already established firm and mutual-benefit business relationships with customers from,Europe,America and south Asia,supplying obsolete and hard-to-find components to meet their specific needs.

With the principle of “Quality Parts,Customers Priority,Honest Operation,and Considerate Service”,our business mainly focus on the distribution of electronic components. Line cards we deal with include Microchip,ALPS,ROHM,Xilinx,Pulse,ON,Everlight and Freescale. Main products comprise IC,Modules,Potentiometer,IC Socket,Relay,Connector.Our parts cover such applications as commercial,industrial, and automotives areas.

We are looking forward to setting up business relationship with you and hope to provide you with the best service and solution. Let us make a better world for our industry!



## Contact us

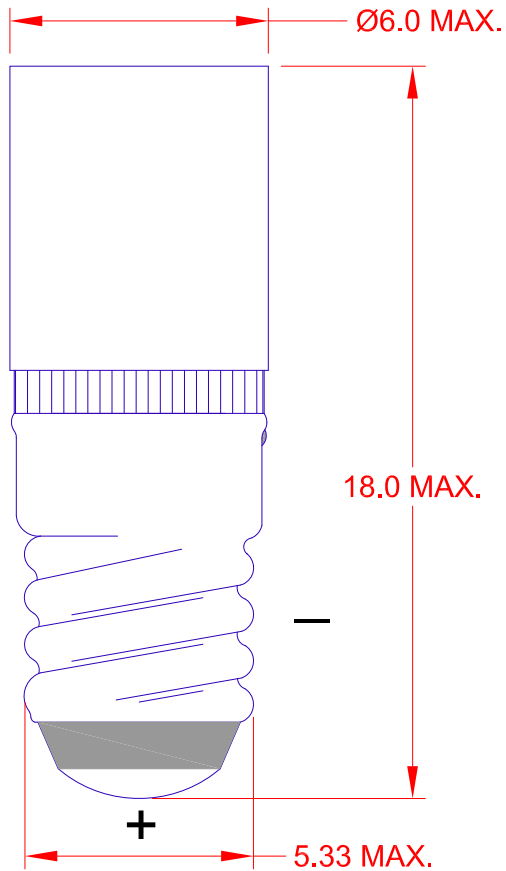
Tel: +86-755-8981 8866 Fax: +86-755-8427 6832

Email & Skype: info@chipsmall.com Web: www.chipsmall.com

Address: A1208, Overseas Decoration Building, #122 Zhenhua RD., Futian, Shenzhen, China



# T-1 3/4 MIDGET SCREW BASE LED



JKL PART NUMBER	EMITTING COLOR	AMPERAGE mA	VOLTAGE Vdc	LUMENS	VIEWING ANGLE
LE-MS-6W	WHITE	9.0	6	3	40°
LE-MS-12W	WHITE	30	12	9	40°
LE-MS-24W	WHITE	27	24	8.3	40°

OPERATING TEMPERATURE RANGE -30°C TO +85°C  
 STORAGE TEMPERATURE RANGE -40°C TO +100° C

**NOTES:**

- LED includes integrated diode for reverse voltage protection.
- LED includes integrated resistor for current limiting.

		<p>THIRD ANGLE PROJECTION</p>		<p>METRIC</p> <p>DIMENSIONS ARE IN MILLIMETERS</p> <p>TOLERANCE UNLESS OTHERWISE SPECIFIED</p> <p>1 PL +/- 0.2</p> <p>2 PL +/- 0.20</p> <p>ANGLE +/- 0</p>		<p><b>JKL</b> COMPONENTS CORPORATION</p>											
				<p>TITLE</p> <p>T-1 3/4 MIDGET SCREW BASE LED</p>													
<p>RELEASED</p>		<p>6/13/12</p>		<p>DRAWN BY</p> <p>L. WENGSTROM</p>		<p>APPVD BY</p> <p>L.R.</p>		<p>DATE</p> <p>6/13/12</p>		<p>SIZE</p> <p><b>A</b></p>		<p>FSCM NO.</p> <p><b>55335</b></p>		<p>DRAWING NO.</p> <p>LE-MS MULTI</p>			
<p>REV. NO.</p>		<p>DESCRIPTION/ECO NUMBER</p>		<p>APPVD DATE</p>		<p>- CAD DRAWING -</p> <p>MANUAL REVISIONS NOT PERMITTED</p>		<p>SCALE</p> <p>NONE</p>		<p>RELEASED DATE</p> <p>6/13/12</p>		<p>REVISION DATE</p>		<p>REV. NO.</p>		<p>SHEET</p> <p>1 OF 1</p>	