



Chipsmall Limited consists of a professional team with an average of over 10 year of expertise in the distribution of electronic components. Based in Hongkong, we have already established firm and mutual-benefit business relationships with customers from,Europe,America and south Asia,supplying obsolete and hard-to-find components to meet their specific needs.

With the principle of “Quality Parts,Customers Priority,Honest Operation,and Considerate Service”,our business mainly focus on the distribution of electronic components. Line cards we deal with include Microchip,ALPS,ROHM,Xilinx,Pulse,ON,Everlight and Freescale. Main products comprise IC,Modules,Potentiometer,IC Socket,Relay,Connector.Our parts cover such applications as commercial,industrial, and automotives areas.

We are looking forward to setting up business relationship with you and hope to provide you with the best service and solution. Let us make a better world for our industry!



## Contact us

Tel: +86-755-8981 8866 Fax: +86-755-8427 6832

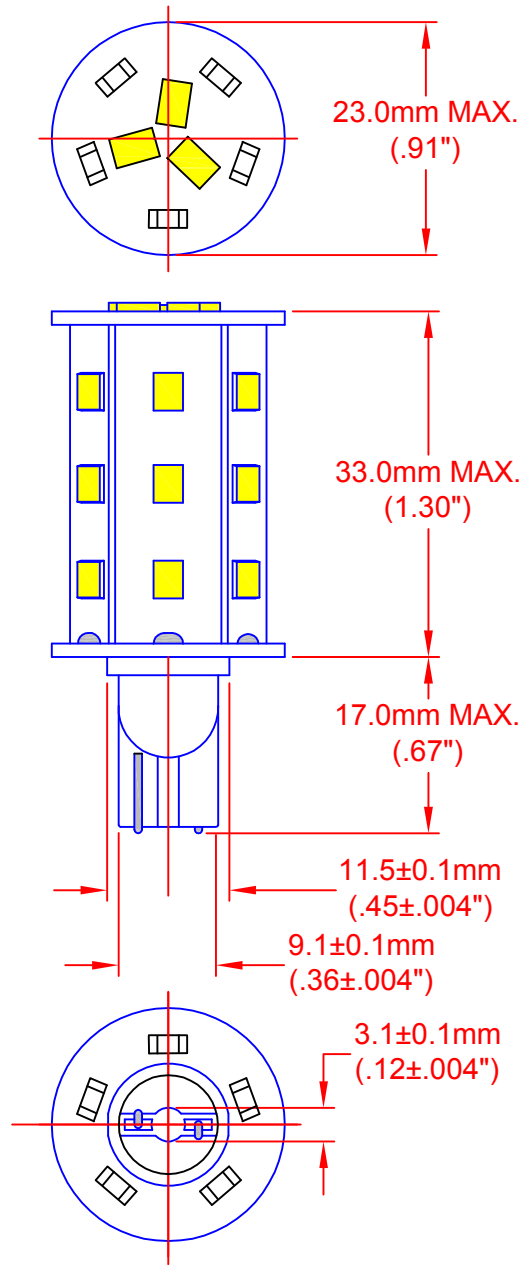
Email & Skype: info@chipsmall.com Web: www.chipsmall.com

Address: A1208, Overseas Decoration Building, #122 Zhenhua RD., Futian, Shenzhen, China



# FEATURES

- T-3 1/4 WEDGE BASE - NON-POLARIZED
- WIDE INPUT VOLTAGE RANGE
- LOW POWER USAGE
- OMNI DIRECTIONAL LIGHT DISTRIBUTION
- EFFICACY OF 83 Lm/WATT
- CRI > 80
- COLOR TEMPERATURE 3000°K



JKL PART NUMBER	VOLTAGE AC/DC			WATTS			ILLUMINANCE FLUX lm TYP
	MIN	NOM	MAX	MIN	NOM	MAX	
LE-WB18-12WW	10	12	30	2.0	2.4	2.6	200

JKL PART NUMBER: LE-WB18-12WW

		 THIRD ANGLE PROJECTION		DIMENSIONS ARE IN MILLIMETERS TOLERANCE UNLESS OTHERWISE SPECIFIED 1 PL +/- 0.2 2 PL +/- 0.20 ANGLE +/-		<b>JKL</b> COMPONENTS CORPORATION				
						TITLE <b>T-3 1/4 WEDGE BASE MULTI CHIP LED LAMP</b>				
<b>A</b>	ADD COLOR TEMP TO FEATURES	2/6/16	DRAWN BY	APPV'D BY	DATE	SIZE	FSCM NO.	DRAWING NO.		
	RELEASED	11/8/15	L. WENGSTROM	L.R.	2/6/16	<b>A</b>	<b>55335</b>	LE-WB18-12WW		
REV. NO.	DESCRIPTION/ECO NUMBER	APPV'D DATE	- CAD DRAWING - MANUAL REVISIONS NOT PERMITTED			SCALE	RELEASED DATE	REVISION DATE	REV. NO.	SHEET
						NONE	11/8/15	2/6/16	<b>A</b>	1 OF 1