



Chipsmall Limited consists of a professional team with an average of over 10 year of expertise in the distribution of electronic components. Based in Hongkong, we have already established firm and mutual-benefit business relationships with customers from,Europe,America and south Asia,supplying obsolete and hard-to-find components to meet their specific needs.

With the principle of “Quality Parts,Customers Priority,Honest Operation,and Considerate Service”,our business mainly focus on the distribution of electronic components. Line cards we deal with include Microchip,ALPS,ROHM,Xilinx,Pulse,ON,Everlight and Freescale. Main products comprise IC,Modules,Potentiometer,IC Socket,Relay,Connector.Our parts cover such applications as commercial,industrial, and automotives areas.

We are looking forward to setting up business relationship with you and hope to provide you with the best service and solution. Let us make a better world for our industry!



Contact us

Tel: +86-755-8981 8866 Fax: +86-755-8427 6832

Email & Skype: info@chipsmall.com Web: www.chipsmall.com

Address: A1208, Overseas Decoration Building, #122 Zhenhua RD., Futian, Shenzhen, China



PRODUCT PREVIEW

THE VE790 SERIES PROVIDES A TOTAL LINE CARD SOLUTION THAT GIVES CUSTOMERS TOTAL FLEXIBILITY IN DESIGNS RANGING FROM INTERNAL OR EXTERNAL RINGING TO CALL CONTROL AGGREGATION AND INTEGRATED LINE TESTING.

The VE790 VoiceEdge™ VE790 Series is a high-performance, highly programmable integrated voice chip set that performs all the functions necessary to create a 2-wire, twisted-pair telephone interface from any broadband digital source. The VE790 Series includes 2-, 4-, and 8-channel programmable codecs along with short, medium and long loop length SLIC devices that together operate with minimal external components and include software to provide a complete system solution.

Programmability and integrated line testing when used with the optional Le79112 VCP I or Le79114 VCP II device, make the Ve790 Series the most flexible chip set available.



Not actual size

| | | Line Testing | # of Channels | Programmable | Application | Supply Voltage | Ringing |
|--------|-----------|--------------|---------------|--------------|-------------------------------|-------------------------------|----------|
| SLICs | Le79231 | Yes | 1 | Via SLAC | DLC, CO, IVD, FTTX, DSLAM,PBX | -99V | NA |
| | Le79232 | Yes | 2 | | | -72V | External |
| | Le79242 | Yes | 2 | | | -115V | Internal |
| | Le79252 | Yes | 2 | | | Positive and Negative Battery | Internal |
| | Le79R241 | Yes | 1 | | | -99V | Internal |
| Codecs | Le792231 | Yes | 2 | Yes | CPE, ONT, FTTX | 3.3V | NA |
| | Le792288 | Yes | 8 | Yes | DLC, CO, IVD, FTTx, DSLAM,PBX | 3.3V | NA |
| | Le79Q2281 | Possible | 4 | Yes | | 3.3V | NA |
| | Le79Q2284 | Yes | 4 | Yes | | 3.3V | NA |
| VCPs | Le79112 | Yes | 32 | Yes | DLC, CO, IVD, DSLAM,PBX | 3.3V | |
| | Le79114 | Yes | 64 | Yes | | 3.3V | |

Features

- ➔ Complete system solution: SLAC device, SLIC device, LCAS device, VCP, integrated test firmware, and regional coefficient generation
- ➔ Supports comprehensive "Carrier Class" self and loop testability
- ➔ Control aggregation with the VCP
- ➔ Enables high system Integration and implementation density
- ➔ Available support tools
- ➔ Standards: compliant with all relevant ANSI and ETSI standards, including GR- 822, GR-909, and GR-844 line measurement requirements

Benefits

- ➔ Complete BORSCHT functionality in one chip set
- ➔ Provide early detection of existing or future telephone line or equipment failures and line performance characteristics
- ➔ Eliminates unnecessary truck rolls
- ➔ Carrier class line testing for remote applications
- ➔ Off-loads real time control and management from the microprocessor for up to 32 channels allowing the use of a lower cost/ power host processor
- ➔ Integrated ringing and test eliminates need for external relays
- ➔ Self diagnostics & system testing lower cost

Applications

- ➔ Central Office (CO)
- ➔ Digital Loop Carrier (DLC)
- ➔ Integrated Voice and Data (IVD)
- ➔ Voice Enabled DSLAM
- ➔ PBX / KTS
- ➔ Pair Gain

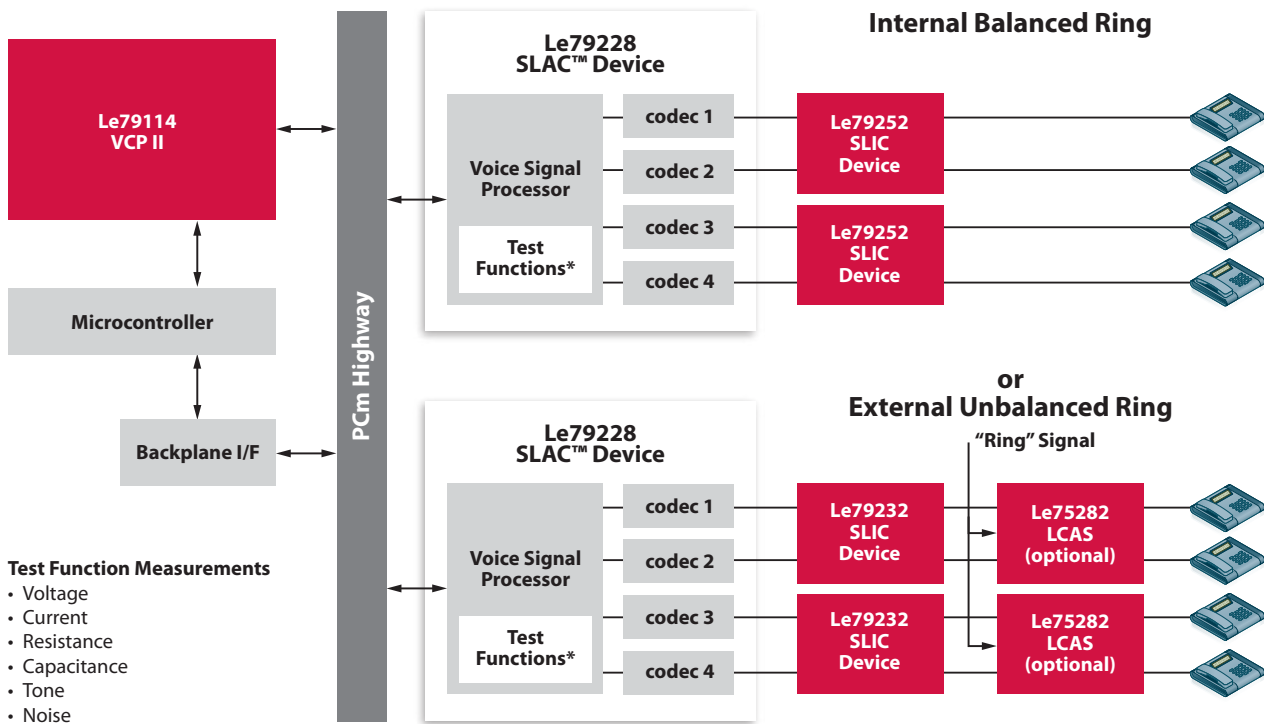
VE790 SERIES

APPLICATION

Legerity provides a world-class suite of development tools to facilitate the integration of voice into end-user applications and to significantly reduce design time.

Legerity's Software Development Kit (SDK) is a package of software tools with optional hardware tools that can be designed using Legerity's voice solutions.

Our VoicePath™ Application Programming Interface II (VP APIII) provides a standard software interface for controlling, supervising, and performing line testing using Legerity's voice termination devices.



Information relating to products and services furnished herein by Zarlink Semiconductor Inc. or its subsidiaries is believed to be reliable. The products, their specifications, services and other information appearing in this publication are subject to change by Zarlink without notice.

ZARLINK, ZL, and the Zarlink logo are trademarks of Zarlink Semiconductor Inc.

© 2010, Zarlink Semiconductor Inc. All Rights Reserved. PN 10ZS162



www.ZARLINK.com