



Chipsmall Limited consists of a professional team with an average of over 10 year of expertise in the distribution of electronic components. Based in Hongkong, we have already established firm and mutual-benefit business relationships with customers from,Europe,America and south Asia,supplying obsolete and hard-to-find components to meet their specific needs.

With the principle of “Quality Parts,Customers Priority,Honest Operation,and Considerate Service”,our business mainly focus on the distribution of electronic components. Line cards we deal with include Microchip,ALPS,ROHM,Xilinx,Pulse,ON,Everlight and Freescale. Main products comprise IC,Modules,Potentiometer,IC Socket,Relay,Connector.Our parts cover such applications as commercial,industrial, and automotives areas.

We are looking forward to setting up business relationship with you and hope to provide you with the best service and solution. Let us make a better world for our industry!



Contact us

Tel: +86-755-8981 8866 Fax: +86-755-8427 6832

Email & Skype: info@chipsmall.com Web: www.chipsmall.com

Address: A1208, Overseas Decoration Building, #122 Zhenhua RD., Futian, Shenzhen, China



Le87282

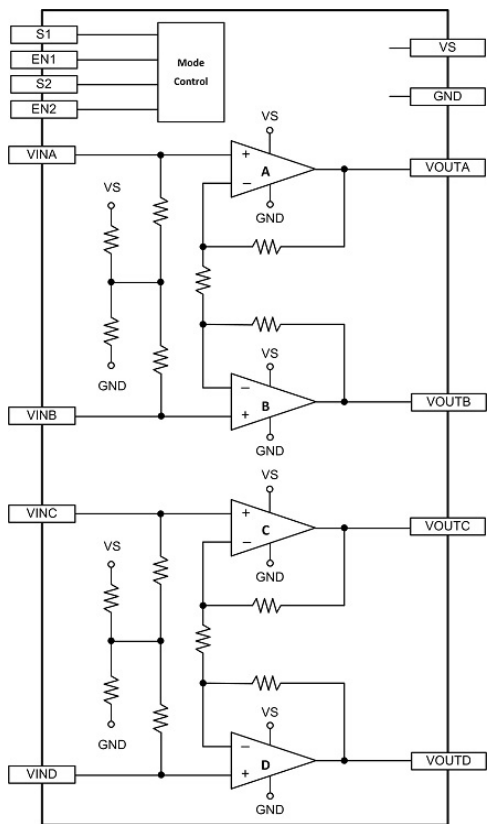
G.Fast Dual Channel Line Driver

The Le87282 is a dual channel differential amplifier designed to drive G.Fast transmission signals as well as VDSL2 and ADSL2+ signals with very low power dissipation. The Le87282 contains two pairs of wideband amplifiers designed with Microsemi's HV15 Bipolar SOI process for low power consumption.

The line driver gain is fixed internally. The amplifiers are powered from a single supply.

The device can be programmed to one-of-three preset Bias levels or to impedance controlled Disable or Standby states. The control pins respond to input levels that can be generated with a standard tri-state GPIO.

Simplified Block Diagram



Features & Benefits

- Supports high frequency G.Fast transmission
- Supports VDSL2 and ADSL2+ operation
- Very low power dissipation
 - Class AB operation
- 5 programmable states
- No external gain resistors required
- Small footprint package
 - 28-pin (4 mm x 5 mm) QFN
- RoHS compliant