



Chipsmall Limited consists of a professional team with an average of over 10 year of expertise in the distribution of electronic components. Based in Hongkong, we have already established firm and mutual-benefit business relationships with customers from,Europe,America and south Asia,supplying obsolete and hard-to-find components to meet their specific needs.

With the principle of “Quality Parts,Customers Priority,Honest Operation,and Considerate Service”,our business mainly focus on the distribution of electronic components. Line cards we deal with include Microchip,ALPS,ROHM,Xilinx,Pulse,ON,Everlight and Freescale. Main products comprise IC,Modules,Potentiometer,IC Socket,Relay,Connector.Our parts cover such applications as commercial,industrial, and automotives areas.

We are looking forward to setting up business relationship with you and hope to provide you with the best service and solution. Let us make a better world for our industry!



Contact us

Tel: +86-755-8981 8866 Fax: +86-755-8427 6832

Email & Skype: info@chipsmall.com Web: www.chipsmall.com

Address: A1208, Overseas Decoration Building, #122 Zhenhua RD., Futian, Shenzhen, China

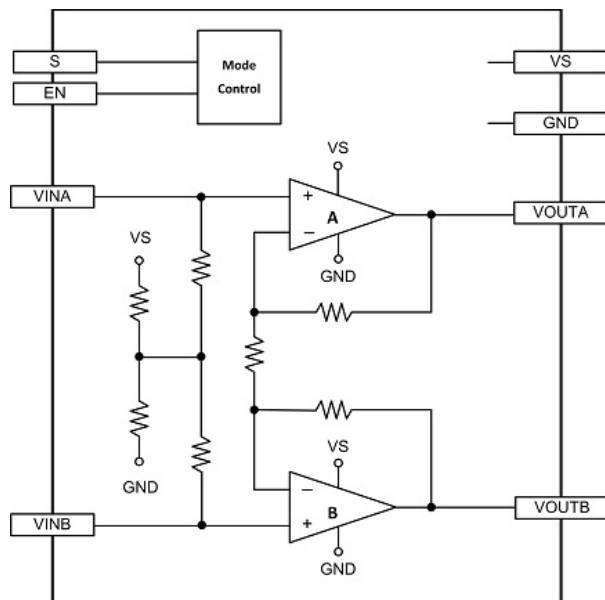


Le87411

PLC Single Channel Class AB Line Driver with 100mA Current Driver Output

The Le87411 is a single channel differential amplifier designed to work in Home Plug Alliance HPAV2 systems with very low power dissipation. The Le87411 contains a pair of wideband amplifiers designed with Microsemi's HV15 Bipolar SOI process for low power consumption. The line driver gain is fixed internally. The amplifiers are powered from a single supply. The device can be programmed to one of three preset bias levels or to impedance controlled Disable or Standby states. The control pins respond to input levels that can be generated with a standard tri-state GPIO.

Simplified Block Diagram



Features & Benefits

- Small 16-pin, 4x4 mm QFN Package
- Very low Power Operation
 - Class AB Operation
- Five programmable states
- No external gain resistors required
- RoHS compliant