



Chipsmall Limited consists of a professional team with an average of over 10 year of expertise in the distribution of electronic components. Based in Hongkong, we have already established firm and mutual-benefit business relationships with customers from,Europe,America and south Asia,supplying obsolete and hard-to-find components to meet their specific needs.

With the principle of "Quality Parts,Customers Priority,Honest Operation,and Considerate Service",our business mainly focus on the distribution of electronic components. Line cards we deal with include Microchip,ALPS,ROHM,Xilinx,Pulse,ON,Everlight and Freescale. Main products comprise IC,Modules,Potentiometer,IC Socket,Relay,Connector.Our parts cover such applications as commercial,industrial, and automotives areas.

We are looking forward to setting up business relationship with you and hope to provide you with the best service and solution. Let us make a better world for our industry!



Contact us

Tel: +86-755-8981 8866 Fax: +86-755-8427 6832

Email & Skype: info@chipsmall.com Web: www.chipsmall.com

Address: A1208, Overseas Decoration Building, #122 Zhenhua RD., Futian, Shenzhen, China

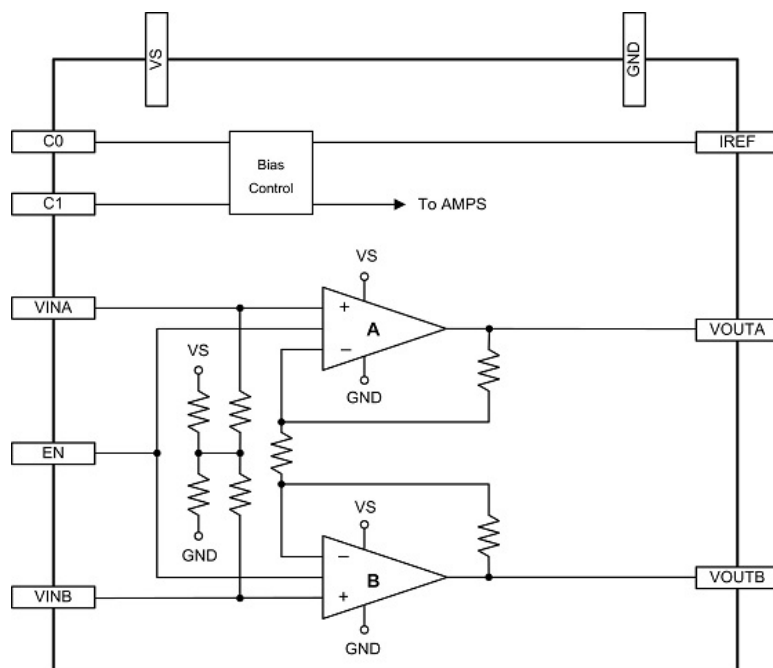


Le87501

PLC Single Channel Line Driver BD870 Series

The Le87501 is a single channel line driver designed to work in Home Plug Alliance HPAV2 systems. When enabled, the operation can be set to Full, 90% or 80% power. The Le87501 delivers superior performance and can drive a line impedance of 100 Ω down to 12 Ω through a proper transformer. In addition, the Le87501 features a Standby state which forces the driver into a long-term sleep mode.

Simplified Block Diagram



Features & Benefits

- Small 16-pin, 4x4 mm QFN Package
- Low Power Operation
- Class AB Operation
- Enable/Disable Control
- Capable of Driving Line Impedance Between 12 Ω to 100 Ω
- Operation to 86 MHz
- RoHS compliant