



Chipsmall Limited consists of a professional team with an average of over 10 year of expertise in the distribution of electronic components. Based in Hongkong, we have already established firm and mutual-benefit business relationships with customers from,Europe,America and south Asia,supplying obsolete and hard-to-find components to meet their specific needs.

With the principle of “Quality Parts,Customers Priority,Honest Operation,and Considerate Service”,our business mainly focus on the distribution of electronic components. Line cards we deal with include Microchip,ALPS,ROHM,Xilinx,Pulse,ON,Everlight and Freescale. Main products comprise IC,Modules,Potentiometer,IC Socket,Relay,Connector.Our parts cover such applications as commercial,industrial, and automotives areas.

We are looking forward to setting up business relationship with you and hope to provide you with the best service and solution. Let us make a better world for our industry!



Contact us

Tel: +86-755-8981 8866 Fax: +86-755-8427 6832

Email & Skype: info@chipsmall.com Web: www.chipsmall.com

Address: A1208, Overseas Decoration Building, #122 Zhenhua RD., Futian, Shenzhen, China



Electrical Specifications

Input Voltage Range:	100-277 Vac input, 120-230 Vac phase dimming only
Frequency:	50/60 Hz Nom. (47-63 Hz Min/Max)
Power Factor:	>0.90 @ full load, 100V through 277V without dimmer
Inrush Current:	<10 Amps max @ 120Vac, cold start 25°C
Input Current (Max):	0.25 A max 120Vac 60Hz, max load
Maximum Power:	25W
Current Regulation:	± 5% Over input line variation
Load Regulation:	± 8%
THD:	<20% @ full load, 120V
Typical Efficiency	84% at 120Vac

Protections

Over-voltage	Output
Over-current	Output
Short Circuit	Auto Recovery

Environmental Specifications

Max Case Life Temp: (5 year warranty)	70°C
Maximum Case Temp (UL):	90°C
Minimum Starting Temp:	-30°C
Storage Temperature:	-40°C to +85°C
Humidity:	5% to 95%
Cooling:	Convection
Vibration Frequency:	5 to 55 Hz/2g, 30 minutes
Sound Rating:	Class A
Impact Resistance:	1g/s
MTBF:	402,000 Hours @ full load per MIL-217F Notice 2
EMC:	FCC 47CFR Part 15 Class B compliant
Weight:	7.0 oz. (198 g)



ELV Dimming Models

Model	Output Voltage Range (Vdc)	Output Current (mA ±4%)	Max. Output Power (W)	Typical Efficiency
LED25W-72-C0350-TE	36-72	350	25	86%
LED25W-48-C0520-TE	24-48	520	25	85%
LED25W-36-C0700-TE	18-36	700	25	84%
LED25W-24-C1040-TE	12-24	1040	25	83%

For use with electronic low voltage dimmers

INC Dimming Models

Model	Output Voltage Range (Vdc)	Output Current (mA ±4%)	Max. Output Power (W)	Typical Efficiency
LED25W-72-C0350-LE	36-72	350	25	86%
LED25W-48-C0520-LE	24-48	520	25	85%
LED25W-36-C0700-LE	18-36	700	25	84%
LED25W-24-C1040-LE	12-24	1040	25	83%

For use with standard incandescent dimmers

Class 2: US/Canada

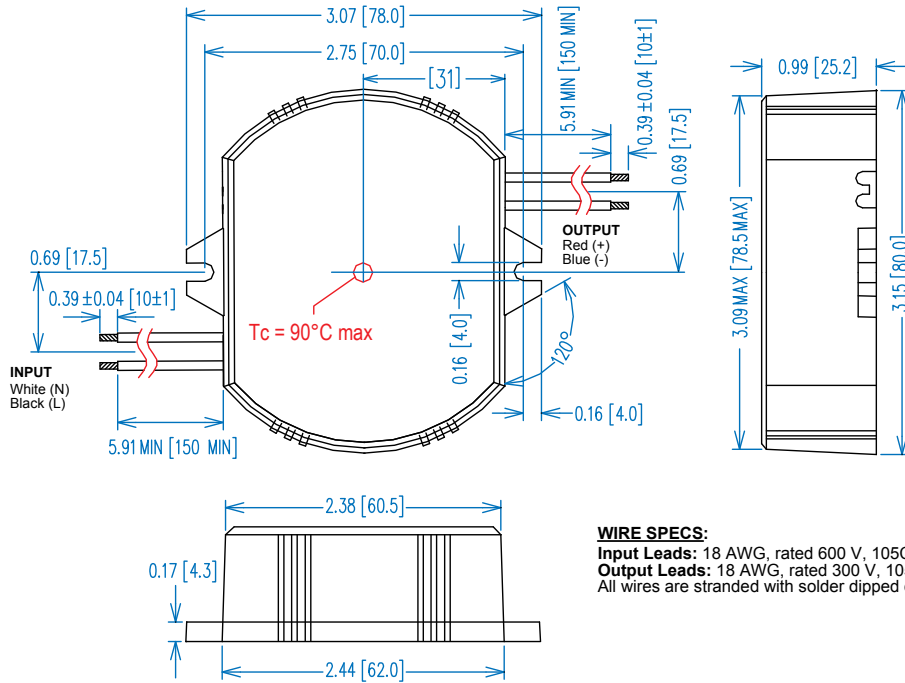
Safety & EMC Compliance

UL/CUL	UL8750, CSA-C22.2
CE	EN 61347
FCC Part 15	Class B
EN61000-3-2	
EN61000-3-3	Class C

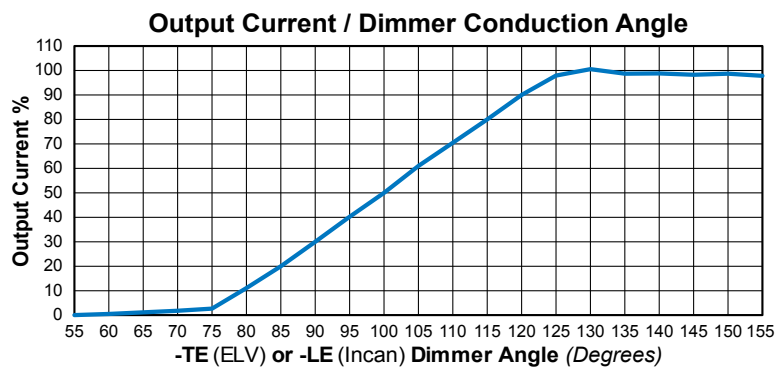
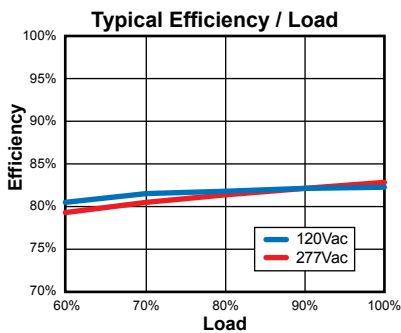
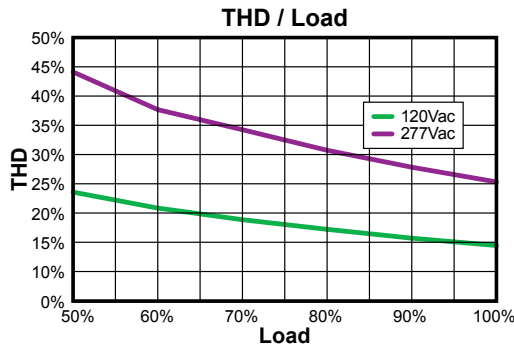
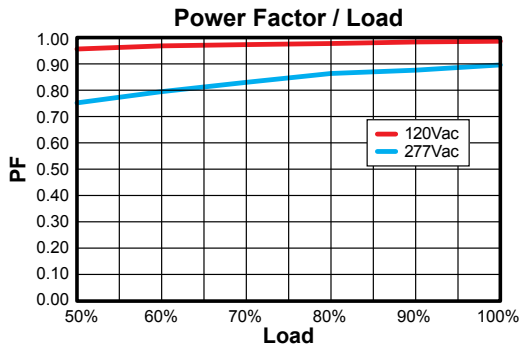
- Total Power: 25 Watts
- Input Voltage: 100-277 Vac Nom.
- UL Dry & Damp Location Rated
- IP66 & NEMA4
- 100-10% Dimmable on either ELV or Incan. dimmers
- Black Magic Thermal Advantage™ Plastic Housing
- High Power Factor

Note:
LED drivers are designed and intended to operate LED loads only. Non-LED loading may be outside the specified design limits of our LED drivers, and therefore cannot be covered by any warranty. If you desire to use our LED drivers to operate non-LED loads please contact us to discuss compatibility.

Dimensions



Power Characteristics



UL Conditions of Acceptability

See website for additional information